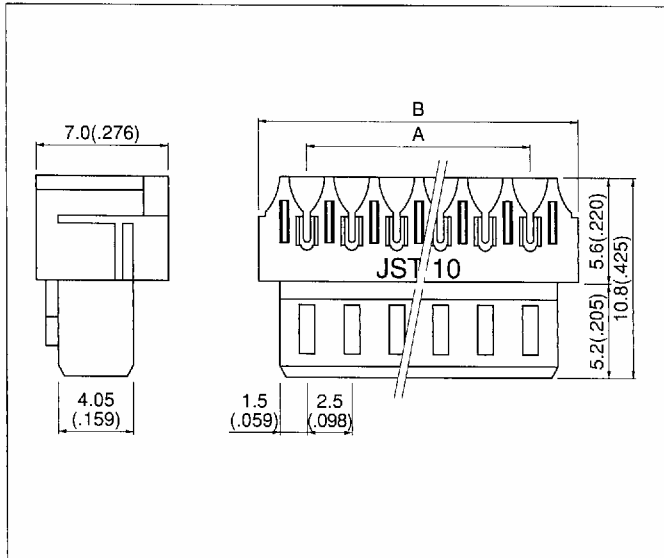


NR CONNECTOR

Receptacle



Circuits	Model No.			Dimensions mm(in.)		Q'ty / box
	AWG #28 Green	AWG #26 Natural (white)	AWG #24 Black	A	B	
2	02NR-E8M	02NR-E6S	02NR-E4K	2.5(.098)	7.5(.295)	1,000
3	03NR-E8M	03NR-E6S	03NR-E4K	5.0(.197)	10.0(.394)	1,000
4	04NR-E8M	04NR-E6S	04NR-E4K	7.5(.295)	12.5(.492)	1,000
5	05NR-E8M	05NR-E6S	05NR-E4K	10.0(.394)	15.0(.591)	500
6	06NR-E8M	06NR-E6S	06NR-E4K	12.5(.492)	17.5(.689)	500
7	07NR-E8M	07NR-E6S	07NR-E4K	15.0(.591)	20.0(.787)	500
8	08NR-E8M	08NR-E6S	08NR-E4K	17.5(.689)	22.5(.886)	500
9	09NR-E8M	09NR-E6S	09NR-E4K	20.0(.787)	25.0(.984)	250
10	10NR-E8M	10NR-E6S	10NR-E4K	22.5(.886)	27.5(1.083)	250
12	12NR-E8M	12NR-E6S	12NR-E4K	27.5(1.083)	32.5(1.280)	200
13	13NR-E8M	13NR-E6S	13NR-E4K	30.0(1.181)	35.0(1.378)	200

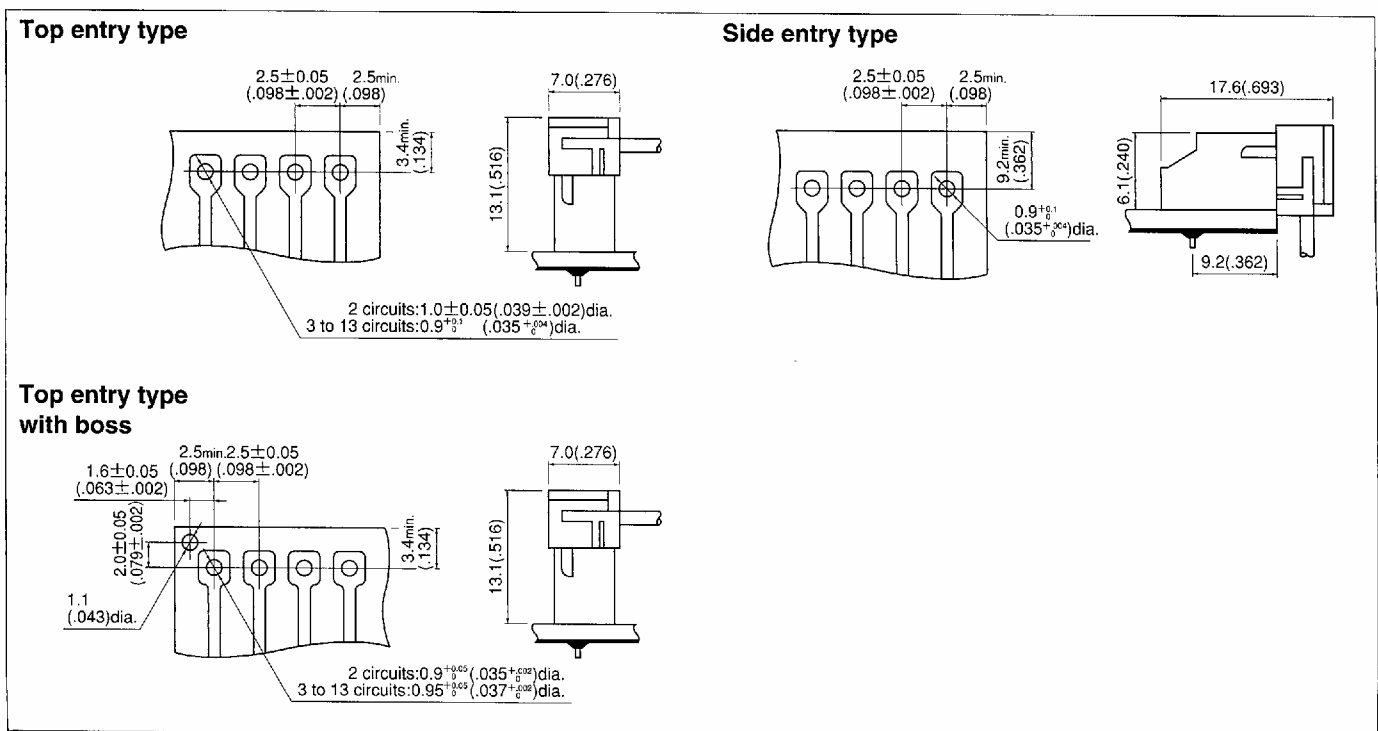
Material and Finish

Contact: Phosphor bronze tin-plated
Housing: Nylon 66, UL94V-0

Shrouded header

The shrouded headers are interchangeable with the XH crimp style connectors, the BR and NRD insulation displacement connectors, and the JQ board-to-board connectors (see pages 27, 140, 144).

PC board layout (viewed from soldering side) and Assembly layout



Note:

1. Tolerances are non-cumulative: $\pm 0.05\text{mm}$ ($\pm .002''$) for all centers.
2. Hole dimensions differ according to the kind of PC board and piercing method. If printed circuit boards are made of hard material such as FR-4 are used, the hole dimensions should be larger. The dimensions above should serve as a guideline.
Contact JST for details.

JST

IDC

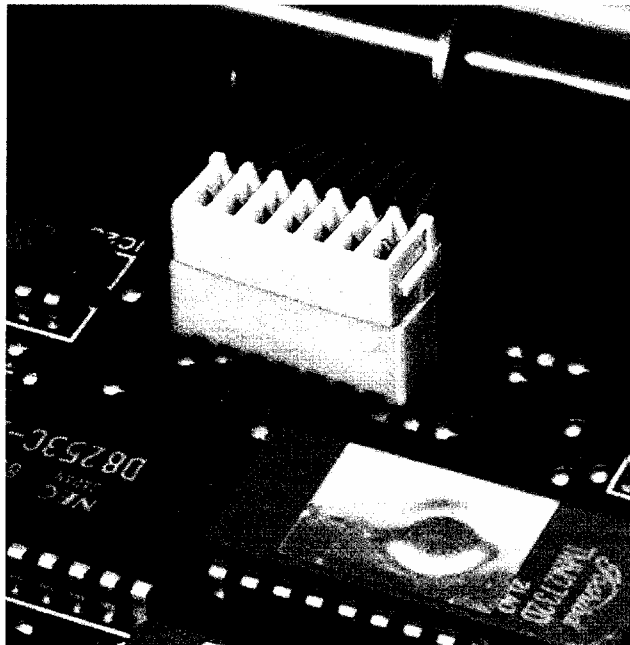
2.5mm
(.098") pitch

NR CONNECTOR

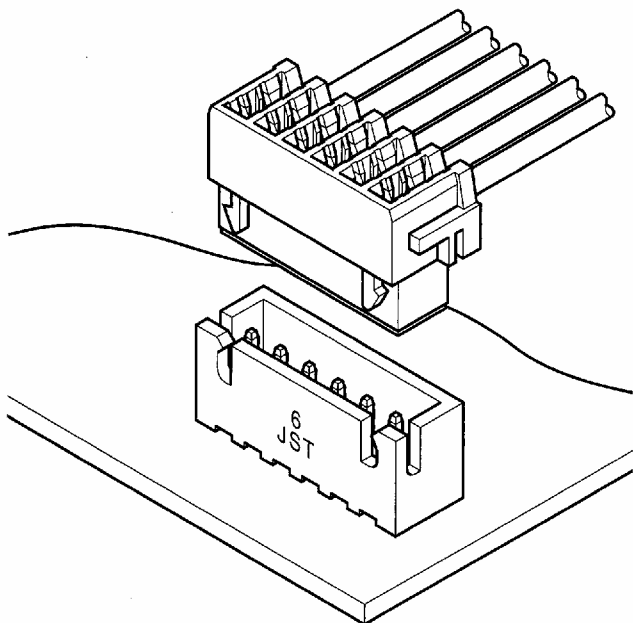
Disconnectable Insulation displacement connectors

Emboss Tape

Radial Tape



The NR connector is our first insulation displacement connector designed for printed circuit boards and has a justified reputation for reliability. The receptacle is color-coded according to the applicable wire size (AWG #28 green, AWG #26 white and AWG #24 black) and accepts both discrete wires and ribbon cables.



Features

• Low profile

The connector has a low profile with a mounting height of 13.1mm (.516").

• Twin U-slot insulation displacement section

The insulation displacement section connected to each wire consists of two tin-plated slots (twin U-slots). This redundancy ensures reliable connection even under adverse circumstances.

• Strain relief

The housing has a strain relief feature that supports and protects the insulation displacement connection from vibration, shock, and bending.

• Interchangeability

The shrouded header is interchangeable with the XH connectors (crimp style), the NRD and the BR connectors (IDC style), and the JQ connectors (board-to-board style).

Specifications

- Current rating: 2.0A AC,DC
 - Voltage rating: 250V AC,DC
 - Temperature range: -25°C to +85°C
(including temperature rise in applying electrical current)
 - Contact resistance: Initial value/10mΩ max.
After environmental testing/20mΩ max.
 - Insulation resistance: 1,000MΩ min.
 - Withstanding voltage: 1,500V AC/minute
 - Applicable wire: AWG #28, #26, #24
UL1007(Contact JST for details regarding other UL wires.)
Conductor/7 strands, tin-coated
Insulation O.D./1.1 to 1.5mm(.043" to .059")
 - Applicable PC board thickness: 1.6mm(.063")
- * Contact JST for details.

Standards

Recognized file No. E60389

Certified file No. LR20812

File No. R85272 (conforms to DIN/VDE 0627)