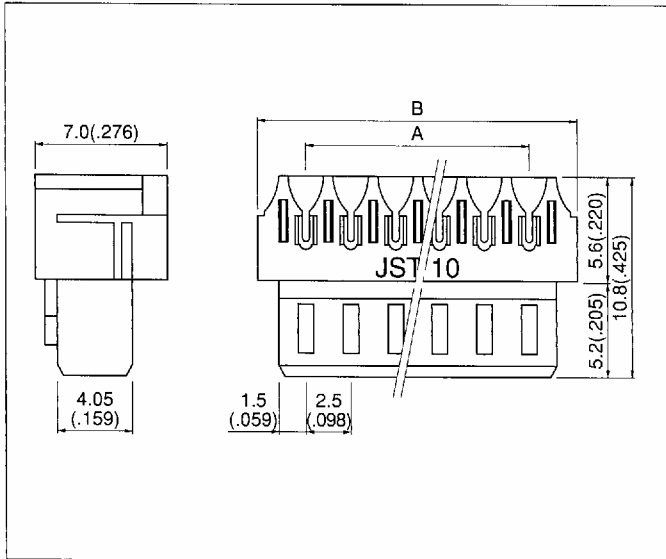


## Receptacle



Circuits	Model No.			Dimensions mm(in.)		Q'ty / box
	AWG #28 Green	AWG #26 Natural (white)	AWG #24 Black	A	B	
2	02NR-E8M	02NR-E6S	02NR-E4K	2.5( .098)	7.5( .295)	1,000
3	03NR-E8M	03NR-E6S	03NR-E4K	5.0( .197)	10.0( .394)	1,000
4	04NR-E8M	04NR-E6S	04NR-E4K	7.5( .295)	12.5( .492)	1,000
5	05NR-E8M	05NR-E6S	05NR-E4K	10.0( .394)	15.0( .591)	500
6	06NR-E8M	06NR-E6S	06NR-E4K	12.5( .492)	17.5( .689)	500
7	07NR-E8M	07NR-E6S	07NR-E4K	15.0( .591)	20.0( .787)	500
8	08NR-E8M	08NR-E6S	08NR-E4K	17.5( .689)	22.5( .886)	500
9	09NR-E8M	09NR-E6S	09NR-E4K	20.0( .787)	25.0( .984)	250
10	10NR-E8M	10NR-E6S	10NR-E4K	22.5( .886)	27.5(1.083)	250
12	12NR-E8M	12NR-E6S	12NR-E4K	27.5(1.083)	32.5(1.280)	200
13	13NR-E8M	13NR-E6S	13NR-E4K	30.0(1.181)	35.0(1.378)	200

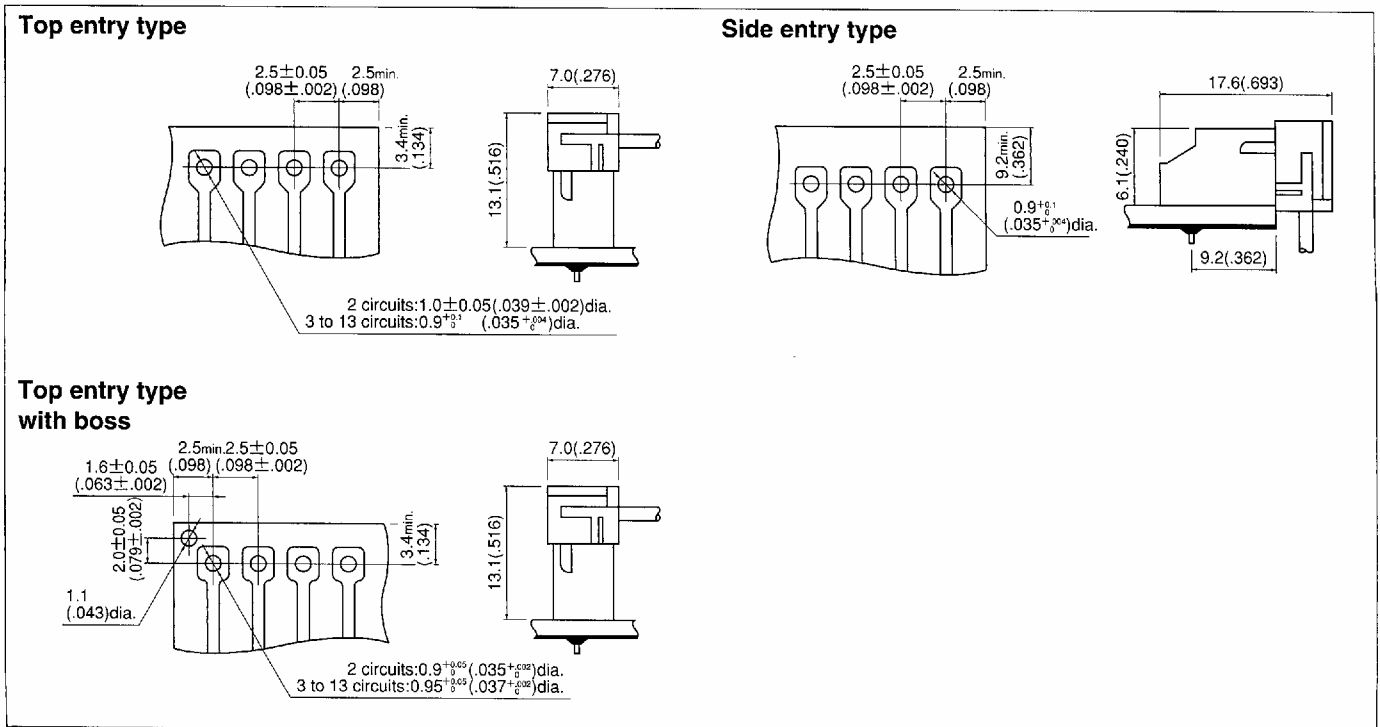
### Material and Finish

Contact: Phosphor bronze tin-plated  
Housing: Nylon 66, UL94V-0

## Shrouded header

The shrouded headers are interchangeable with the XH crimp style connectors, the BR and NRD insulation displacement connectors, and the JQ board-to-board connectors (see pages 27, 140, 144 & 194).

## PC board layout (viewed from soldering side) and Assembly layout



### Note:

1. Tolerances are non-cumulative: ± 0.05mm (± .002") for all centers.
2. Hole dimensions differ according to the kind of PC board and piercing method. If printed circuit boards are made of hard material such as FR-4 are used, the hole dimensions should be larger. The dimensions above should serve as a guideline. Contact JST for details.

JST

IDC

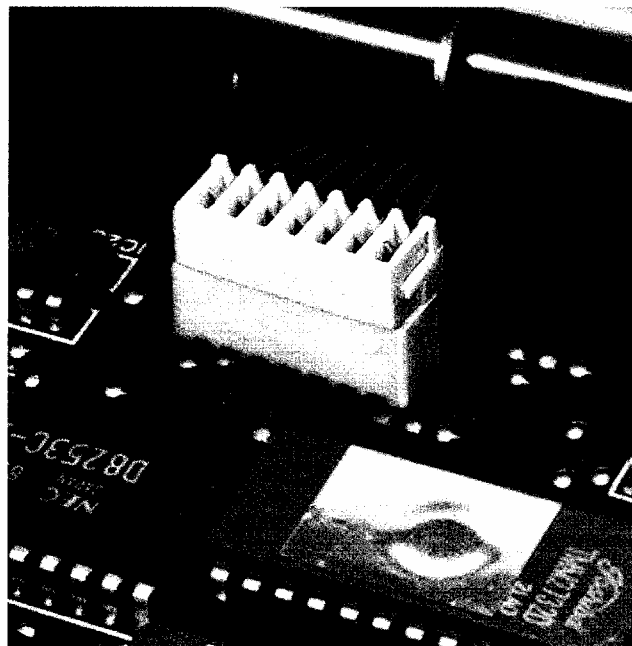
2.5mm  
(.098") pitch

# NR CONNECTOR

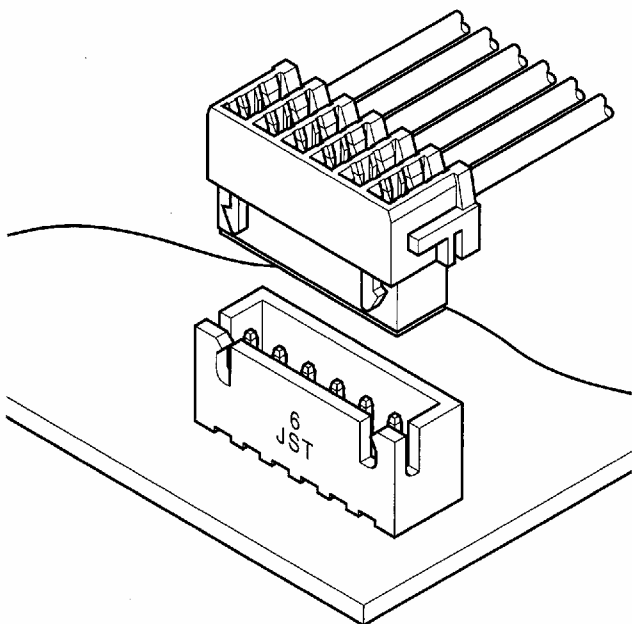
Disconnectable Insulation displacement connectors

Emboss Tape

Radial Tape



*The NR connector is our first insulation displacement connector designed for printed circuit boards and has a justified reputation for reliability. The receptacle is color-coded according to the applicable wire size (AWG #28 green, AWG #26 white and AWG #24 black) and accepts both discrete wires and ribbon cables.*



## Features

### • Low profile

The connector has a low profile with a mounting height of 13.1mm (.516").

### • Twin U-slot insulation displacement section

The insulation displacement section connected to each wire consists of two tin-plated slots (twin U-slots). This redundancy ensures reliable connection even under adverse circumstances.

### • Strain relief

The housing has a strain relief feature that supports and protects the insulation displacement connection from vibration, shock, and bending.

### • Interchangeability

The shrouded header is interchangeable with the XH connectors (crimp style), the NRD and the BR connectors (IDC style), and the JQ connectors (board-to-board style).

## Specifications

- Current rating: 2.0A AC,DC
  - Voltage rating: 250V AC,DC
  - Temperature range: -25°C to +85°C  
(including temperature rise in applying electrical current)
  - Contact resistance: Initial value/10m Ω max.  
After environmental testing/20m Ω max.
  - Insulation resistance: 1,000M Ω min.
  - Withstanding voltage: 1,500V AC/minute
  - Applicable wire: AWG #28, #26, #24  
UL1007(Contact JST for details regarding other UL wires.)  
Conductor/7 strands, tin-coated  
Insulation O.D./1.1 to 1.5mm(.043" to .059")
  - Applicable PC board thickness: 1.6mm(.063")
- \* Contact JST for details.

## Standards



Recognized file No. E60389



Certified file No. LR20812



File No. R85272 (conforms to DIN/VDE 0627)