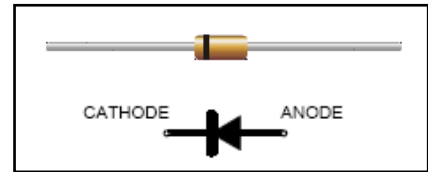


05W 05WS Series Zener Diodes

- . 05W series is for 500mW,DO-35 package
- . 05WS series is for 400mW,DO-34 package
- . Zener voltage regulator diodes
- . Hermetically sealed glass silicon zener diodes
- . complete voltage range_1.7 to 37volts
- . We declare that the material of product compliance with RoHS requirements.

05W 05WS Series



Product Characteristic

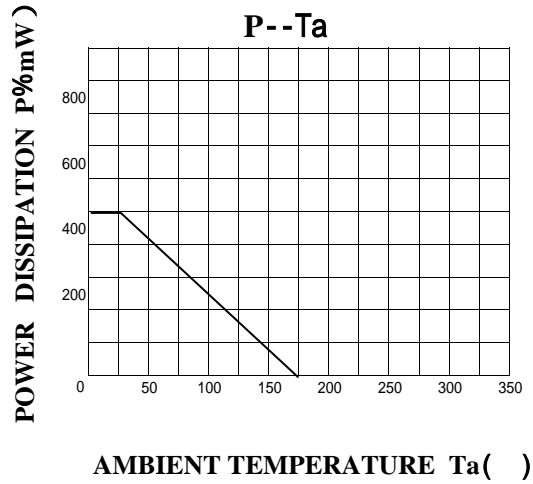
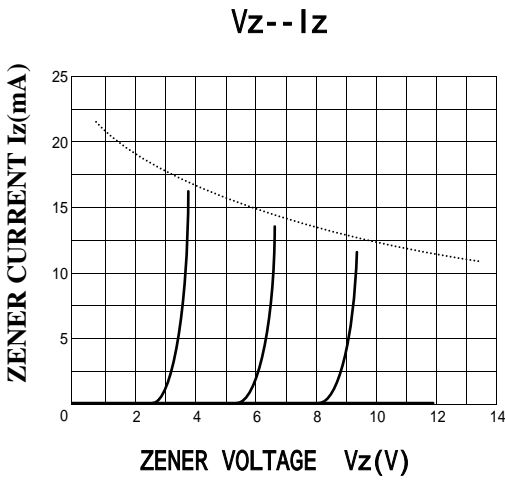
Ta=25 P=500 (mW)

TYPE	Class	Electrical Characteristics											
		Vz(v)						Iz mA(V)	I _R @ V _R (uA) (V)	Rd @ Iz () (mA)	Rz@Iz		
		-1		-2		-3					m V/	m A	
Min	Max	Min	Max	Min	Max								
05W2,05WS2	A	1.6	1.8	1.7	1.9	1.8	2.0	25					
	B	1.9	2.1	2.0	2.2	2.1	2.3	2					
	C	2.2	2.4	2.3	2.5	2.4	2.6	1					
05W3,05WS3	A	2.5	2.7	2.6	2.8	2.7	2.9	1	1.0	35	3	-2.0	
	B	2.8	3.0	2.9	3.1	3.0	3.2						
	C	3.1	3.3	3.2	3.4	3.3	3.5						
05W4,05WS4	A	3.4	3.6	3.5	3.7	3.6	3.8	5	1.5	15	5	0.4	
	B	3.7	3.9	3.8	4.0	3.9	4.1						
	C	4.0	4.2	4.1	4.3	4.2	4.4						
05W5,05WS5	A	4.3	4.5	4.4	4.6	4.5	4.7	1	3.5	20	7.5	8.2	
	B	4.6	4.8	4.7	4.9	4.8	5.0						
	C	4.9	5.1	5.0	5.2	5.1	5.3						
05W6,05WS6	A	5.2	5.5	5.3	5.6	5.4	5.7	1	5	25	11	12	
	B	5.5	5.8	5.6	5.9	5.7	6.0						
	C	5.8	6.1	6.0	6.3	6.1	6.4						
05W7,05WS7	A	6.3	6.6	6.4	6.7	6.6	6.9	1	7.5	35	8.2	15	
	B	6.7	7.0	6.9	7.2	7.0	7.3						
	C	7.2	7.6	7.3	7.7	7.5	7.9						
05W9,05WS9	A	7.7	8.1	7.9	8.3	8.1	8.5	1	9.5	40	11	12	
	B	8.3	8.7	8.5	8.9	8.7	9.1						
	C	8.9	9.3	9.1	9.5	9.3	9.7						
05W11,05WS11	A	9.5	9.9	9.7	10.1	9.9	10.3	1	11	45	12	15	
	B	10.2	10.6	10.4	10.8	10.7	11.1						
	C	10.9	11.3	11.1	11.6	11.4	11.9						
05W12,05WS12	A	11.6	12.1	11.9	12.4	12.2	12.7	1	13	55	15	16.3	
	B	12.4	12.9	12.6	13.1	12.9	13.4						
	C	13.2	13.7	13.5	14.0	13.8	14.3						
05W15,05WS15		14.1	14.7	14.5	15.1	14.9	15.5	2	17	65	18.6	20.3	2
05W16,05WS16		15.3	15.9	15.7	16.5	16.3	17.1						
05W18,05WS18		16.9	17.7	17.5	18.3	18.1	19.0						
05W20,05WS20		18.8	19.7	19.5	20.4	20.2	21.1						
05W22,05WS22		20.9	21.9	21.6	22.6	22.3	23.3						
05W24,05WS24		22.9	24.0	23.6	24.7	24.3	25.5						

05W27,05WS27	25.2	26.6	26.2	27.6	27.2	28.6	2	1	21	80	2	24	2
05W30,05WS30	28.2	29.6	29.2	30.6	30.2	31.6			23	100		26	
05W33,05WS33	31.2	32.6	32.2	33.6	33.2	34.6			25	120		28	
05W36,05WS36	34.2	35.7	35.3	36.8	36.4	38.0			27	140		31	

* tested with pulse (40 ms).

Characteristic Curves



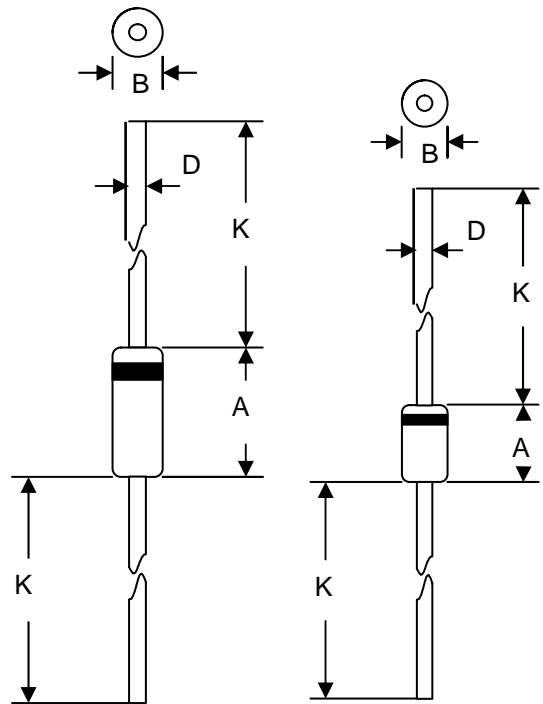
Package Dimensions in inches and (millimeters)

DIM	MILLIMETERS		INCHES	
	MIN	MAX	MIN	MAX
A	3.6	4.0	0.14	0.157
B	1.6	2.0	0.063	0.079
D	0.4	0.6	0.016	0.024
K	28	30	1.102	1.181

D0-35

DIM	MILLIMETERS		INCHES	
	MIN	MAX	MIN	MAX
A	2.4	3.0	0.094	0.118
B	1.6	2.0	0.063	0.078
D	0.3	0.5	0.012	0.020
K	28	30	1.102	1.181

D0-34



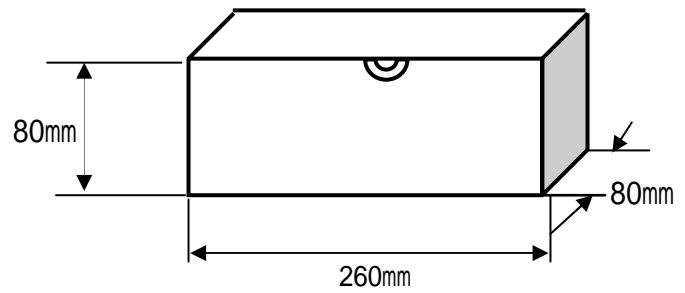
D0-35

D0-34

Packing

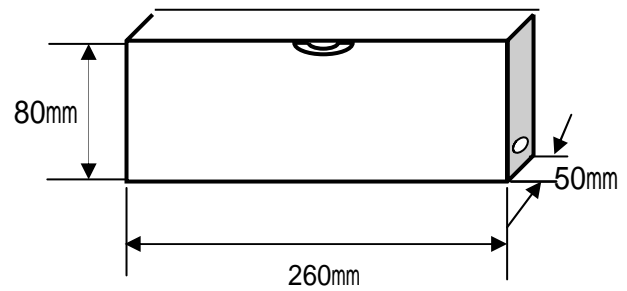
Taping / Box(T52)

Tape Inner Box:5000pcs/each



Taping / Box(T26)

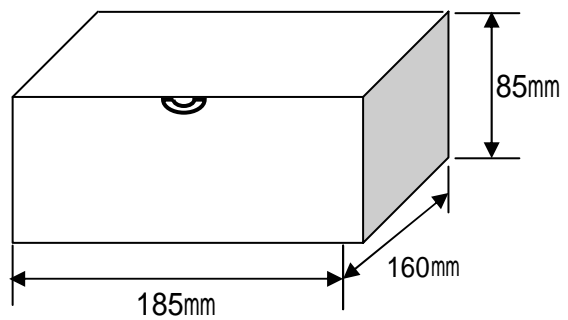
Tape Inner Box:5000pcs/each



Bulk

500pcs/bag

10000pcs /each



Reel (T52)

10000pcs/卷

