

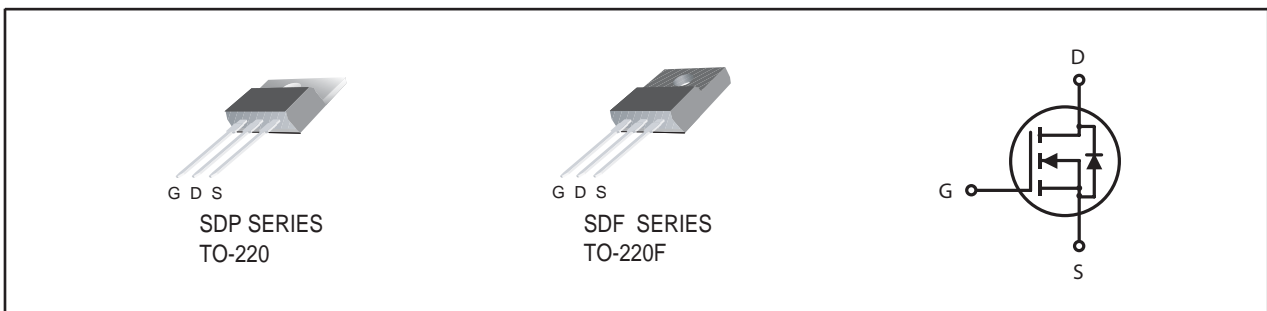


N-Channel Enhancement Mode Field Effect Transistor

PRODUCT SUMMARY		
V _{DSS}	I _D	R _{DS(ON)} (Ω) Typ
600V	8A	0.89 @ V _{GS} =10V

FEATURES

- Super high dense cell design for low R_{DS(ON)}.
- Rugged and reliable.
- TO-220 and TO-220F Package.



ORDERING INFORMATION

Ordering Code	Package	Marking Code	Delivery Mode	RoHS Status
SDP08N60HZ	TO-220	SDP08N60	Tube	Halogen Free
SDP08N60PZ	TO-220	08N60	Tube	Pb Free
SDF08N60HZ	TO-220F	SDF08N60	Tube	Halogen Free
SDF08N60PZ	TO-220F	08N60	Tube	Pb Free

ABSOLUTE MAXIMUM RATINGS (T_C=25°C unless otherwise noted)

Symbol	Parameter	SDP08N60	SDF08N60	Units
V _{DS}	Drain-Source Voltage	600		V
V _{GS}	Gate-Source Voltage	±30	±30	V
I _D	Drain Current-Continuous ^a	T _C =25°C	8	8
		T _C =100°C	5.7	5.7
I _{DM}	-Pulsed ^a	23	23	A
E _{AS}	Single Pulse Avalanche Energy ^c	400		mJ
P _D	Maximum Power Dissipation	T _C =25°C	150	50
		T _C =100°C	75	25
T _J , T _{STG}	Operating Junction and Storage Temperature Range	-55 to 175		°C

THERMAL CHARACTERISTICS

R _{θJC}	Thermal Resistance, Junction-to-Case	1	3	°C/W
R _{θJA}	Thermal Resistance, Junction-to-Ambient	62.5	62.5	°C/W

SDP08N60

SDF08N60

Ver 2.1

ELECTRICAL CHARACTERISTICS (T_C=25°C unless otherwise noted)

Symbol	Parameter	Conditions	Min	Typ	Max	Units
OFF CHARACTERISTICS						
B _V DSS	Drain-Source Breakdown Voltage	V _{GS} =0V, I _D =250μA	600			V
I _{DSS}	Zero Gate Voltage Drain Current	V _{DS} =480V, V _{GS} =0V			1	μA
I _{GSS}	Gate-Body Leakage Current	V _{GS} = ±30V, V _{DS} =0V			±100	nA
ON CHARACTERISTICS						
V _{GS(th)}	Gate Threshold Voltage	V _{DS} =V _{GS} , I _D =250μA	2	3	4	V
R _{DS(ON)}	Drain-Source On-State Resistance	V _{GS} =10V, I _D =4A		0.89	1.11	ohm
g _{FS}	Forward Transconductance	V _{DS} =20V, I _D =4A		5.3		S
DYNAMIC CHARACTERISTICS^b						
C _{iss}	Input Capacitance	V _{DS} =25V, V _{GS} =0V f=1.0MHz		1080		pF
C _{oss}	Output Capacitance			106		pF
C _{rSS}	Reverse Transfer Capacitance			10		pF
SWITCHING CHARACTERISTICS^b						
t _{D(ON)}	Turn-On Delay Time	V _{DD} =300V I _D =1A V _{GS} =10V R _{GEN} = 6 ohm		39		ns
t _r	Rise Time			18.4		ns
t _{D(OFF)}	Turn-Off Delay Time			40		ns
t _f	Fall Time			15		ns
Q _g	Total Gate Charge	V _{DS} =300V, I _D =1A, V _{GS} =10V		13.4		nC
Q _{gs}	Gate-Source Charge	V _{DS} =300V, I _D =1A, V _{GS} =10V		2.9		nC
Q _{gd}	Gate-Drain Charge			5.5		nC
DRAIN-SOURCE DIODE CHARACTERISTICS AND MAXIMUM RATINGS						
V _{SD}	Diode Forward Voltage	V _{GS} =0V, I _S =3A		0.79	1.4	V

Notes

- a. Drain current limited by maximum junction temperature.
b. Guaranteed by design, not subject to production testing.
c. Starting T_J=25°C, L=50mH, V_{DD} = 50V. (See Figure 12)

Dec, 24, 2013

SDP08N60

SDF08N60

Ver 2.1

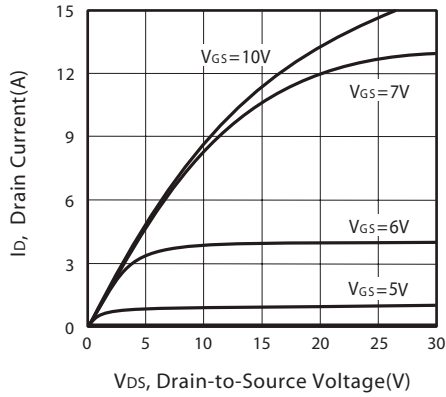


Figure 1. Output Characteristics

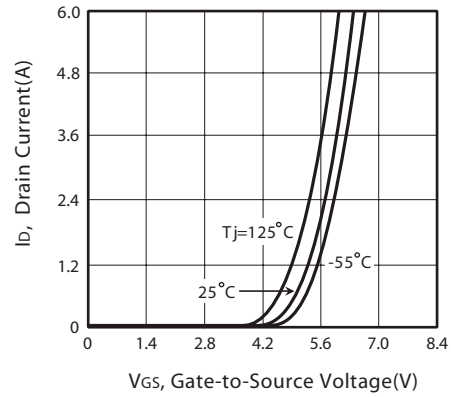


Figure 2. Transfer Characteristics

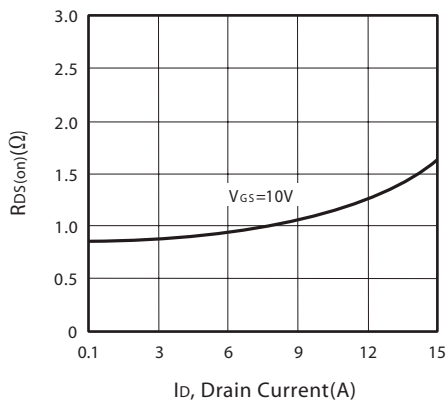


Figure 3. On-Resistance vs. Drain Current and Gate Voltage

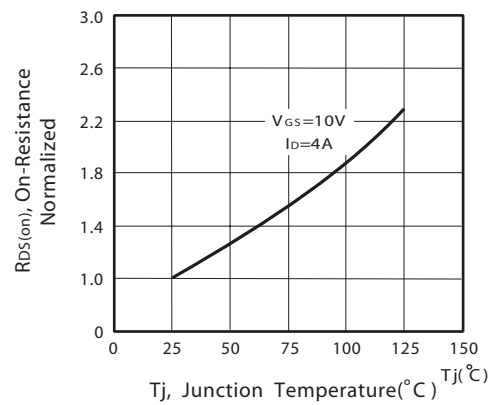


Figure 4. On-Resistance Variation with Drain Current and Temperature

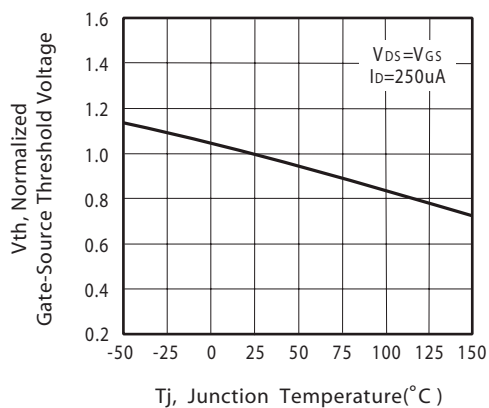


Figure 5. Gate Threshold Variation with Temperature

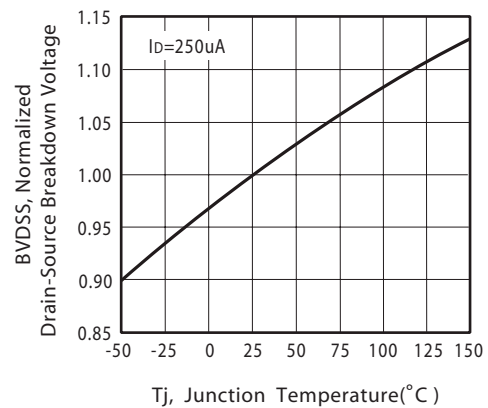


Figure 6. Breakdown Voltage Variation with Temperature

Dec,24,2013

SDP08N60

SDF08N60

Ver 2.1

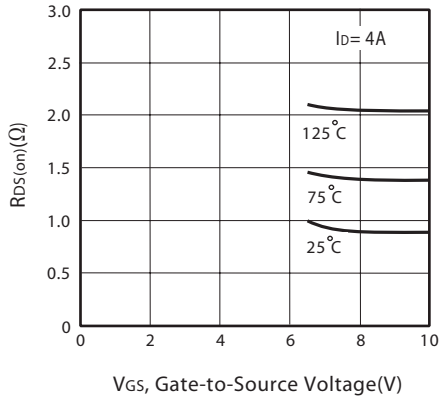


Figure 7. On-Resistance vs. Gate-Source Voltage

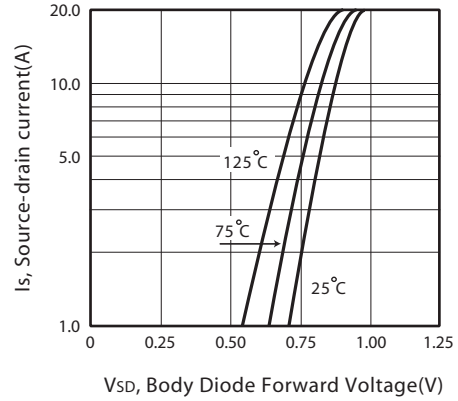


Figure 8. Body Diode Forward Voltage Variation with Source Current

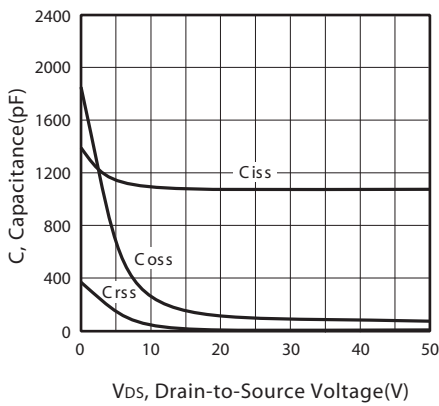


Figure 9. Capacitance

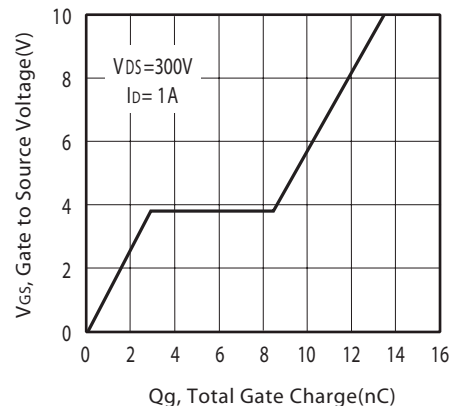


Figure 10. Gate Charge

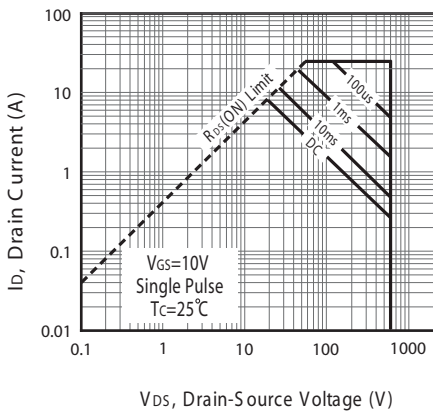


Figure 11a. Maximum Safe Operating Area for SDP08N60

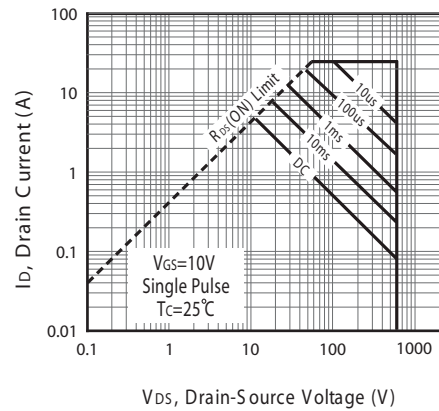


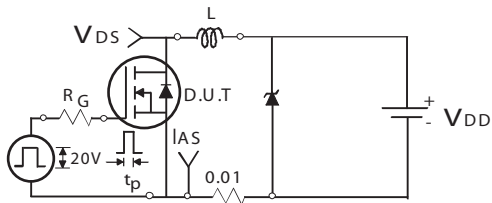
Figure 11b. Maximum Safe Operating Area for SDF08N60

Dec,24,2013

SDP08N60

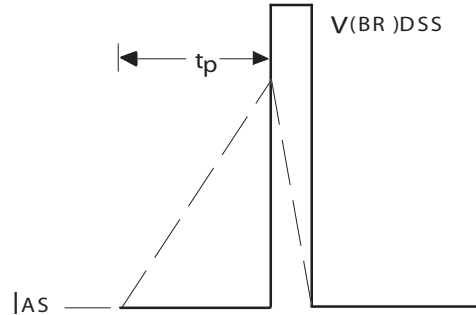
SDF08N60

Ver 2.1



Unclamped Inductive Test Circuit

Figure 12a.



Unclamped Inductive Waveforms

Figure 12b.

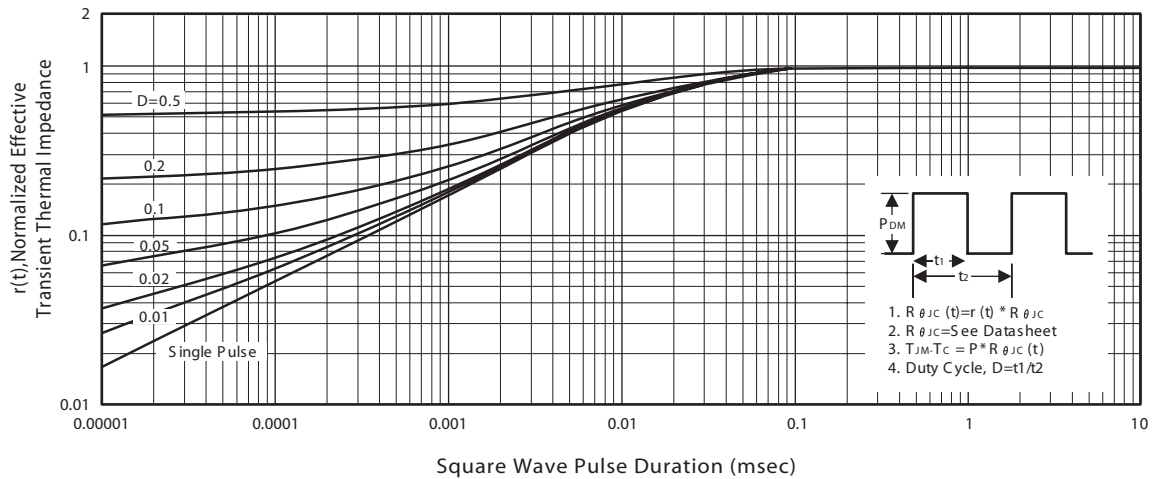


Figure 13a. Normalized Thermal Transient Impedance Curve for SDP08N60

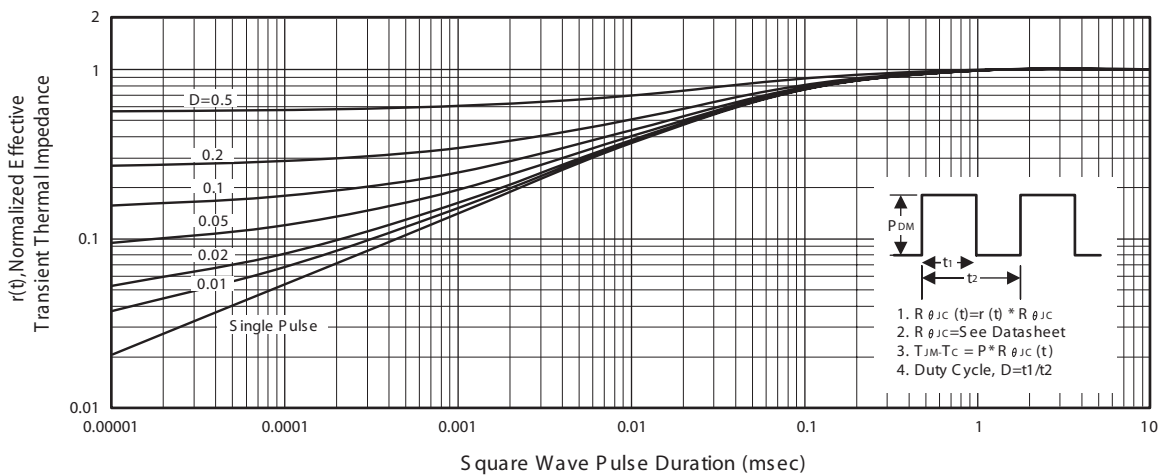


Figure 13b. Normalized Thermal Transient Impedance Curve for SDF08N60

Dec,24,2013

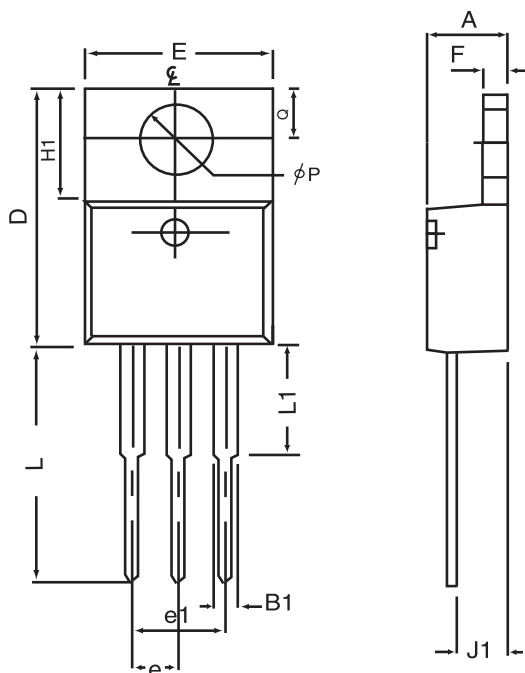
SDP08N60

SDF08N60

Ver 2.1

PACKAGE OUTLINE DIMENSIONS

TO-220



SYMBOLS	MILLIMETERS		INCHES	
	MIN	MAX	MIN	MAX
A	4.32	4.80	0.170	0.189
B1	1.27	1.65	0.050	0.630
D	14.6	16.00	0.575	0.610
E	9.70	10.41	0.382	0.410
e	2.34	2.74	0.092	0.108
e1	4.68	5.48	0.184	0.216
F	1.14	1.40	0.045	0.055
H1	5.97	6.73	0.235	0.265
J1	2.20	2.79	0.087	0.110
L	12.88	14.22	0.507	0.560
L1	3.00	6.35	0.120	0.250
phi P	3.50	3.94	0.138	0.155
Q	2.54	3.05	0.100	0.120

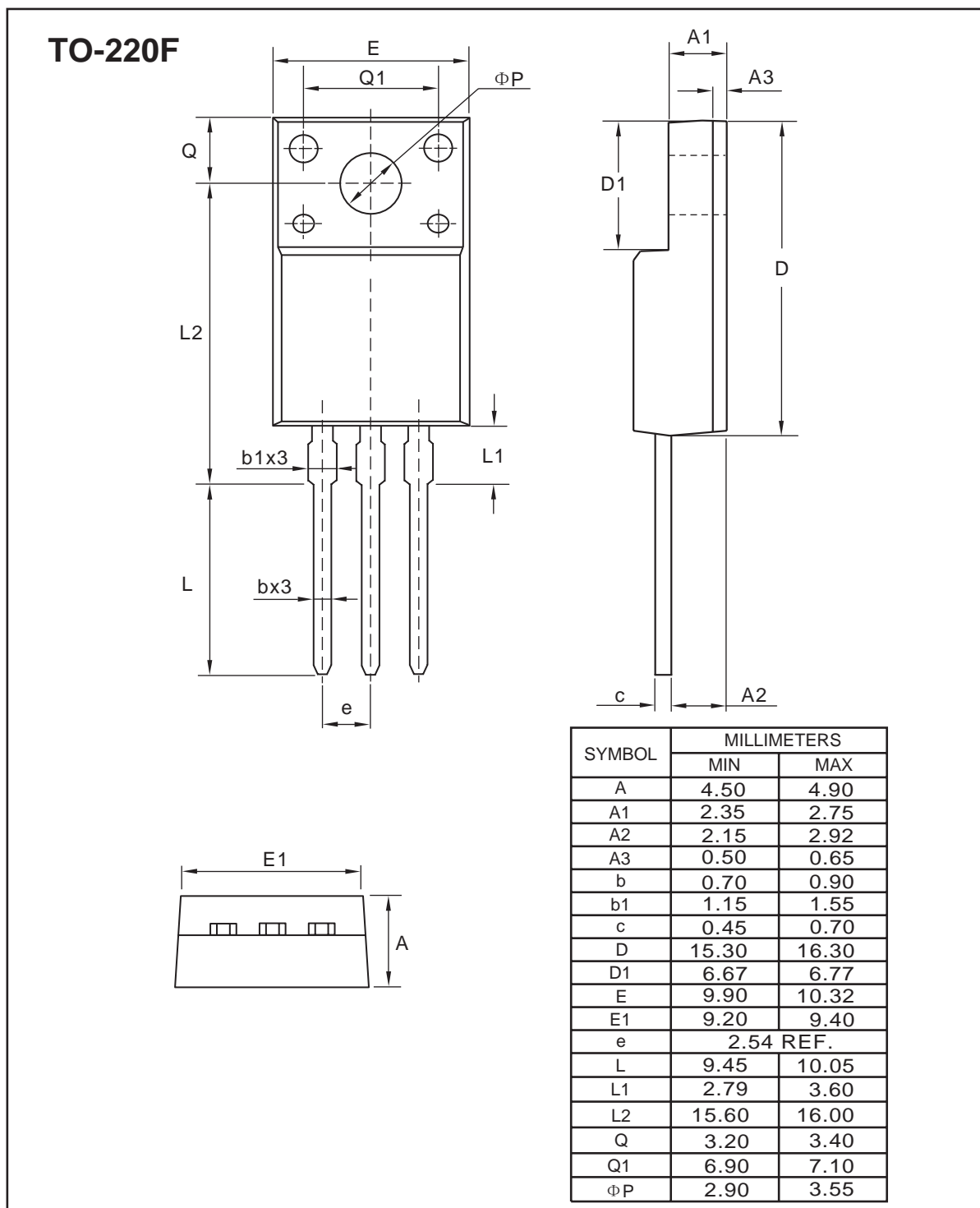
Dec,24,2013

SDP08N60

SDF08N60

Ver 2.1

PACKAGE OUTLINE DIMENSIONS

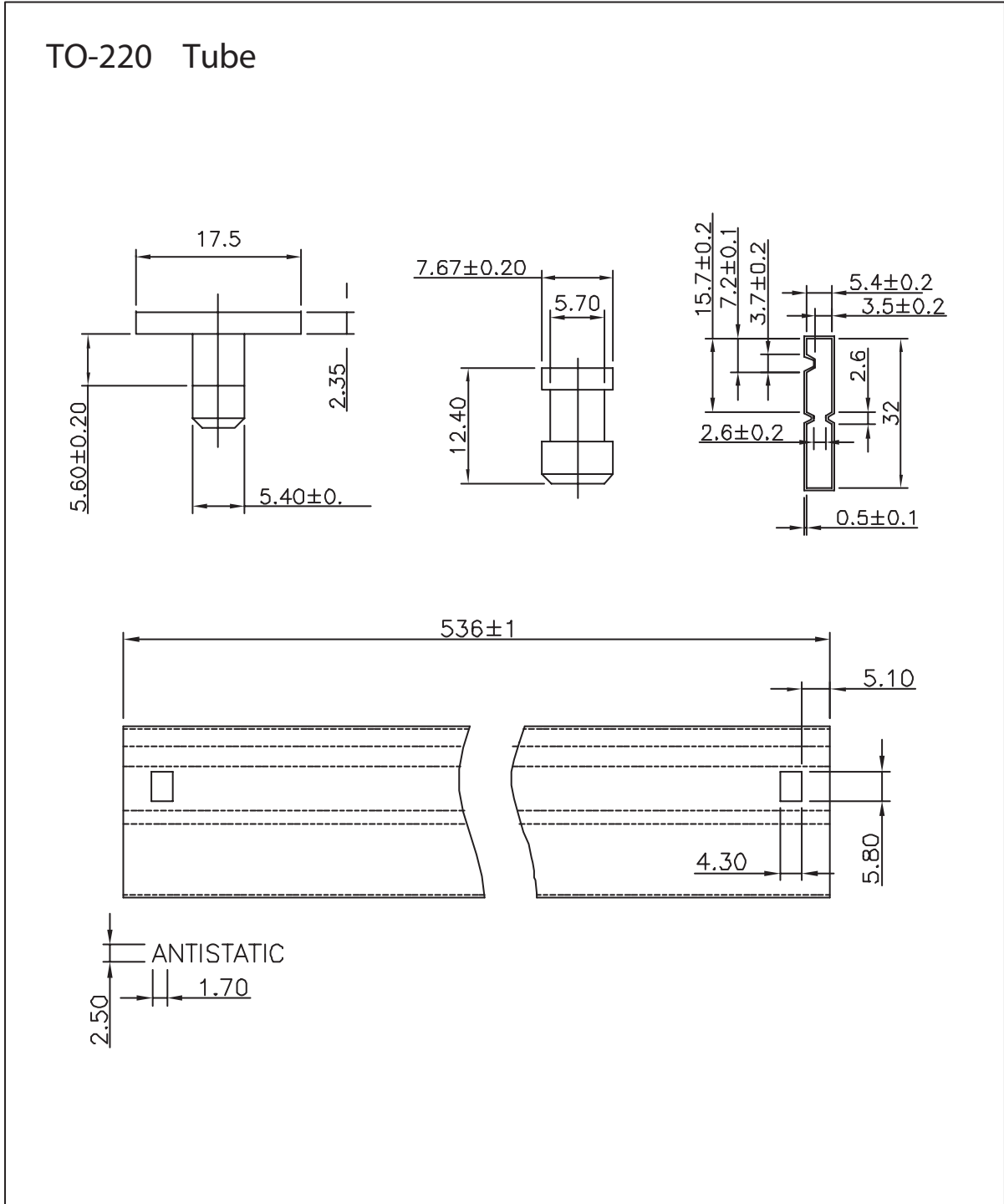


Dec,24,2013

SDP08N60

SDF08N60

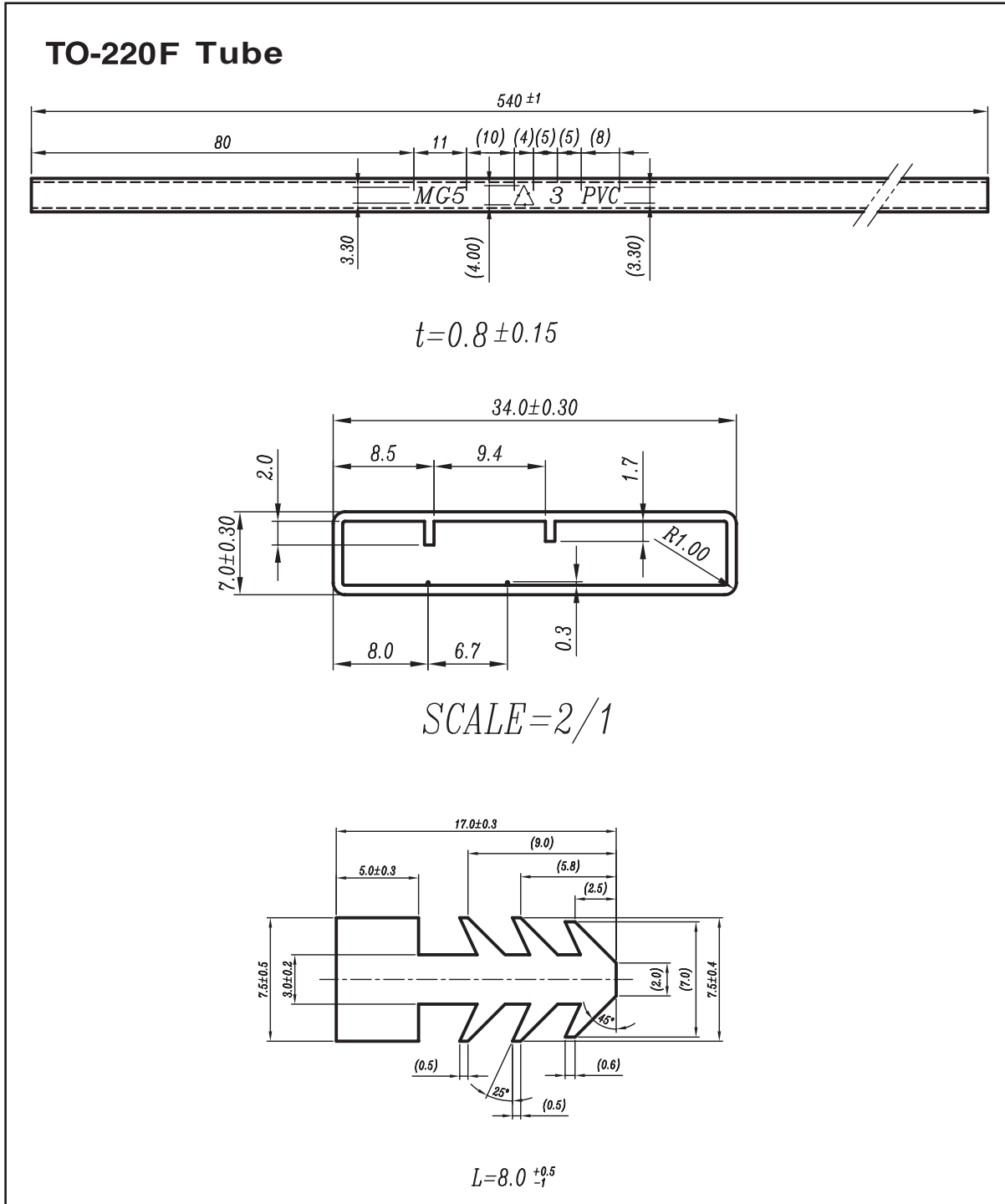
Ver 2.1



Dec,24,2013

SDP08N60
SDF08N60

Ver 2.1



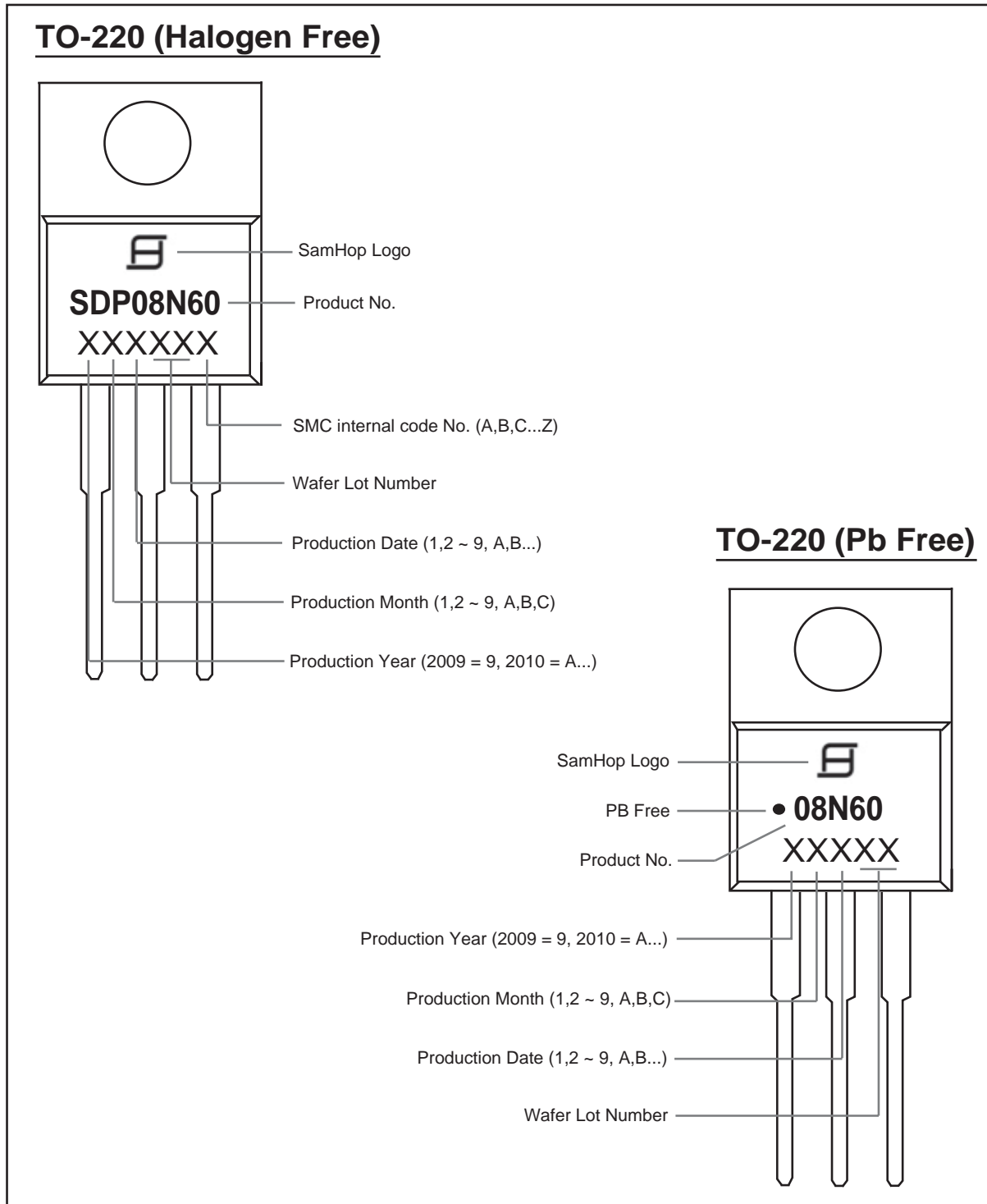
Dec, 24, 2013

SDP08N60

SDF08N60

Ver 2.1

TOP MARKING DEFINITION



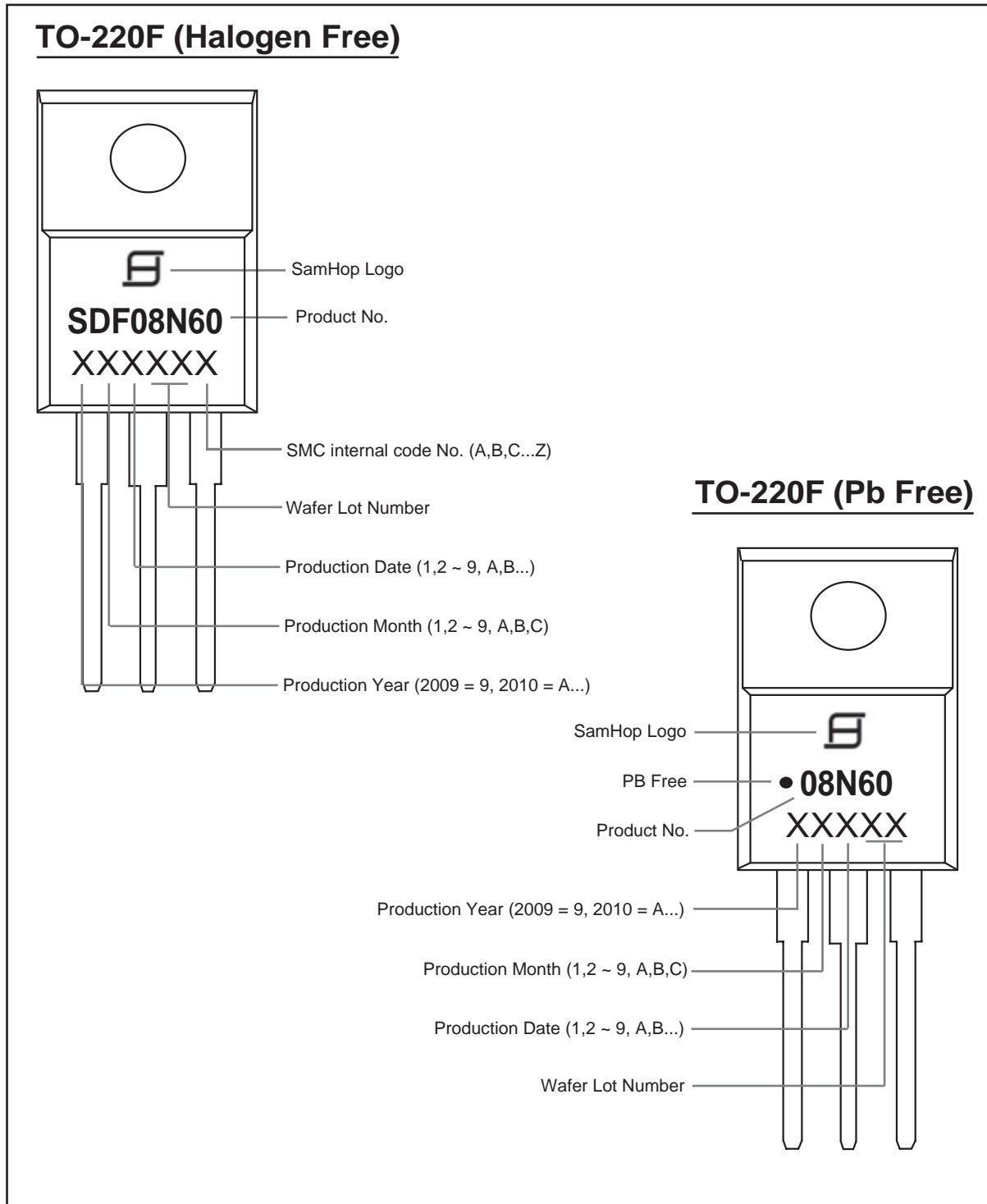
Dec,24,2013

SDP08N60

SDF08N60

Ver 2.1

TOP MARKING DEFINITION



Dec,24,2013