

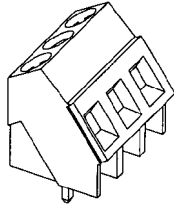


**Board Mount, 35° Angled Wire Entry**

**Board Mount**  
2.5 mm<sup>2</sup> Solid Wire w/Interlock,  
5.0 mm Centerline,  
35° Angled Wire Entry

UL Rating – 300 V, 17.5 A  
12-30 AWG

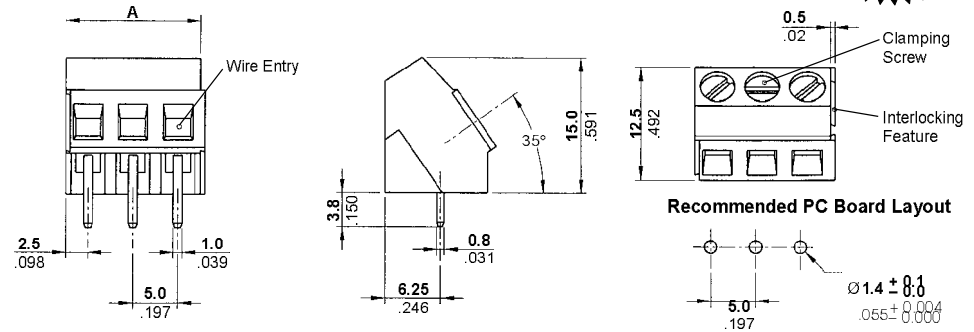
15 A for field wiring applications



**Suggested Screw Torque—**  
4.4 in.-lbs.

**Notes:**

1. BUCHANAN Terminal Block Series B04C4VXXT has been superceded/replaced with part number 796688-xx (blue color) and 796689-xx (black color).
2. RDI Terminal Block Series 5LEA-XX has been superceded/replaced with part number 796690-xx (green color).
3. RDI Terminal Block Series 5LEA-XX-1 has been superceded/replaced with part number 796689-xx (black color).

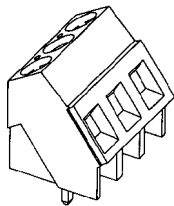


No. of Positions	Dim. A	Part Numbers			
		Gray	Blue	Black	Green
2	10.0 [0.394]	282846-2	796688-2	796689-2	796690-2
3	15.0 [0.591]	282846-3	796688-3	796689-3	796690-3
4	20.0 [0.787]	282846-4	796688-4	796689-4	796690-4
5	25.0 [0.984]	282846-5	796688-5	796689-5	796690-5
6	30.0 [1.181]	282846-6	796688-6	796689-6	796690-6
7	35.0 [1.378]	282846-7	796688-7	796689-7	796690-7
8	40.0 [1.575]	282846-8	796688-8	796689-8	796690-8
9	45.0 [1.772]	282846-9	796688-9	796689-9	796690-9
10	50.0 [1.968]	1-282846-0	1-796688-0	1-796689-0	1-796690-0
11	55.0 [2.165]	1-282846-1	1-796688-1	1-796689-1	1-796690-1
12	60.0 [2.362]	1-282846-2	1-796688-2	1-796689-2	1-796690-2

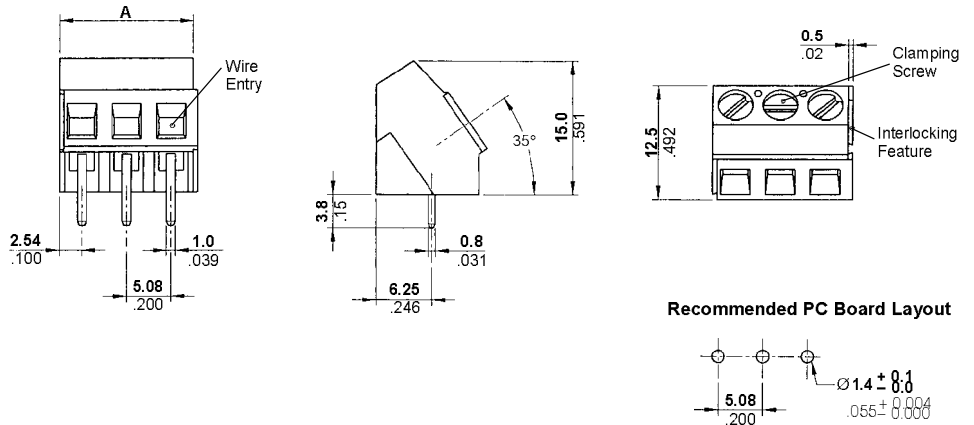
**Board Mount**  
2.5 mm<sup>2</sup> Solid Wire w/Interlock,  
5.08 mm Centerline,  
35° Angled Wire Entry  
Color – Gray

UL Rating – 300 V, 17.5 A  
12-30 AWG

15 A for field wiring applications



**Suggested Screw Torque—**  
4.4 in.-lbs.



No. of Positions	Dim. A	Part Numbers
2	10.16 [0.400]	282847-2
3	15.24 [0.600]	282847-3
4	20.32 [0.800]	282847-4
5	25.40 [1.000]	282847-5
6	30.48 [1.200]	282847-6
7	35.56 [1.400]	282847-7
8	40.64 [1.600]	282847-8
9	45.72 [1.800]	282847-9
10	50.80 [2.000]	1-282847-0
11	55.88 [2.200]	1-282847-1
12	60.96 [2.400]	1-282847-2

**Note:** RDI Terminal Block Series 2EEA-xx has been superceded/replaced with 282847-xx series.

For complete product information, order Catalog 1308389