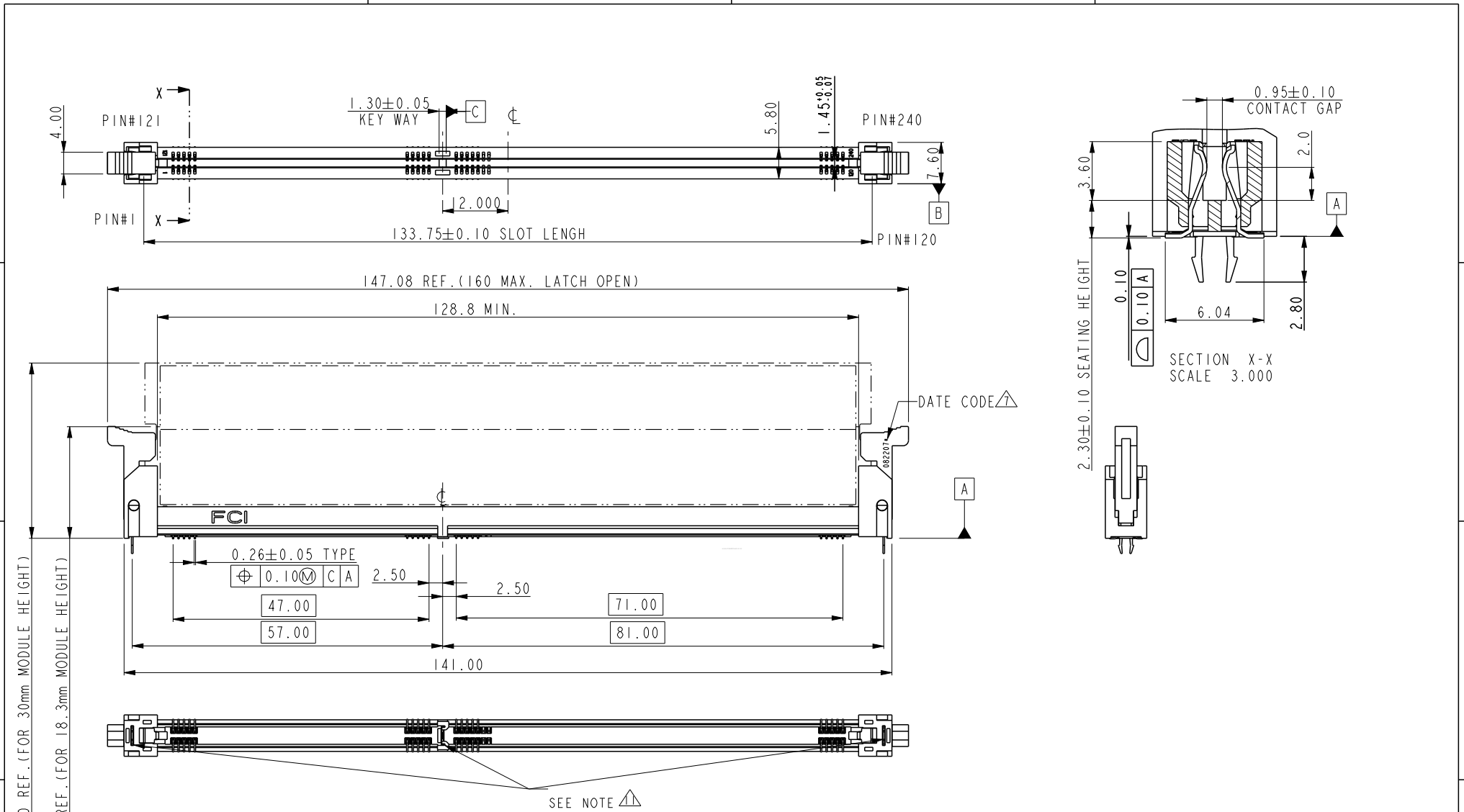




Copyright FCI.



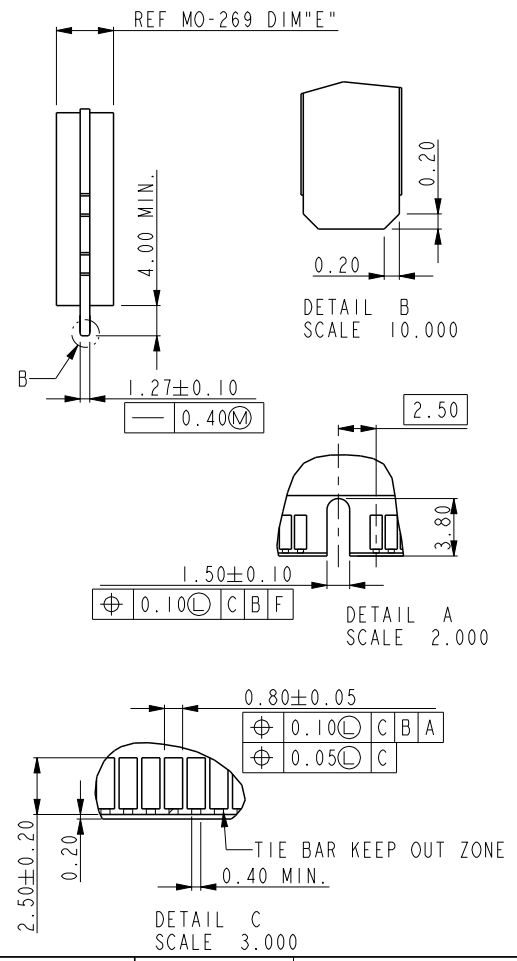
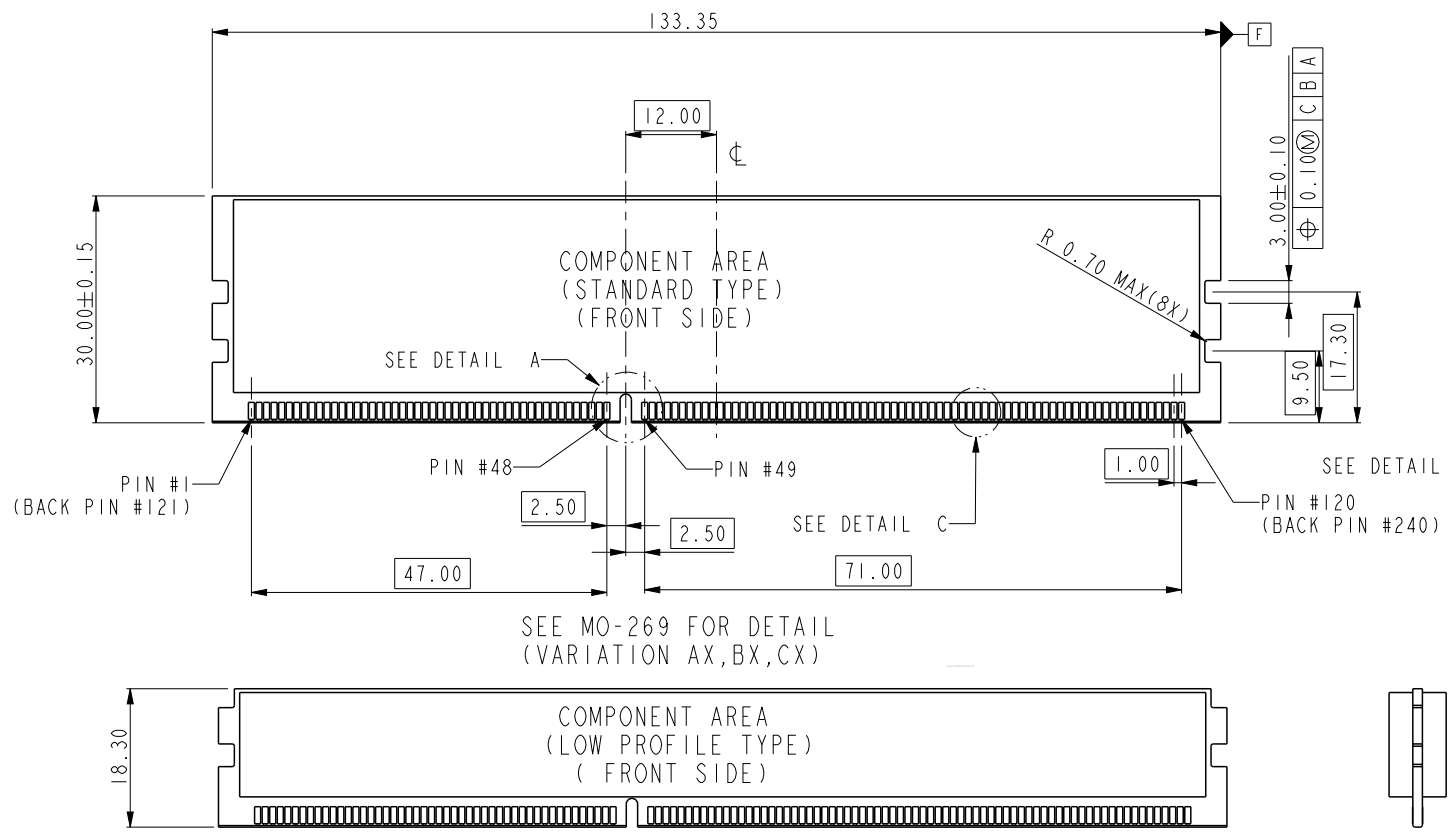
32.20 REF. (FOR 30mm MODULE HEIGHT)
 20.50 REF. (FOR 18.3mm MODULE HEIGHT)

spec ref		*		dr	Rick Bian	2010/07/03	projection 	mm ←→	size	A4	scale	0.500	
tolerance std		TOLERANCES UNLESS OTHERWISE SPECIFIED		eng	Nickor Zuo	2012/04/06			ecn no	ELX-DG-011227-1			
-		-		chr	Jian Huang	2012/04/06			rel level		Released		
-		-		appr	Collins Lu	2012/04/06			product family				
surface	✓	linear	0.X	±0.30		title	SMT DDRIII SOCKET ASS'Y		dwg no	10079248		rev	U
			0.XX	±0.15			DDRIII, 240P SOCKET (FOR RDIMM MODULE)						
			0.XXX	±0.05									
-	-	angular	0°	±2°	www.fci.com	cat. no.	*	Product - Customer Drw		sheet 1 of 5			

ProjE File - REV C - 2009-06-09



Copyright FCI.

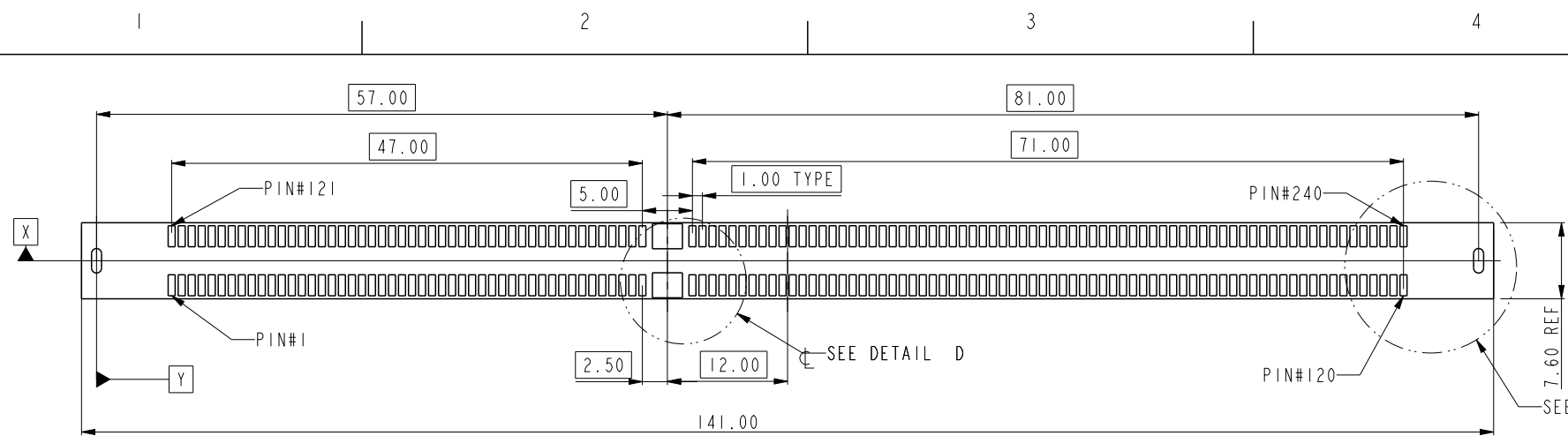


spec ref	*	dr	Rick Bian	2010/07/03	projection	mm	size	A4	scale	0.500											
tolerance std	TOLERANCES UNLESS OTHERWISE SPECIFIED	eng	Nickor Zuo	2012/04/06			ecn no	ELX-DG-011227-1													
-		chr	Jian Huang	2012/04/06				rel level	Released												
-		appr	Collins Lu	2012/04/06	product family			rev													
surface	<table border="1"> <tr> <td>linear</td> <td>0.X</td> <td>±0.30</td> </tr> <tr> <td></td> <td>0.XX</td> <td>±0.15</td> </tr> <tr> <td></td> <td>0.XXX</td> <td>±0.05</td> </tr> <tr> <td>angular</td> <td>0°</td> <td>±2°</td> </tr> </table>	linear	0.X	±0.30		0.XX	±0.15		0.XXX	±0.05	angular	0°	±2°		title SMT DDRIII SOCKET ASS'Y DDRIII,240P SOCKET(FOR RDIMM MODULE)			dwg no 10079248		rev U	
linear	0.X	±0.30																			
	0.XX	±0.15																			
	0.XXX	±0.05																			
angular	0°	±2°																			
-		www.fci.com		cat. no.	*	Product - Customer Drw		sheet 2 of 5													

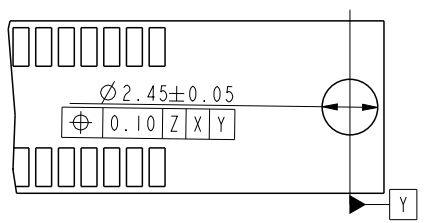
PrdE File - REV C - 2009-06-09



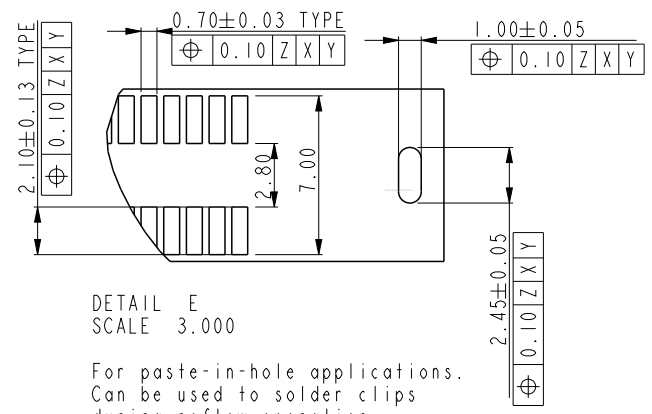
Copyright FCI.



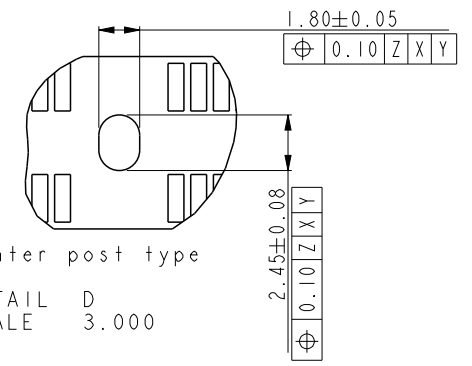
RECOMMEND CIRCUIT BOARD LAYOUT



DETAIL E
SCALE 3.000
Standard hole for hold-down clips



DETAIL E
SCALE 3.000
For paste-in-hole applications.
Can be used to solder clips during reflow operation.



Center post type
DETAIL D
SCALE 3.000

spec ref	*	dr	Rick Bian	2010/07/03	projection	mm	size	A4	scale	0.500											
tolerance std	TOLERANCES UNLESS OTHERWISE SPECIFIED	eng	Nickor Zuo	2012/04/06			ecn no		ELX-DG-011227-1												
-		chr	Jian Huang	2012/04/06			rel level		Released												
surface	<table border="1"> <tr> <td>linear</td> <td>0.X</td> <td>±0.30</td> </tr> <tr> <td></td> <td>0.XX</td> <td>±0.15</td> </tr> <tr> <td></td> <td>0.XXX</td> <td>±0.05</td> </tr> <tr> <td>angular</td> <td>0°</td> <td>±2°</td> </tr> </table>	linear	0.X	±0.30		0.XX	±0.15		0.XXX	±0.05	angular	0°	±2°	appr	Collins Lu	2012/04/06	product family		rev		U
linear	0.X	±0.30																			
	0.XX	±0.15																			
	0.XXX	±0.05																			
angular	0°	±2°																			
-				title SMT DDRIII SOCKET ASS'Y DDRIII,240P SOCKET(FOR RDIMM MODULE)		www.fci.com		cat. no. * Product - Customer Drw		sheet 3 of 5											
						product family		10079248													

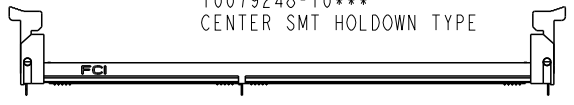
ProjE File - REV C - 2009-06-09



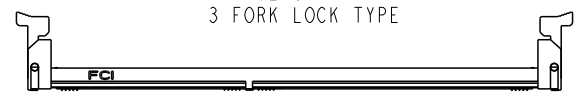
Copyright FCI.



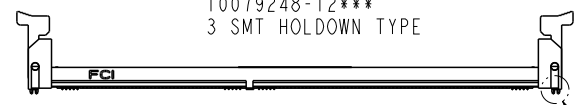
SCALE 0.500
10079248-10***
CENTER SMT HOLDOWN TYPE



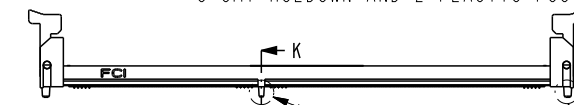
SCALE 0.500
10079248-11***
3 FORK LOCK TYPE



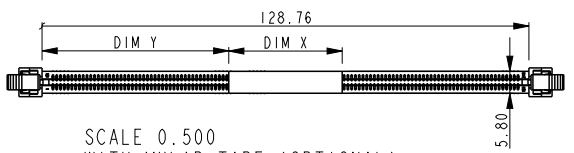
SCALE 0.500
10079248-12***
3 SMT HOLDOWN TYPE



SCALE 0.500
10079248-13***
3 SMT HOLDOWN AND 2 PLASTIC POST TYPE



SCALE 0.500
10079248-15***
3 PLASTIC POST TYPE



SCALE 0.500
WITH MYLAR TAPE (OPTIONAL)

10079248 - □ □ □ □ □

STYLE : MECHANICAL KEYING

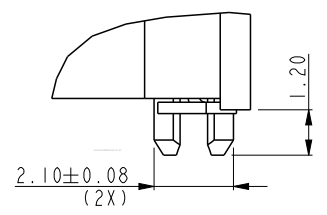
1 : 1.5 VOLT. W/ CENTER KEY

HOLD DOWN TYPE

- 0 : CENTER HOLD DOWN, FORKLOCK AT BOTH END
- 1 : 3 FORKLOCK TYPE
- 2 : 3 SMT HOLDOWN TYPE
- 3 : 3 SMT HOLDOWN AND 2 PLASTIC POST
- 5 : 3 PLASTIC POST TYPE

PACKAGE AND MYLAR OPTION

- 0: SOFT TRAY WITHOUT MYLAR
- 1: HARD TRAY WITH MYLAR 1
- 2: HARD TRAY WITHOUT MYLAR
- 3: SOFT TRAY WITH MYLAR 1
- 4: SPECIAL HARD TRAY WITH MYLAR 1
- 5: SPECIAL HARD TRAY WITHOUT MYLAR
- 6: HARD TRAY WITH MYLAR 2
- 7: HARD TRAY WITH MYLAR 3
- 8: HARD TRAY WITH MYLAR 4



DETAIL N
SCALE 5.000

MYLAR TYPE	DIM X	DIM Y
MYLAR 1	30.0	49.38
MYLAR 2	90.0	19.38
MYLAR 3	30.0	30.0
MYLAR 4	30.0	68.8

PLATING

CODE	CONTACT	SOLDERTAIL	UNDERPLATE	NOTE
1	10u" (0.25um) MIN. GOLD	100u" (2.54um) MIN. TIN-LEAD	50u" (1.27um) MIN. NICKEL OVERALL	CONTACT NON-LUBRICANT
2	15u" (0.38um) MIN. GOLD			
3	30u" (0.76um) MIN. GOLD			
4	GOLD FLASH			
5	10u" (0.25um) MIN. GOLD			CONTACT LUBRICATED
6	15u" (0.38um) MIN. GOLD			
7	30u" (0.76um) MIN. GOLD			
8	GOLD FLASH			
3S	5u" (0.125um) MIN. GOLD	CONTACT LUBRICATED WITH HIGH PERFORMANCE POLY A-OLEFIN LUBRICANT		
1LF	10u" (0.25um) MIN. GOLD	100u" (2.54um) MIN. 100% MATT TIN	50u" (1.27um) MIN. NICKEL OVERALL	CONTACT NON-LUBRICANT
2LF	15u" (0.38um) MIN. GOLD			
3LF	30u" (0.76um) MIN. GOLD			
4LF	GOLD FLASH			
5LF	10u" (0.25um) MIN. GOLD			CONTACT LUBRICATED
6LF	15u" (0.38um) MIN. GOLD			
7LF	30u" (0.76um) MIN. GOLD			
8LF	GOLD FLASH			
3SLF	5u" (0.125um) MIN. GOLD	CONTACT LUBRICATED WITH HIGH PERFORMANCE POLY A-OLEFIN LUBRICANT		

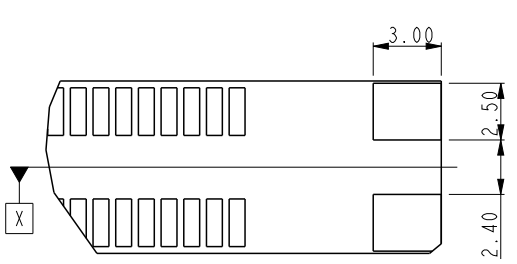
COLOR OF HOUSING AND EJECTOR

- 0 : BLACK HOUSING + IVORY EJECTOR
- 1 : BLACK HOUSING + BLACK EJECTOR
- 2 : BLACK HOUSING + BLUE(661C) EJECTOR
- 3 : BLACK HOUSING + YELLOW(123C) EJECTOR

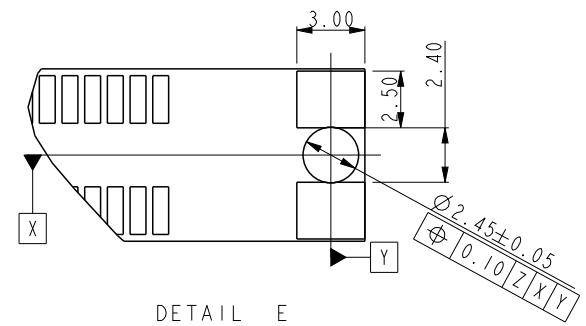
spec ref	*	dr	Rick Bian	2010/07/03	projection 	mm 	size	A4	scale	0.500
tolerance std	TOLERANCES UNLESS OTHERWISE SPECIFIED	eng	Nickor Zuo	2012/04/06			ecn no	ELX-DG-011227-1		
-		chr	Jian Huang	2012/04/06			product family	rel level	Released	
-		appr	Collins Lu	2012/04/06			product family	rel level	Released	
surface	linear	0.X	±0.30	 www.fci.com	title SMT DDRIII SOCKET ASS'Y DDRIII,240P SOCKET(FOR RDIMM MODULE)	dwg no 10079248	rev U			
		0.XX	±0.15							
		0.XXX	±0.05							
	angular	0°	±2°	cat. no.	*	Product - Customer Drw	sheet 4 of 5			



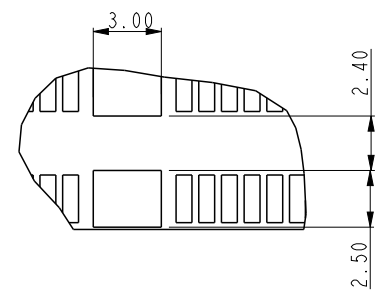
Copyright FCI.



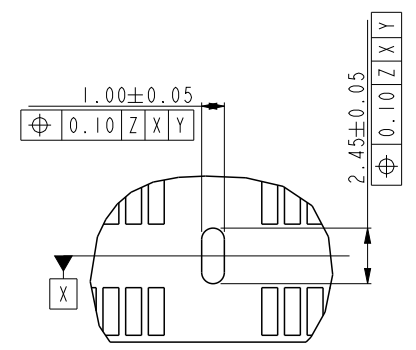
DETAIL E
SCALE 3.000
For smt holddown type



DETAIL E
SCALE 3.000
For 3smt holddown + 2plastic post type



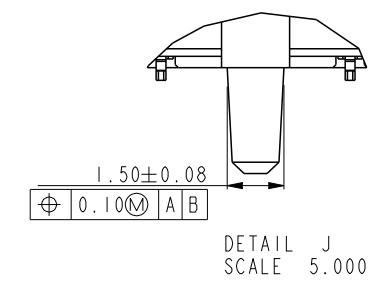
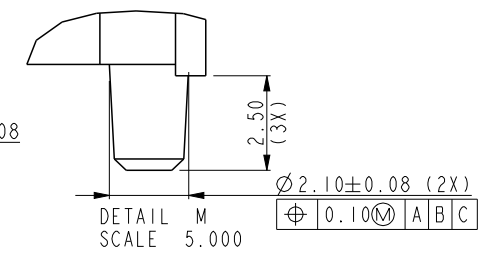
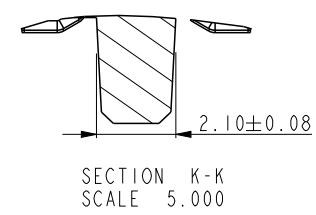
Center smt holddown type
DETAIL D
SCALE 3.000



Center forklock type
DETAIL D
SCALE 3.000

NOTES:

- MATERIAL:
HOUSING: HIGH PERFORMANCE RESINS, GLASS FILLED UL94V-0 RATED.
EJECTOR: HIGH PERFORMANCE RESINS, GLASS FILLED UL94V-0 RATED.
TERMINAL: HIGH PERFORMANCE COPPER ALLOY
METAL CLIP: COPPER ALLOY.
- FCI LOGO TO BE APPROXIMATELY LOCATED AS SHOWN ON PRINT.
- PRODUCT SPECIFICATION: GS-12-486.
- PACKAGING SPECIFICATION: GS-14-899.
- RECOMMENDED STENCIL THICKNESS NO LESS THAN 0.15 mm.
- FOR OPTIMUM PERFORMANCE. THE TIE BAR IS TO BE ON AN INTERNAL LAYER SO THAT THE REMNANT CANNOT CAUSE CONTACT DAMAGE.
- THE DATE CODE IS SHOWN "MMDDYY*". "*" MEANS PRODUCTION LINE.
- THIS PRODUCT MEETS EUROPEAN UNION DIRECTIVES AND OTHER COUNTRY REGULATIONS AS DESCRIBED IN GS-22-008.
- THE HOUSING WILL WITH STAND EXPOSURE TO 260°C PEAK TEMPERATURE FOR 10 SECONDS IN AN IR REFLOW SOLDERING APPLICATION.
- PRODUCT APPLICATION SPEC GS-20-089.
- THE HOLDDOWN TYPES ARE OPTION FOR HOLDDOWN OR FORKLOCK.



spec ref	*	dr	Rick Bian	2010/07/03	projection	mm	size	A4	scale	0.500											
tolerance std	TOLERANCES UNLESS OTHERWISE SPECIFIED	eng	Nickor Zuo	2012/04/06			ecn no		ELX-DG-011227-1												
-		chr	Jian Huang	2012/04/06			rel level		Released												
surface	<table border="1"> <tr> <td>linear</td> <td>0.X</td> <td>±0.30</td> </tr> <tr> <td></td> <td>0.XX</td> <td>±0.15</td> </tr> <tr> <td></td> <td>0.XXX</td> <td>±0.05</td> </tr> <tr> <td>angular</td> <td>0°</td> <td>±2°</td> </tr> </table>	linear	0.X	±0.30		0.XX	±0.15		0.XXX	±0.05	angular	0°	±2°	appr	Collins Lu	2012/04/06	product family		rev		
linear	0.X	±0.30																			
	0.XX	±0.15																			
	0.XXX	±0.05																			
angular	0°	±2°																			
				title SMT DDRIII SOCKET ASS'Y DDRIII,240P SOCKET(FOR RDIMM MODULE)		dwg no 10079248		U													
		www.fci.com		cat. no.		Product - Customer Drw		sheet 5 of 5													

PrdE File - REV C - 2009-06-09