



10A05 SERIES

SILICON RECTIFIER

VOLTAGE 50~1000 Volt **CURRENT** 10 Ampere

P-600

Unit: inch(mm)

FEATURES

- High surge current capability
- Low leakage
- Low forward voltage drop
- High current capability
- Low lost
- Lead free in compliance with EU RoHS 2011/65/EU directive

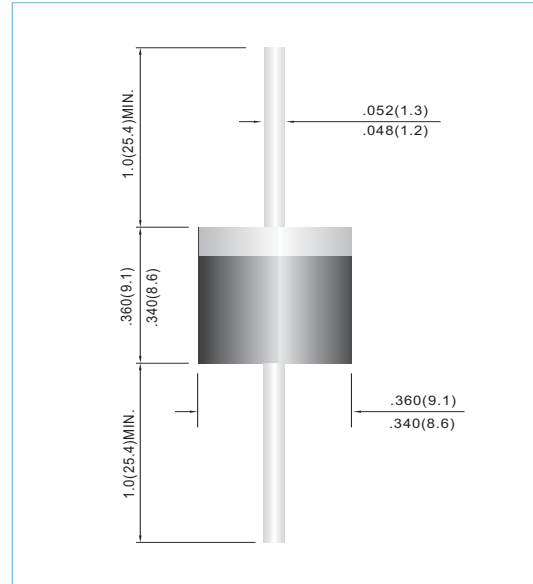
MECHANICAL DATA

Case: Molded plastic, P600

Terminals: Axial leads, solderable to MIL-STD-750, Method 2026

Polarity: Color Band denotes cathode end

Weight: 0.0719 ounce, 2.04 gram



MAXIMUM RATINGS

Ratings at 25°C ambient temperature unless otherwise specified. Single phase, half wave, 60Hz resistive or inductive load. For Capacitive load derate current by 20%.

PARAMETER	SYMBOL	10A05	10A1	10A2	10A4	10A6	10A8	10A10	UNITS
Maximum Recurrent Peak Reverse Voltage	V _{RRM}	50	100	200	400	600	800	1000	V
Maximum RMS Voltage	V _{RMS}	35	70	140	280	420	560	700	V
Maximum DC Blocking Voltage	V _{DC}	50	100	200	400	600	800	1000	V
Maximum Average Forward Rectified Current	I _{F(AV)}	10							A
Peak Forward Surge Current : 8.3ms single half sine-wave superimposed on rated load	I _{FSM}	400							A
Maximum Forward Voltage at 10A	V _F	1.1							V
Maximum DC Reverse Current at Rated DC Blocking Voltage	I _R	10							μA
Typical Thermal Resistance (Note 2)	R _{θJL} R _{θJA}	6 16							°C / W
Typical Junction Capacitance (Note 1)	C _J	100							pF
Operating and Storage Temperature Range	T _J , T _{STG}	-55 to +150							°C

Note:1. Measured at 1 MHz and Applied Reverse Voltage of 4 Volt.

2. The testing condition of the thermal resistance (junction to ambient and junction to lead) is based on 0mm lead length between two 10cm x 10cm x 0.5mm copper pad heatsinks.



10A05 SERIES

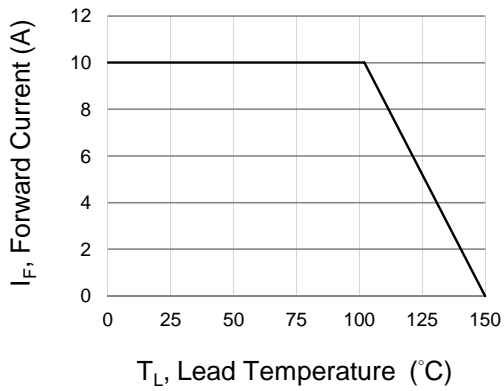


Fig.1 Forward Current Derating Curve

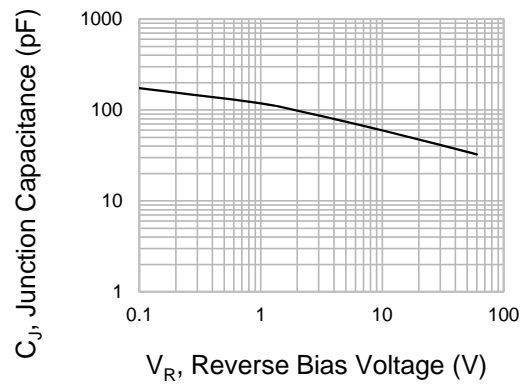


Fig.2 Typical Junction Capacitance

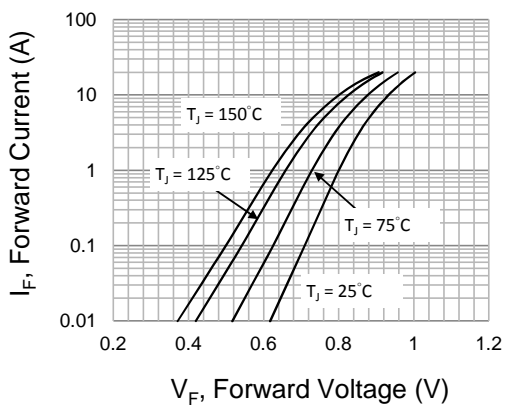


Fig.3 Typical Forward Characteristics

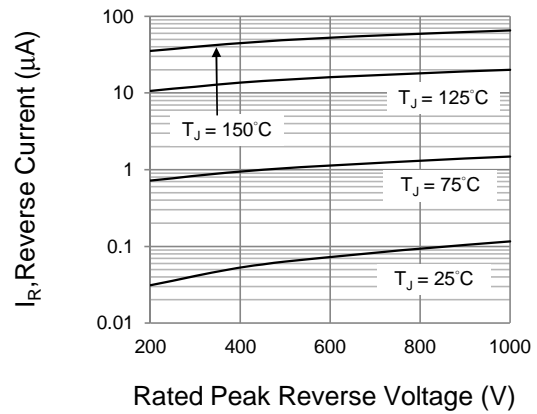


Fig.4 Typical Reverse Characteristics



10A05 SERIES

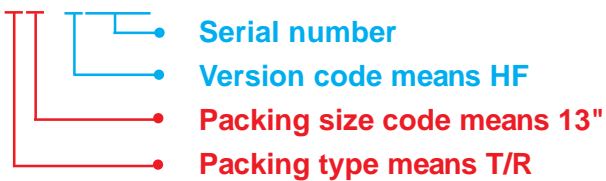
Part No_packing code_Version

10A05_AY_00001
10A05_AY_10001
10A05_B0_00001
10A05_B0_10001
10A05_R2_00001
10A05_R2_10001

For example :

RB500V-40_R2_00001

Part No.



Packing Code XX				Version Code XXXXX		
Packing type	1 st Code	Packing size code	2 nd Code	HF or RoHS	1 st Code	2 nd ~5 th Code
Tape and Ammunition Box (T/B)	A	N/A	0	HF	0	serial number
Tape and Reel (T/R)	R	7"	1	RoHS	1	serial number
Bulk Packing (B/P)	B	13"	2			
Tube Packing (T/P)	T	26mm	X			
Tape and Reel (Right Oriented) (TRR)	S	52mm	Y			
Tape and Reel (Left Oriented) (TRL)	L	PANASERT T/B CATHODE UP (PBCU)	U			
FORMING	F	PANASERT T/B CATHODE DOWN (PBCD)	D			