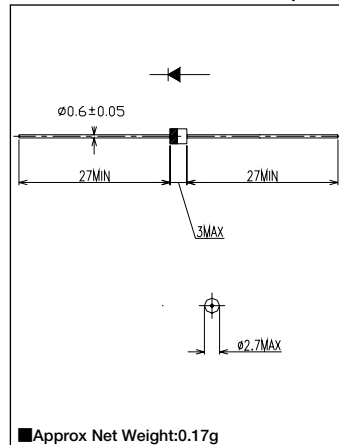


1A Avg. 200 Volts Standard Recovery Diode 10EDA20

■最大定格 Maximum Ratings

| Item | Symbol | Conditions | Unit |
|--|-------------------|--|---|
| くり返しピーク逆電圧 Repetitive Peak Reverse Voltage | V_{RRM} | 200 | V |
| 平均整流電流 Average Rectified Output Current | I_O | 50Hz 正弦半波抵抗負荷 50Hz half sine wave Resistance load | $T_a=39^\circ\text{C}^{*1}$ 1.0 A |
| | | | $T_a=26^\circ\text{C}^{*2}$ 0.9 A |
| 実効順電流 R.M.S. Forward Current | $I_F(\text{RMS})$ | 1.57 | A |
| サージ順電流 Surge Forward Current | I_{FSM} | 45 50Hz正弦半波, 1サイクル, 非くり返し 50Hz Half Sine Wave, 1cycle, Non-repetitive | A |
| 動作接合温度範囲 Operating Junction Temperature Range | T_{jw} | -40~+150 | °C |
| 保存温度範囲 Storage Temperature Range | T_{stg} | -40~+150 | °C |

■OUTLINE DRAWING(mm)



■電氣的・熱的特性 Electrical/Thermal Characteristics

| Item | Symbol | Conditions | Min. | Typ. | Max. | Unit |
|--------------------------------|---------------|--|------|------|------|---------------|
| ピーク逆電流 Peak Reverse Current | I_{RM} | $T_j=25^\circ\text{C}, V_{RM}=V_{RRM}$ | — | — | 10 | μA |
| ピーク順電圧 Peak Forward Voltage | V_{FM} | $T_j=25^\circ\text{C}, I_{FM}=1\text{A}$ | — | — | 1.0 | V |
| 熱抵抗 Thermal Resistance | $R_{th(j-a)}$ | 接合部・周囲間 Junction to Ambient | — | — | 110 | °C/W |
| | | プリント基板実装*1 単体フィン無し*2 | — | — | 140 | °C/W |

*1: プリント基板実装 / P.C. Board mounted (L=3mm, Print Lands=5×5 mm, Both Sides)
*2: 単体フィン無し / Without Fin or P.C. Board mounted

■定格・特性曲線

