

RECTIFIER STACK (BRIDGE)

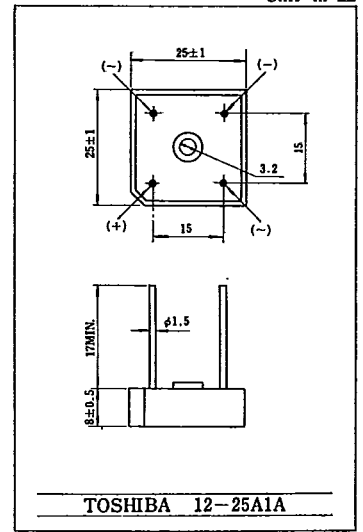
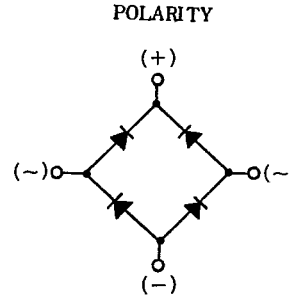
www.DataSheet4U.com

10J4B41

600V 10A

MAXIMUM RATINGS

CHARACTERISTIC	SYMBOL	RATING	UNIT	
Repetitive Peak Reverse Voltage	VRRM	10B4B41	100	V
		10D4B41	200	
		10G4B41	400	
		10J4B41	600	
Average Output Rectified Current	Io	Ta=30°C	4.3A	A
		Tf=80°C	10A	
Peak One Cycle Surge Forward Current (Non-Repetitive)	IFSM	200	A	
Junction Temperature	Tj	-40~150	A	
Storage Temperature Range	Tstg	-40~150	°C	
Screw Torque		7	kg cm	

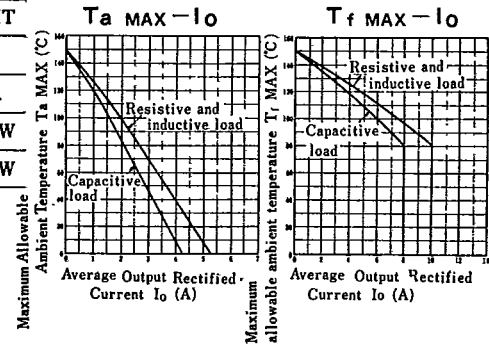


ELECTRICAL CHARACTERISTICS

CHARACTERISTIC	SYMBOL	CONDITION	MIN.	MAX.	UNIT
Peak Forward Voltage	VFM	IFM=15A, Ta=25°C	-	1.05	V
Repetitive Peak Reverse Current	IRRM	VRRM=Rated, Tj=25°C	-	10	μA
Thermal Resistance (Junction to Fin)	Rth(j-f)	DC	-	3.6	°C/W
Thermal Resistance (Junction to Ambient)	Rth(j-a)	DC	-	16	°C/W

Notes : 1. Fully coat the contact surface between the cooling fin and rectifier stack with silicon grease, and contact them each other.

2. Tf : External cooling fin temperature.

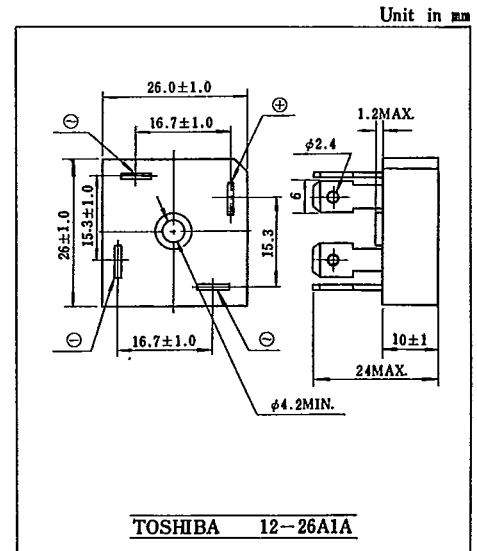


15J4B41

600V 15A

MAXIMUM RATINGS

CHARACTERISTIC	SYMBOL	RATING	UNIT	
Repetitive Peak reverse voltage	VRRM	15B4B41	100	V
		15D4B41	200	
		15G4B41	400	
		15J4B41	600	
Average Output Rectified Current	Io	Ta=30°C	5.0	A
		Tf=86°C	15	
Peak One Cycle Surge Current	IFSM	250	A	
Junction temperature	Tj	-40~150	°C	
Storage Temperature Range	Tstg	-40~150	°C	
Screw Torque		10	kg cm	



ELECTRICAL CHARACTERISTICS

CHARACTERISTIC	SYMBOL	CONDITION	MIN.	MAX.	UNIT
Peak Forward Voltage	VRRM	IFM=22A, Ta=25°C	-	1.0	V
Repetitive Peak Reverse Current	IRRM	VRRM=Rated, Tj=25°C	-	10	μA
Thermal Resistance (Junction to Fin)	Rth(j-f)	DC	-	2.35	°C/W
Thermal Resistance (Junction to Ambient)	Rth(j-a)	DC	-	15	°C/W

Notes : 1. Fully coat the contact surface between the cooling fin and rectifier stack with silicon grease, and then contact them each other.

