

STC TECHNOLOGY Co.,Ltd.

STC12C5A08/16/32/60

8-bit micro-controller

Features	3
General Description	4
Order Information:	4
Pin Description.....	5
Pin Definition.....	5
Pin Configuration.....	7
Block Diagram	9
Address Map	10
Bits Description	11
Memory.....	13
Organization.....	13
RAM	13
Embedded Flash.....	14
ALE OUTPUT	15
Functional Description.....	17
I/O Port Configuration	17
Timer/Counter	21
BAUD-RATE GENERATOR(BRT).....	25
Interrupt.....	27
Watch Dog Timer	34
Universal Asynchronous Serial Port (UART).....	36
Secondary Universal Asynchronous Serial Port (S2)	40
Programmable Counter Array (PCA).....	45
Serial Peripheral Interface(SPI)	55
Analog to Digital Converter.....	63
Power Management	66
In System Programming and In Application Programming.....	69
In System Programming (ISP)	69
In-Application Program (IAP)	72
Instructions Set.....	72
Absolute Maximum Rating (STC12C5Axx)	75
DC Characteristics (STC12C5Axx).....	75
Absolute Maximum Rating (STC12LE5Axx)	76
DC Characteristics (STC12LE5Axx)	76
Package Dimension.....	77

STC Technology Co., Ltd.

Features

- Enhanced 80C51 Central Processing Unit
- 3.3V/5V operation voltage, built-in Low-Voltage Detector and Reset circuit
- Operation frequency range up to 25MHz
- Max 64K bytes on-chip flash memory with ISP/IAP capability
- 256 byte scratch-pad RAM and 1024 bytes of auxiliary RAM
- Two-level code protection for flash memory access
- Two 16-bit timer/counter
- 10 sources, 4-level-priority interrupt capability
- Secondary UART2 with self baud-rate generator
- One enhanced UART with automatic address recognition and frame error detection
- SPI Master/Slave communication interface
- 15 bits Watch-Dog-Timer with 8-bit pre-scalar, one-time enabled
- Two Channel Programmable Counter Array (PCA)
- 10-bit Analog-to-Digital Converter (ADC)
- Power control: idle mode and power-down mode, Power-down can be woken-up through INT0 and INT1
- 44(max) programmable I/O ports
- Alternative built-in 6MHz oscillator
- Fully static operation
- Excellent noise immunity
- Very low power consumption
- Package type:
 - PDIP-40:
 - LQFP-44
 - PQFP-44
 - PLCC-44

General Description

STC12C5Axx is a single-chip 8-bit micro-controller with instruction sets fully compatible with industrial-standard 80C51 series micro controller.

There is very excellent MCU kernel built in this device compared to general 80C51 MCUs those take twelve oscillating cycles to finish an instruction, the device could take only one oscillating cycle to finish one instruction.

There is 8K(max) bytes flash memory embedded which could be used as program or data. Also the In-System Programming and In-Application Programming mechanisms are supported. The data endurance of the embedded flash gets over 20,000 times, and 21 years data retention is guaranteed.

The operation frequency reaches at 25MHz. An user can apply a crystal oscillator for the oscillating source, or alternatively uses the built in 6MHz RC oscillator to save system cost.

The built in 10Bits Analog-To-Digital Converter make it easy to sensing the environment or implement a set of scan keys in low cost.

The UART interfaces make the device convenient to communicate with the peripheral component, say talking to a personal computer via RS-232 port, or communicating with a serial memory.

The Pulse-Width-Modulator (PWM) and Programmable Counter Array (PCA) make the device to drive the peripheral step motor or LED in least cost.

The STC12xx is really the most efficient MCU adapted for simple control, say electronic scales, remote controller, security encoder/decoder, and user interface controller.

Order Information:

Part Number	Temperature Range	Package	Packing	Operation Voltage
12x5Aaa-bbb-cc-d-eee-ff	-40°C~+85°C	PDIP-40	Tray	LE3.3V/ C:5V
12x5Aaa-bbb-cc-d-eee-ff	-40°C~+85°C	PLCC-44	Tray	LE3.3V/ C:5V
12x5Aaa-bbb-cc-d-eee-ff	-40°C~+85°C	LQFP-48	Tray	LE3.3V/ C:5V
12x5Aaa-bbb-cc-d-eee-ff	-40°C~+85°C	LQFP-44	Tray	LE3.3V/ C:5V

.x: voltage aa: rom size bbb:ADC,PWM .or. none cc:active frequency

.d: temperature "I" for industrial eeee: package type ff: pin count

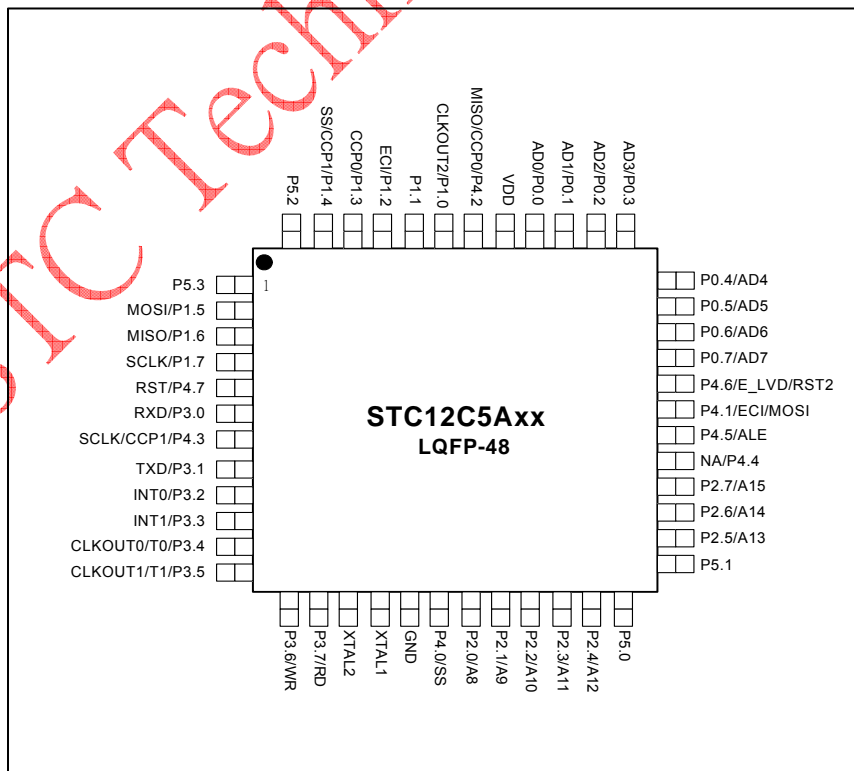
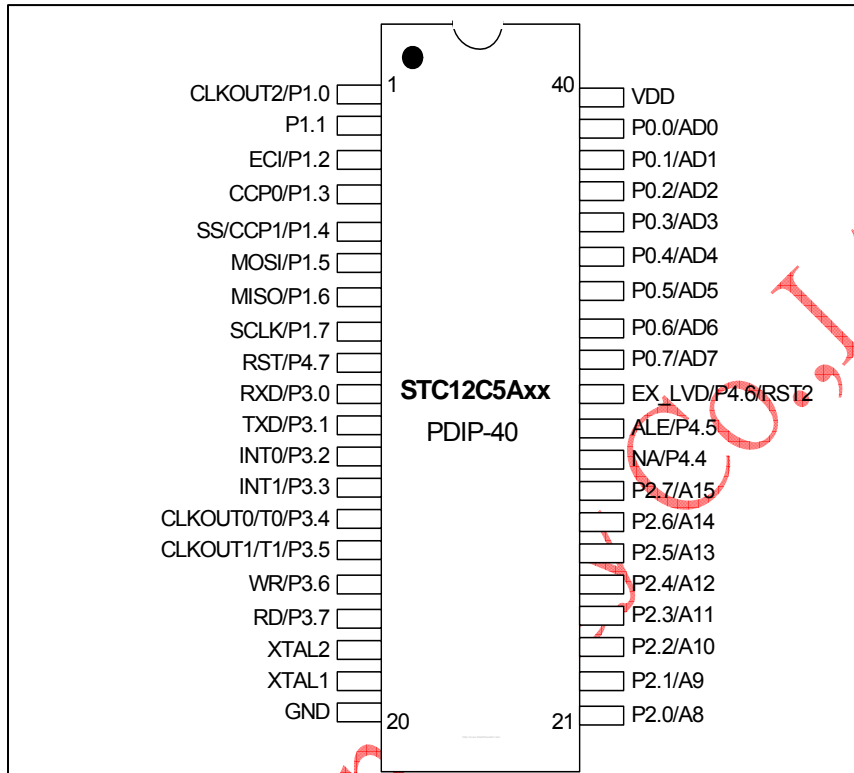
Pin Description

Pin Definition

MNEMONIC	Package Type				DESCRIPTION
	PDIP40	PLCC44	PQFP44	LQFP48	
P0.0 ~ P0.7	32-39	43-34	37-30	40-33	Port0: Port0 is an open-drain, bi-directional IO port. When 1s are written to Port0, they become high-impedance inputs. Port0 is also the multiplexed low-order address and data bus during accesses to external program and data memory.
P1.0 /ADC0/ CLKOUT2	1	2	40	43	Port1: General-purposed I/O with weak pull-up resistance inside. When 1s are written into Port1, the strong output driving PMOS only turn-on two period and then the weak pull-up resistance keep the port high. ADCn: Analog to Digital Converter Input.
P1.1/ADC1	2	3	41	44	
P1.2/ADC2/ECI/ RXD2	3	4	42	45	
P1.3/ADC3/CCPO/ TXD2	4	5	43	46	
P1.4/ADC4/CCP1/SS	5	6	44	47	
P1.5/ADC5/MOSI	6	7	1	2	
P1.6/ADC6/MISO	7	8	2	3	
P1.7/ADC7/SCLK	8	9	3	4	
P2.0 ~ P2.7	21-28	24-31	18-25	19-23 26-28	Port2: Port2 is an 8-bit bi-directional I/O port with pull-up resistance. Except being as GPIO, Port2 emits the high-order address byte during accessing to external program and data memory.
P3.0/RXD	10-17	11	5	6	Port3: General-purposed I/O with weak pull-up resistance inside. When 1s are written into Port1, the strong output driving PMOS only turn-on two period and then the weak pull-up resistance keep the port high. Port3 also serves the special function of STC12C5Axx.
P3.1/TXD		13	7	8	
P3.2/INT0		14	8	9	
P3.3/INT1		15	9	10	
P3.4/T0/CLKOUT0		16	10	11	
P3.5/T1/CLKOUT1		17	11	12	
P3.6/WR		18	12	13	
P3.7/RD		19	13	14	

P4.0/SS		23	17	18	Port4: Port4 are extended I/O ports such like Port1. It can be available only on 44L-PLCC, 44L-PQFP and 48L-LQFP. ALE: Address Latch EX_LVD: External Low Voltage Reset Detector.
P4.1/ECI/MOSI		34	28	31	
P4.2/CCP0/MISO		1	39	42	
P4.3/CCP1/SCLK		12	6	7	
P4.4/NA	29	32	26	29	
P4.5/ALE	30	33	27	30	
P4.6/EX_LVD/RST2	31	35	29	32	
P4.7/RST	9	10	4	5	RESET: A high on this pin for at least two machine cycles will reset the device.
RESET	9	10	4	5	
P5.0				24	Port5: Port4 are extended I/O ports such like Port1. It can be available only on 48L-LQFP.
P5.1				25	
P5.2				48	
P5.3				1	
XTAL1	19	21	15	16	Crystal1: Input to the inverting oscillator amplifier.
XTAL2	18	20	14	15	Crystal2: Output from the inverting amplifier.
VDD	40	44	38	41	Power
VSS	20	22	16	17	Ground

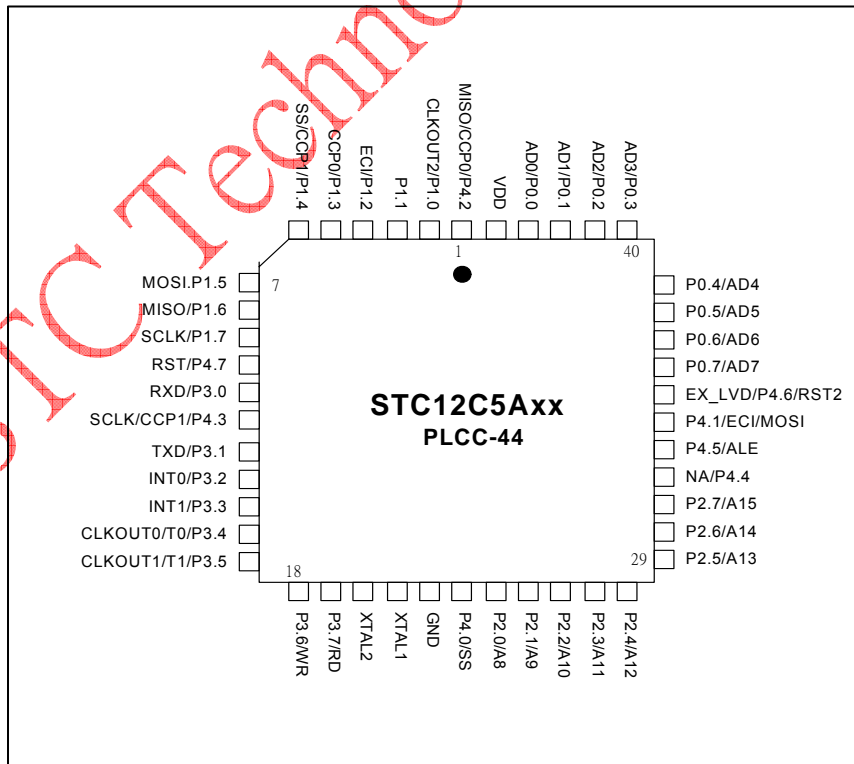
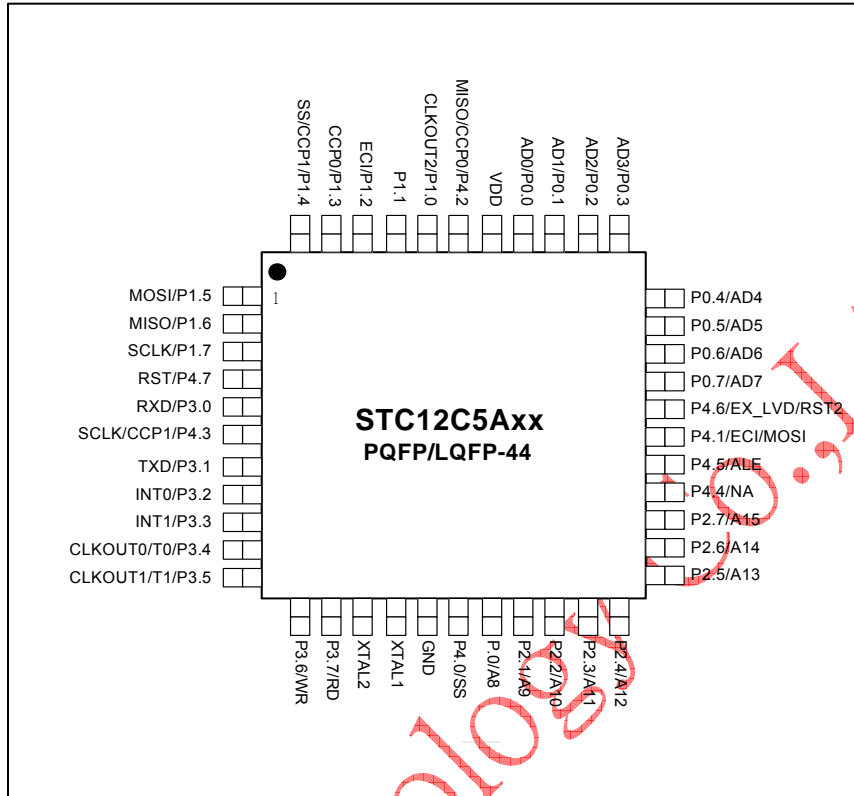
Pin Configuration



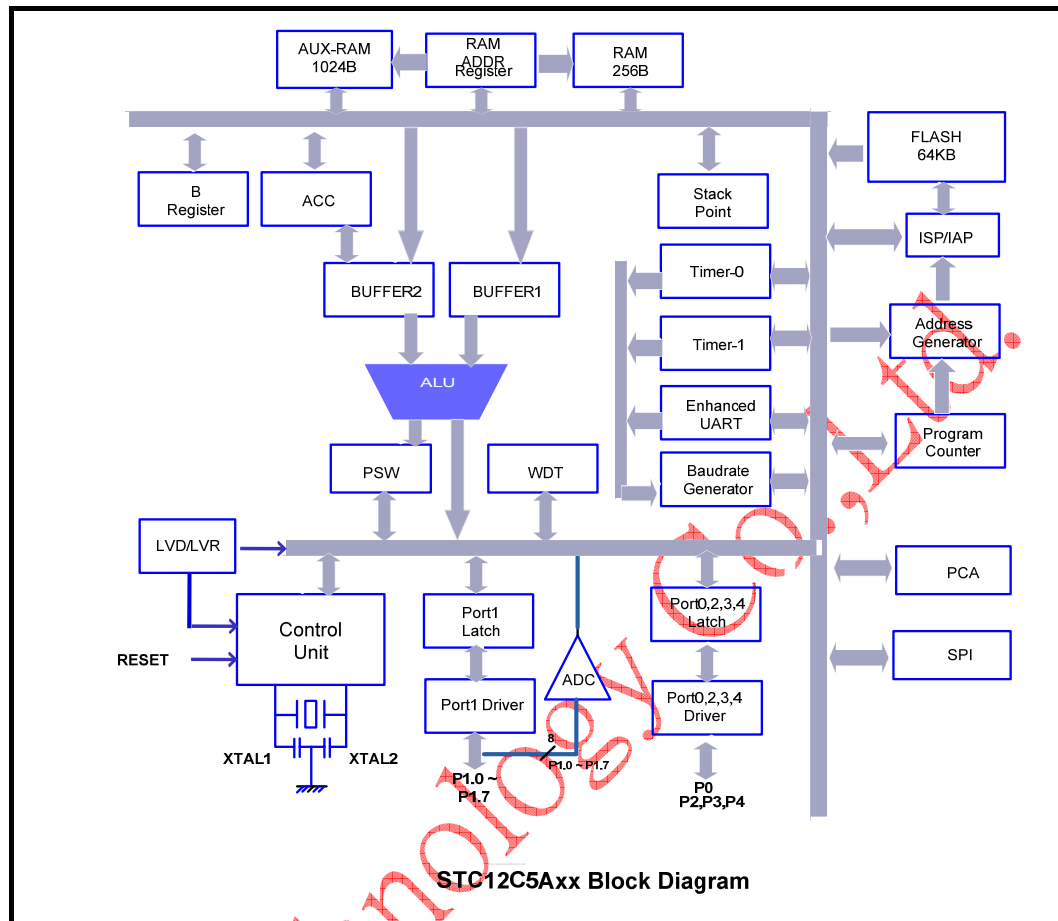
STC TECHNOLOGY Co.,Ltd.

STC12C5A08/16/32/60

8-bit micro-controller



Block Diagram



Special Function Register

Address Map

	9	A	B	C	D	E	F	
F8		CH	CCAP0H	CCAP1H				
F0	B		PCAPWM0*	PCAPWM1*				
E8		CL	CCAP0L	CCAP1L				
E0	ACC							
D8	CCON	CMOD	CCAPM0	CCAPM1				
D0	PSW							
C8	P5	P5M1	P5M0		SPSTAT	SPCTL	SPDAT	
C0	P4	WDT_CONTR	IAP_DATA	IAP_ADDRH	IAP_ADDRL	IAP_CMD	IAP_TRIG	IAP_CONTR
B8	IP	SADEN		P4SW	ADC_CONTR	ADC_RES	ADC_RESL	
B0	P3	P3M1	P3M0	P4M1	P4M0	IP2	IP2H	IPHIPH
A8	IE	SADDR						
A0	P2	BUS_SPEED	AUXR1					TEST_WDT
98	SCON	SBUF	S2CON	S2SBUF	BRT	P1ASF		
90	P1	P1M1	P1M0	P0M1	P0M0	P2M1	P2M0	CLK_DIV
88	TCON	TMOD	TL0	TL1	TH0	TH1	AUXR	WAKE_CLK0
80	P0	SP	DPL	DPH				PCON

* Write Only

STC Technology

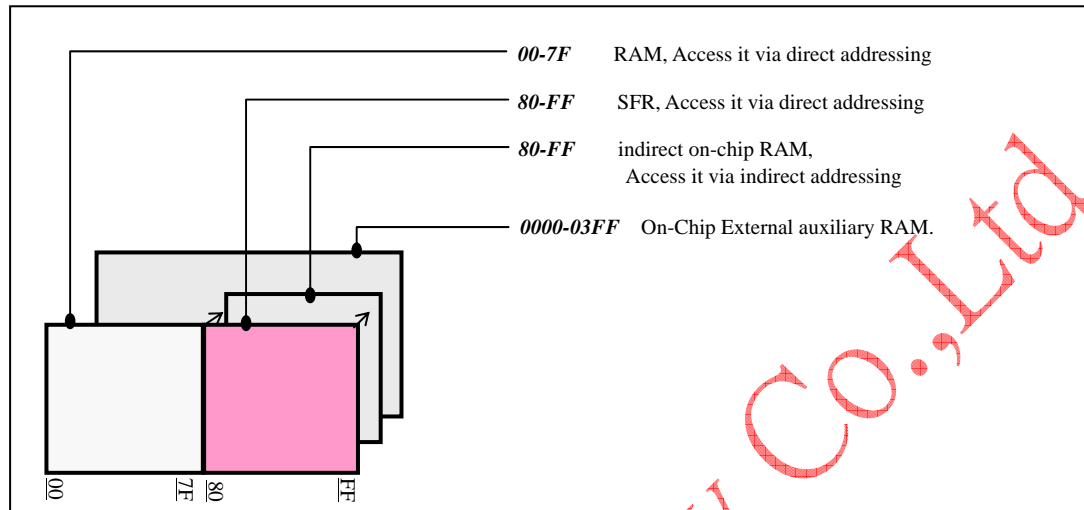
Bits Description

SYMBOL	ADDRESS	BIT ADDRESS AND SYMBOL								INITIAL VALUE
		MSB				LSB				
P0	80H									xxxx1111B
SP	81H									0000111B
DPL	82H									0000000B
DPH	83H									0000000B
PCON	87H	--	--	--	--	--	--	PD	IDL	xxxxxx00B
TCON	88H	TF1	TR1	TF0	TR0	IE1	IT1	IE0	IT0	0000000B
TMOD	89H	GATE	C/T	M1	M0	GATE	C/T	M1	M0	0000000B
TL0	8AH									0000000B
TL1	8BH									0000000B
TH0	8CH									0000000B
TH1	8DH									0000000B
AUXR	8EH	T0X12	T1X12	UART_	BRTR	S2SMOD	BRTX12	EXTRAM	S1BRS	00xxxxxxB
WAKE_CLKO	8FH	PCA	RXD_PIN_	T1_PIN_	T0_PIN_	LVD_WA	BRTCLK	T1CLKO	T0CLKO	0000x00B
P1	90H	P1.7	P1.6	P1.5	P1.4	P1.3	P1.2	P1.1	P1.0	11111111B
P1M1	91H	P1.7M1	P1.6M1	P1.5M1	P1.4M1	P1.3M1	P1.2M1	P1.1M1	P1.0M1	0000000B
P1M0	92H	P1.7M0	P1.6M0	P1.5M0	P1.4M0	P1.3M0	P1.2M0	P1.1M0	P1.0M0	0000000B
P0M1	93H	P0.7M1	P0.6M1	P0.5M1	P0.4M1	P0.3M1	P0.2M1	P0.1M1	P0.0M1	0000000B
P0M0	94H	P0.7M0	P0.6M0	P0.5M0	P0.4M0	P0.3M0	P0.2M0	P0.1M0	P0.0M0	0000000B
P2M1	95H	P2.7M1	P2.6M1	P2.5M1	P2.4M1	P2.3M1	P2.2M1	P2.1M1	P2.0M1	0000000B
P2M0	96H	P2.7M0	P2.6M0	P2.5M0	P2.4M0	P2.3M0	P2.2M0	P2.1M0	P2.0M0	0000000B
CLK_DIV	97H						CLKS2	CLKS1	CLKS0	xxxxx000B
SCON	98H	SM0	SM1	SM2	REN	TXSTS	TISEL	TI	RI	0000000B
SBUF	99H	SD7	SD6	SD5	SD4	SD3	SD2	SD1	SD0	xxxxxxx0B
S2CON	9AH	S2SM0	S2SM1	S2SM2	S2REN	S2TB8	S2RB8	S2TI	S2RI	0000000B
S2SBUF	9BH	S2D7	S2D6	S2D5	S2D4	S2D3	S2D2	S2D1	S2D0	xxxxxxx0B
BRT	9CH									0000000B
P1SF	9DH	P1.7ASF	P1.6ASF	P1.5ASF	P1.4ASF	P1.3ASF	P1.2ASF	P1.1ASF	P1.0ASF	0000000B
P2	A0H	P2.7	P2.6	P2.5	P2.4	P2.3	P2.2	P2.1	P2.0	11111111B
BUS_SPEED	A1H			ALES1	ALES0		RWS2	RWS1	RWS0	xx100x11B
AUXR1	A2H		PCA_P4	SPI_P4	S2_P4	GF2	ADRJ		DPS	0000000B
TEST_WDT	A7H									0xx00000B
IE	A8H	EA	--	ESPI	ES	ET1	EX1	ET0	EX0	0x000000B
SADDR	A9H	--	--	--	--	--				0000000B
IE2	AFH							ESPI	ES2	xxxxxx00B
P3	B0H	P3.7	P3.6	P3.5	P3.4	P3.3	P3.2	P3.1	P3.0	11111111B
P3M1	B1H	P3.7M1	P3.6M1	P3.5M1	P3.4M1	P3.3M1	P3.2M1	P3.1M1	P3.0M1	0000000B
P3M0	B2H	P3.7M0	P3.6M0	P3.5M0	P3.4M0	P3.3M0	P3.2M0	P3.1M0	P3.0M0	0000000B
P4M1	B3H	P4.7M1	P4.6M1	P4.5M1	P4.4M1	P4.3M1	P4.2M1	P4.1M1	P4.0M1	0000000B
P4M0	B4H	P4.7M0	P4.6M0	P4.5M0	P4.4M0	P4.3M0	P4.2M0	P4.1M0	P4.0M0	0000000B
IP2	B5H							PSP1	PS2	xxxxxx00B
IP2H	B6H							PSP1H	PS2H	xxxxxx00B
IPH	B7H	PPCAH	PLVDH	PADCH	PSH	PT1H	PX1H	PT0H	PX0H	0000000B
IP	B8H	PPCA	PLVD	PADC	PS	PT1	PX1	PT0	PX0	0000000B

SADEN	B9H									0000000B
P4SW	BBH		LVD_P4.6	ALE_P4.5	NA/P4.4					x000xxxB
ADC_CONTR	BCH	ADC	SPEED1	SPEED0	ADC_	ADC_	CHS2	CHS1	CHS0	0000000B
ADC_RES	BDH									0000000B
ADC_RESL	BEH									0000000B
P4	C0H									1111111B
WDT_CONTR	C1H	WDT_	--	EN_WDT	CLR_	IDL_	PS2	PS1	PS0	xx00000B
IAP_DATA	C2H									1111111B
IAP_ADDRESS	C3H									0000000B
IAP ADDRESS	C4H									0000000B
IAP CMD	C5H							MS1	MS0	xxxxxx0B
IAP_TRIG	C6H									xxxxxxxxB
IAP_CONTR	C7H	IAPEN	SWBS	SWRST	CMD_Fail		WT2	WT1	WT0	00001000B
P5	C8H									
P5M1	C9H	P5.7M1	P5.6M1	P5.5M1	P5.4M1	P5.3M1	P5.2M1	P5.1M1	P5.0M1	xxxx0000B
P5M0	CAH	P5.7M0	P5.6M0	P5.5M0	P5.4M0	P5.3M0	P5.2M0	P5.1M0	P5.0M0	xxxx0000B
SPSTAT	CDH	SPIF	WCOL							00xxxxxB
SPCTL	CEH	SSIG	SPEN	DORD	MSTR	CPOL	CPHA	SPR1	SPR0	0000100B
SPDAT	CFH									0000000B
PSW	D0H	CY	AC	F0	RS1	RS0	OV	--	P	0000000B
CCON	D8H	CF	CR					CCF1	CCF0	00xxx00B
CMOD	D9H	CIDL				CPS2	CPS1	CPS0	ECF	0xxx0000B
CCAPM0	DAH		ECOM0	CAPP0	CAPN0	MAT0	TOG0	PWM0	ECCF0	x0000000B
CCAPM1	DBH		ECOM1	CAPP1	CAPN1	MAT1	TOG1	PWM1	ECCF1	x0000000B
ACC	E0H									00000000B
CL	E9H	WRF	--	ENW	CLW	WIDL	PS2	PS1	PS0	0x000000B
CCAP0L	EAH									11111111B
CCAP1L	EBH									00000000B
B	F0H									00000000B
PCA_PWM0	F2H	--	--	--	--	--	--	EPC0H	EPC0L	xxxxxx00B
PCA_PWM1	F3H							EPC1H	EPC1L	xxxxxx00B
CH	F9H									00000000B
CCAP0H	FAH									00000000B
CCAP1H	FBH									00000000B

Memory

Organization



Address Space for STC12C5Axx RAM

RAM

There are 1280 bytes RAM built in STC12C5Axx.

The user can visit the leading 128-byte RAM via direct addressing instructions, we name those RAM as *direct RAM* that occupies address space 00h to 7Fh.

Followed 128-byte RAM can be visited via indirect addressing instructions, we name those RAM as *indirect RAM* that occupied address space 80h to FFh.

There are extra 1024 bytes RAM can be visited via MOVX @Ri or @DPTR instructions which are named *external* or *auxiliary* RAM. None of P0 status and P2 status will be affected during MOVX instruction.

A control bit **EXTRAM** located in SFR **AUXR.1** register is to control access of auxiliary RAM. When set, disable the access of auxiliary RAM. When clear (EXTRAM=0), this auxiliary RAM is the default target for the address range from 0x0000 to 0x03FF. If EXTRAM=0 and the target address is over 0x03FF, STC12C5Axx switches to access external RAM automatically. When EXTRAM=0, the content in DPH is ignored when the instruction MOVX @Ri is executed.

Embedded Flash

There is totally 64K byte flash embedded in the STC12C5Axx.

The user can configure the whole flash to store his application program, or he can configure the flash for both storage of application (AP) program and In-System-Program (ISP) code, even he can configure the flash for storage of AP, ISP, and In-Application-Program (IAP) memory.

If there is requirement from the user's application program to store nonvolatile parameters, the user can allocate part of the embedded flash as IAP memory by Part No..

STC Technology Co., Ltd.

ALE OUTPUT

As we have known, an 8051 MCU always outputs ALE the signal. However, the device doesn't output the ALE signal except when accessing the external data memory.

Access Timing Stretching for Low-speed Memory

To access the low-speed external data memory, the timing-stretch mechanism is designed to control the access timing of the "MOVX" instructions. The bits ALES1 and ALES0, in BUS_SPEED register, control the stretching of the setup time and hold time with respect to ALE negative edge. And, the bits RWS2, RWS1 and RWS0 control the stretching of the read/write pulse width. Users should configure STRETCH register properly to conform to the read/write requirements of the external data memory being used.

BUS_SPEED (Address=A1H, External Access Stretch Register)

BUS_SPEED register

Read/Write

Address: **0XA1H**

Default: XX10-X011

Bit	7	6	5	4	3	2	1	0
Name			ALES1	ALES0		RWS2	RWS1	RWS0

Note: The reset value for BUS_SPEED is 00100011b (0x23). That is, {ALES1,ALES0}={1,0} and {RWS2,RWS1,RWS0}={0,1,1}.

{ALES1, ALES0}:

- 00: No stretch, the P0's address setup/hold time to the following ALE falling edge is 1 clock cycle.
- 01: 1 clock stretched, the P0's address setup/hold time to the following ALE falling edge is 2 clock cycles.
- 10: 2 clocks stretched, the P0's address setup/hold time to the following ALE falling edge is 3 clock cycles.
- 11: 3 clocks stretched, the P0's address setup/hold time to the following ALE falling edge is 4 clock cycles.

{RWS2, RWS1, RWS0}:

- 000: No stretch, the MOVX read/write pulse is 1 clock cycle.
- 001: 1 clock stretched, the MOVX read/write pulse is 2 clock cycles.
- 010: 2 clocks stretched, the MOVX read/write pulse is 3 clock cycles.

- 011: 3 clocks stretched, the MOVX read/write pulse is 4 clock cycles.
- 100: 4 clocks stretched, the MOVX read/write pulse is 5 clock cycles.
- 101: 5 clocks stretched, the MOVX read/write pulse is 6 clock cycles.
- 110: 6 clocks stretched, the MOVX read/write pulse is 7 clock cycles.
- 111: 7 clocks stretched, the MOVX read/write pulse is 8 clock cycles.

STC Technology Co., Ltd.

Functional Description

I/O Port Configuration

There are 44(max) port pins on STC12C5Axx may be independently configured to one of four modes: quasi-bidirectional(standard 8051 port output), push-pull output, open-drain output or input-only. All port pins default to quasi-bidirectional after reset. Each port pin has a Schmitt-triggered input for improved input noise rejection. During power-down, all the schmitt-triggered inputs are disabled with the exception of P3.2 (INT0) and P3.3 (INT1) or RXD_PIN to drive this device escape power-down mode. Therefore such kind of pins should not be left floating during power-down.

There are several special function registers designed to configure those I/O ports.

SFR: P0M0(P0 Configuration 0)

Read/Write

Address: **0X94H**

Default: 0000-0000

Bit	7	6	5	4	3	2	1	0
Name	P0M0.7	P0M0.6	P0M0.5	P0M0.4	P0M0.3	P0M0.2	P0M0.1	P0M0.0

SFR: P0M1(P0 Configuration 1)

Read/Write

Address: **0X93H**

Default: 0000-0000

Bit	7	6	5	4	3	2	1	0
Name	P0M1.7	P0M1.6	P0M1.5	P0M1.4	P0M1.3	P0M1.2	P0M1.1	P0M1.0

SFR: P1M0(P1 Configuration 0)

Read/Write

Address: **0X92H**

Default: 0000-0000

Bit	7	6	5	4	3	2	1	0
Name	P1M0.7	P1M0.6	P1M0.5	P1M0.4	P1M0.3	P1M0.2	P1M0.1	P1M0.0

SFR: P1M1(P1 Configuration 1)

Read/Write

Address: **0X91H**

Default: 0000-0000

Bit	7	6	5	4	3	2	1	0
Name	P1M1.7	P1M1.6	P1M1.5	P1M1.4	P1M1.3	P1M1.2	P1M1.1	P1M1.0

SFR: P3M0(P3 Configuration 0)

Read/Write

Address: **0XB2H**

Default: 0000-0000

Bit	7	6	5	4	3	2	1	0
Name	P3M0.7	P3M0.6	P3M0.5	P3M0.4	P3M0.3	P3M0.2	P3M0.1	P3M0.0

SFR: P3M1(P3 Configuration 1)

Read/Write

Address: **0XB1H**

Default: 0000-0000

Bit	7	6	5	4	3	2	1	0
Name	P3M1.7	P3M1.6	P3M1.5	P3M1.4	P3M1.3	P3M1.2	P3M1.1	P3M1.0

SFR: P4M0(P4 Configuration 0)

Read/Write

Address: **0XB4H**

Default: 0000-0000

Bit	7	6	5	4	3	2	1	0
Name	P4M0.7	P4M0.6	P4M0.5	P4M0.4	P4M0.3	P4M0.2	P4M0.1	P4M0.0

SFR: P4M1(P4 Configuration 1)

Read/Write

Address: **0XB3H**

Default: 0000-0000

Bit	7	6	5	4	3	2	1	0
Name	P4M1.7	P4M1.6	P4M1.5	P4M1.4	P4M1.3	P4M1.2	P4M1.1	P4M1.0

SFR: P5M0(P5 Configuration 0)

Read/Write

Address: **0XCAH**

Default: 0000-0000

Bit	7	6	5	4	3	2	1	0
Name	P5M0.7	P5M0.6	P5M0.5	P5M0.4	P5M0.3	P5M0.2	P5M0.1	P5M0.0

SFR: P5M1(P5 Configuration 1)

Read/Write

Address: **0XC9H**

Default: 0000-0000

Bit	7	6	5	4	3	2	1	0
Name	P5M1.7	P5M1.6	P5M1.5	P5M1.4	P5M1.3	P5M1.2	P5M1.1	P5M1.0

Configuration of I/O port

PxM0n	PxM1n	Port Mode
0	0	Quasi-bidirectional(default)
0	1	Push-Pull output
1	0	Input Only (High-impedance)
1	1	Open-Drain Output

(x = 1 or 3 n = 7, 6, 5, 4, 3, 2, 1 or 0)

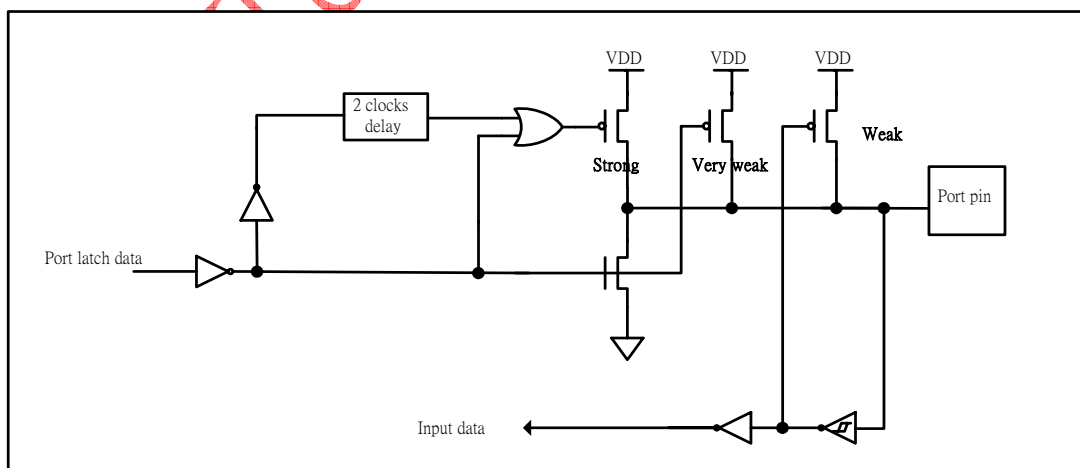
Quasi-bidirectional Mode

Port pins in quasi-bidirectional output mode function similar to the standard 8051 port pins. A quasi-bidirectional port can be used as an input and output without the need to reconfigure the port. This is possible because when the port outputs logic high, it is weakly driven, allowing an external device to pull the pin low. When the pin outputs low, it is driven strongly and able to sink a large current. There are three pull-up transistors in the quasi-bidirectional output that serve different purposes.

One of these pull-ups, called the “very weak” pull-up, is turned on whenever the port register for the pin contains a logic “1”. This very weak pull-up sources a very small current that will pull the pin high if it is left floating.

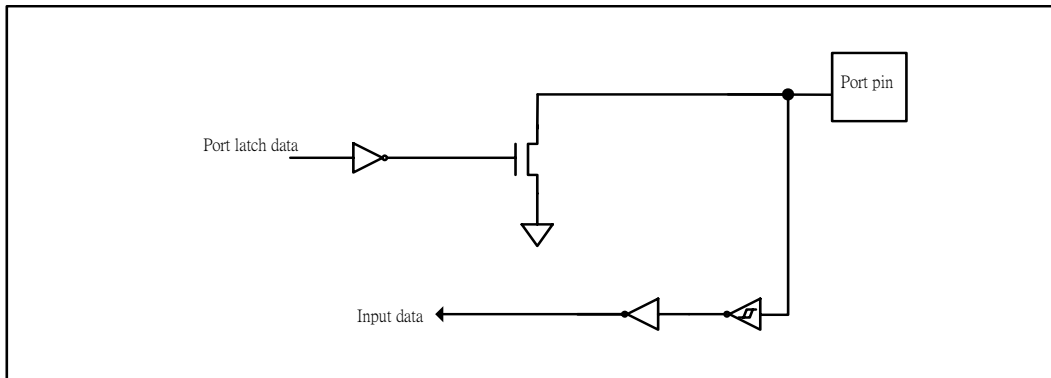
A second pull-up, called the “weak” pull-up, is turned on when the port register for the pin contains a logic “1” and the pin itself is also at a logic “1” level. This pull-up provides the primary source current for a quasi-bidirectional pin that is outputting a ‘1’. If this pin is pulled low by the external device, this weak pull-up turns off, and only the very weak pull-up remains on. In order to pull the pin low under these conditions, the external device has to sink enough current to over-power the weak pull-up and pull the port pin below its input threshold voltage.

The third pull-up is referred to as the “strong” pull-up. This pull-up is used to speed up low-to-high transitions on a quasi-bidirectional port pin when the port register changes from a logic “0” to a logic “1”. When this occurs, the strong pull-up turns on for two CPU clocks, quickly pulling the port pin high.



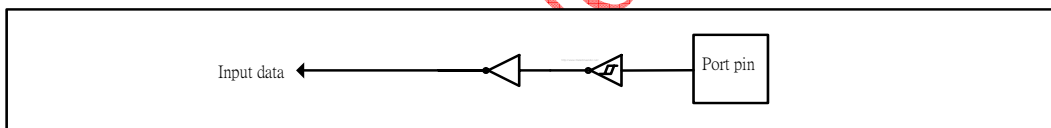
Open-drain Output

The open-drain output configuration turns off all pull-ups and only drives the pull-down transistor of the port pin when the port register contains logic "0". To use this configuration in application, a port pin must have an external pull-up, typically tied to VDD. The input path of the port pin in this configuration is the same as quasi-bidirection mode.



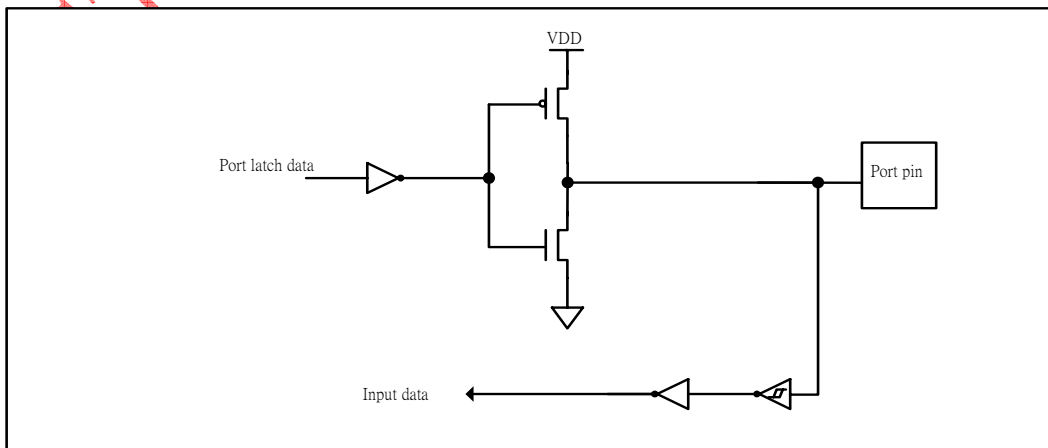
Input-only Mode

The input-only configuration is a Schmitt-triggered input without any pull-up resistors on the pin.



Push-pull Output

The push-pull output configuration has the same pull-down structure as both the open-drain and the quasi-bidirectional output modes, but provides a continuous strong pull-up when the port register contains a logic "1". The push-pull mode may be used when more source current is needed from a port output.



Timer/Counter

STC12C5Axx has two 16-bit timers, and they are named **T0** and **T1**. Each of them can also be used as a general event counter, which counts the transition from 1 to 0.

Since the STC12C5Axx is a RISC-like MCU which execute faster than traditional 80C51 MCU from other providers. Based on consideration of compatibility with traditional 80C51 MCUs, the frequency of the clock source for **T0** and **T1** is designed to be selectable between oscillator frequency divided-by-12 (default) or oscillator frequency.

The user can configure T0/T1 to work under mode-0, mode-1, mode-2 and mode-3. It is fully the same to a traditional 80C51 MCU.

There are two SFR designed to configure timers **T0** and **T1**. They are **TMOD**, **TCON**. The user also should take a glance of SFR **AUXR** which decide the frequency of the clock source driving the **T0** and **T1**.

SFR: **TMOD**(Timer Mode Control Register)

Read/Write

Address: **0X89H**

Default: 0000-0000

Bit	7	6	5	4	3	2	1	0
	For Timer-1 Only				For Timer-0 Only			
Name	GATE	C//T	M1	M0	GATE	C//T	M1	M0

GATE: = Gating control

0: = (default)

Timer x is enabled whenever "TRx" control bit is set.

1: =

Timer/Counter x is enabled only while "/INTx" pin is high and "TRx" control bit is set.

C//T: = Timer or Counter function selector. **0**: =timer, **1**: =counter

0: = (default)

Configure **Tx** as Timer use

1: =

Configure **Tx** as Counter use

{M1, M0}: mode select

{0, 0}: =

Configure **Tx** as 13-bit timer/counter

{0, 1}: =

Configure **Tx** as 16-bit timer/counter

{1, 0}: =

Configure **Tx** as 8-bit timer/counter with automatic reload capability

{1, 1}: =

for **T0**, set **TLO** as 8-bit timer/counter, **TH0** is locked into 8-bit timer

for **T1**, set Timer/Counter1 Stopped

SFR: TCON

Read/Write

Address: **0X88H**

Default: 0000-0000

Bit	7	6	5	4	3	2	1	0
Name	TF1	TR1	TF0	TR0	IE1	IT1	IE0	IT0

TF1: = Timer1 overflow flag.

This bit is automatically set by hardware on **T1** overflow, and will be automatically cleared by hardware when the processor vectors to the interrupt routine.

TR1: = Timer1 run control bit.

0: = (default)

Stop **T1** counting

1: =

Start **T1** counting

TF0: = Timer0 overflow flag.

This bit is automatically set by hardware on **T0** overflow, and will be automatically cleared by hardware when the processor vectors to the interrupt routine.

TR0: = Timer0 run control bit.

0: = (default)

Stop **T0** counting

1: =

Start **T0** counting

IE1: = External Interrupt-1 flag.

This bit is automatically set by hardware on interrupt from the external interrupt-1, and will be automatically cleared by hardware when the processor vectors to the interrupt routine.

IT1: = Interrupt-1 type control bit.

0: = (default)

Set the interrupt-1 triggered by low duty from pin EX1

1: =

Set the interrupt-1 triggered by negative falling edge from pin EX1

IE0: = External Interrupt-0 flag.

This bit is automatically set by hardware on interrupt from the external interrupt-0, and will be automatically cleared by hardware when the processor vectors to the interrupt routine.

IT0: = Interrupt-0 type control bit.

0: = (default)

Set the interrupt-0 triggered by low duty from pin EX1

1: =

Set the interrupt-0 triggered by negative falling edge from pin EX1

SFR: AUXR (Auxiliary Register)

Read/Write

Address: **0x8EH**

Default: 00XX-XXXX

Bit	7	6	5	4	3	2	1	0
Name	T0X12	T1X12	UARTM0X6	BRTR	S2SMOD	BRTRX12	EXTRAM	S1BRS

T0X12: = **T0** clock source selector

0: = (default)

Set the frequency of the clock source for **T0** as the oscillator frequency divided-by-12.
It will compatible to the traditional 80C51 MCU.

1: =

Set the frequency of the clock source for **T0** as the oscillator frequency.
It will drive the **T0** faster than a traditional 80C51 MCU.

T1X12: = **T1** clock source selector

0: = (default)

Set the frequency of the clock source for **T1** as the oscillator frequency divided-by-12.
It will compatible to the traditional 80C51 MCU.

1: =

Set the frequency of the clock source for **T1** as the oscillator frequency.
It will drive the **T1** faster than a traditional 80C51 MCU.

UARTM0X6: = Baud rate selector of UART while it is working under Mode-0

0: = (default)

Set the baud rate of the UART functional block as oscillator frequency divided-by-12.
It will compatible to the traditional 80C51 MCU.

1: =

Set the baud rate of the UART functional block as oscillator frequency divided-by-2.
It will transmit/receive data faster than a traditional 80C51 MCU.

BRTR: = Setting this bit will enable the baud-rate generator of UART2 to run.

S2SMOD: = Setting this bit can double up the baud-rate of UART2.

BRTRX12: = Set this bit to set the clock source for the UART2 is BRT, or clear it to set the clock source for or the UART2 as BRT/12.

S1BRS: = S1 Baud-Rate clock source selector

0: = (default)

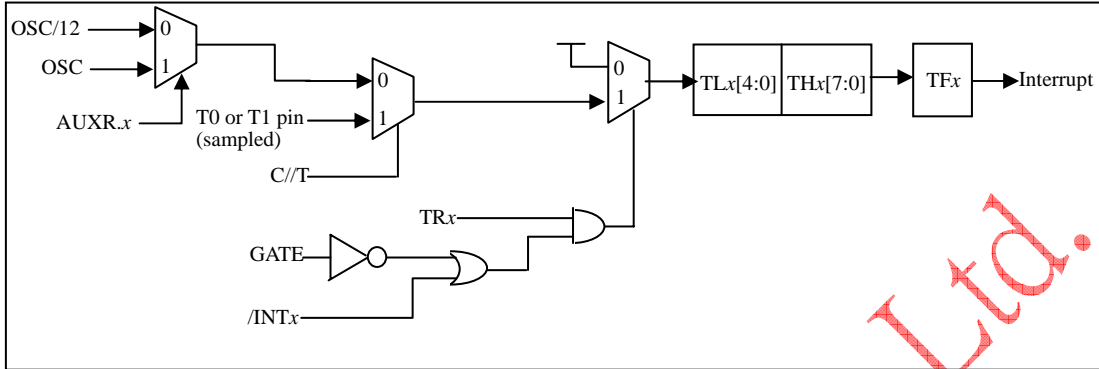
Select timer-1 for baud-rate clock source to S1

1: =

Select BRT for baud-rate clock source to S1

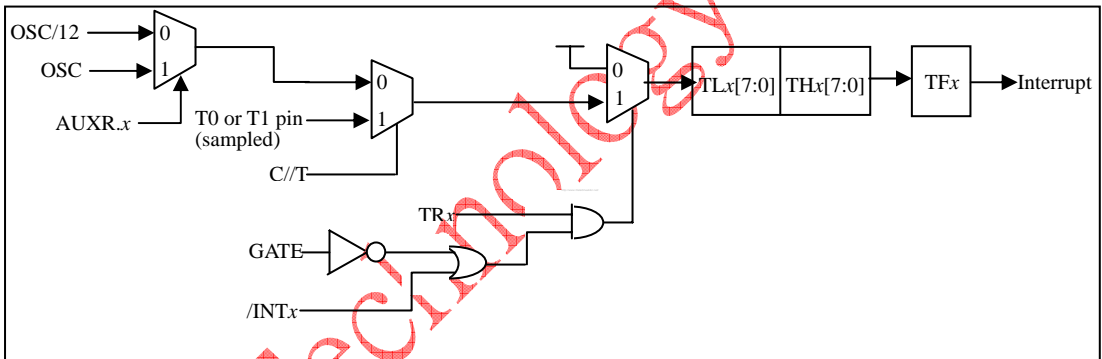
Mode 0

The timer register is configured as a 13-bit register. As the count rolls over from all 1s to all 0s, it sets the timer interrupt flag **TFx**. The counted input is enabled to the timer when **TRx = 1** and either **GATE=0** or **INTx = 1**. Mode 0 operation is the same for Timer0 and Timer1.



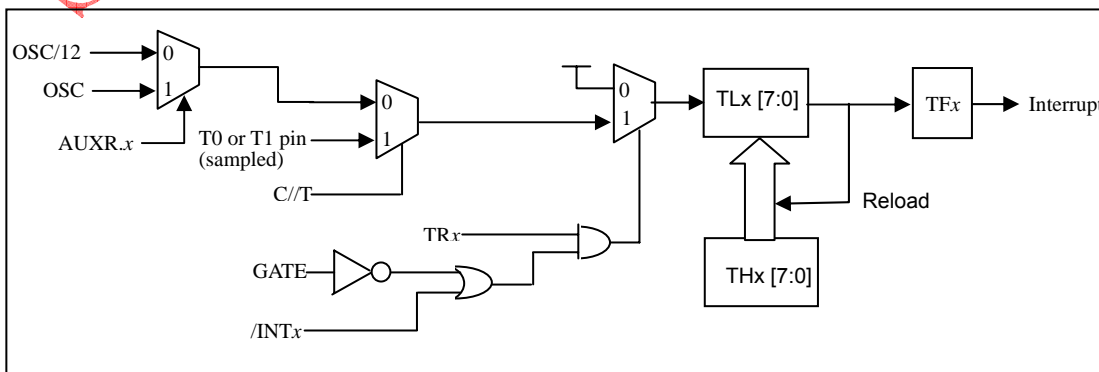
Mode 1

Mode1 is the same as Mode0, except that the timer register is being run with all 16 bits.



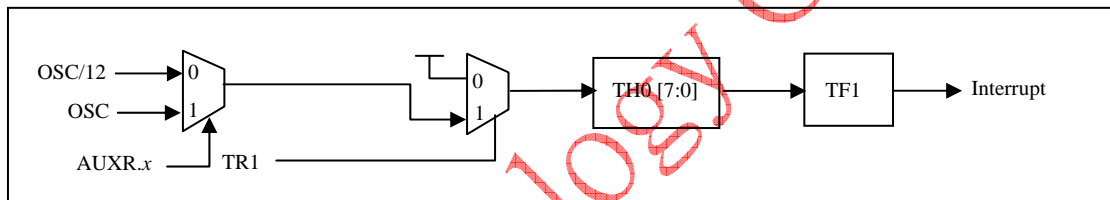
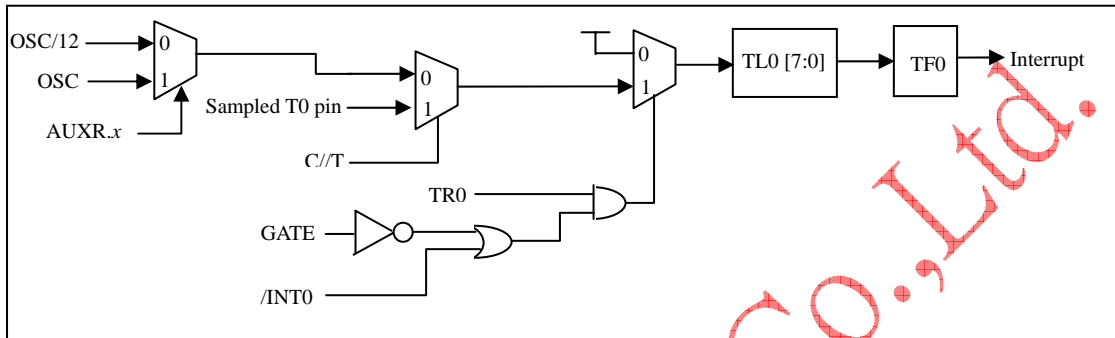
Mode 2

Mode 2 configures the timer register as an 8-bit counter (TLx) with automatic reload. Overflow from TLx does not only set TFx, but also reloads TLx with the content of THx, which is determined by user's program. The reload leaves THx unchanged. Mode 2 operation is the same for Timer0 and Timer1.



Mode 3

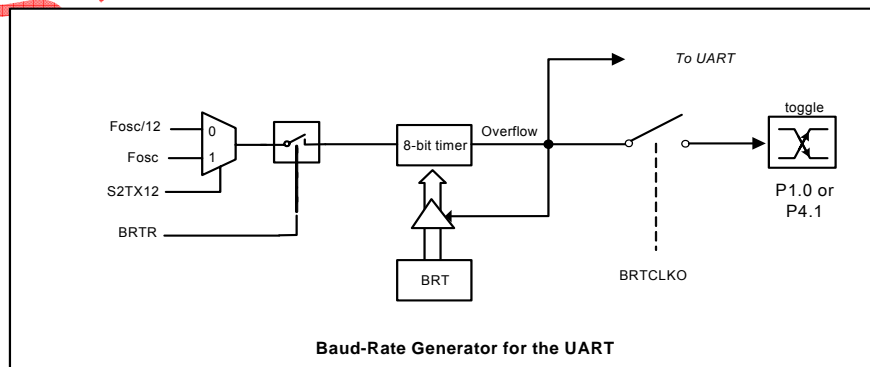
Timer1 in Mode3 simply holds its count, the effect is the same as setting TR1 = 1. Timer0 in Mode 3 enables TL0 and TH0 as two separate 8-bit counters. TL0 uses the Timer0 control bits such like C/T, GATE, TR0, INT0 and TF0. TH0 is locked into a timer function (can not be external event counter) and take over the use of TR1, TF1 from Timer1. TH0 now controls the Timer1 interrupt.



BAUD-RATE GENERATOR(BRT)

BAUD-RATE GENERATOR(BRT)

Baud-Rate Generator and P1.0/P4.1 programmable clock output



STC12C5Axx is able to generate a programmable clock output on P1.0 or P4.1. When BRTCLKO bit in WAKE_CLKO is set, BRT timer overflow pulse will toggle P1.0 or P4.1 latch to generate a 50% duty clock. The frequency of clock-out is as following :

BRT timer overflow rate =	$\frac{F_{osc}}{256 - BRT}$	<i>or</i>	$\frac{F_{osc}/12}{256 - BRT}$
---------------------------	-----------------------------	-----------	--------------------------------

P1.0 / P4.1 Clock output frequency =	$\frac{F_{osc} / 2}{256 - BRT}$	<i>or</i>	$\frac{F_{osc}/24}{256 - BRT}$
--------------------------------------	---------------------------------	-----------	--------------------------------

STC Technology Co., Ltd.

Interrupt

There are 10 interrupt sources available in STC12C5Axx. Each interrupt source can be individually enabled or disabled by setting or clearing a bit in the SFR named **IE**. This register also contains a global disable bit (**EA**), which can be cleared to disable all interrupts at once.

Each interrupt source has two corresponding bits to represent its priority. One is located in SFR named **IPH** and the other in **IP** register. Higher-priority interrupt will be not interrupted by lower-priority interrupt request. If two interrupt requests of different priority levels are received simultaneously, the request of higher priority is serviced. If interrupt requests of the same priority level are received simultaneously, an internal polling sequence determine which request is serviced. The following table shows the internal polling sequence in the same priority level and the interrupt vector address.

Source	Vector address	Priority within level
/INT0	03H	0 (highest)
Timer 0	0BH	1
/INT1	13H	2
Timer1	1BH	3
UART	23H	4
ADC	2BH	5
LVD	33H	6
PCA	3BH	7
UART2	43H	8
SPI	4BH	9

The external interrupt /INT0, and /INT1 can each be either level-activated or transition-activated, depending on bits **IT0** and **IT1** in register **TCON**. The flags that actually generate these interrupts are bits **IE0** and **IE1** in **TCON**. When an external interrupt is generated, the flag that generated it is cleared by the hardware when the service routine is vectored to *only if the interrupt was transition –activated*, otherwise the external requesting source is what controls the request flag, rather than the on-chip hardware.

The Timer0 and Timer1 interrupts are generated by TF0 and TF1, which are set by a rollover in their respective Timer/Counter registers in most cases. When a timer interrupt is generated, the flag that generated it is cleared by the on-chip hardware when the service routine is vectored to.

The serial port interrupt is generated by the logical “1” of RI and TI. Neither of these flags is cleared by hardware when the service routine is vectored to. The service routine should poll RI and TI to determine which one to request service and it will be cleared by software.

The SPI interrupt is generated by the flag **SPIF**. **It can only be cleared by writing a “1” to SPIF bit in software.**

The ADC interrupt is generated by the flag **ADC_FLAG**. It should be cleared by software.

The PCA interrupt is generated by the logical OR of **CF**, **CCF0** ~ **CCF1**. The service routine should poll **CF** and **CCF0** ~ **CCF1** to determine which one to request service and it will be cleared by software.

The Low Voltage Detect interrupt is shared by the flag **LVDF** in **PCON.5** register. They should be cleared by software.

The UART2 interrupt is generated by the logical "1" of **S2RI** and **S2TI**. Neither of these flags is cleared by hardware when the service routine is vectored to. The service routine should poll **S2RI** and **S2TI** to determine which one to request service and it will be cleared by software.

All of the bits that generate interrupts can be set or cleared by software, with the same result as though it had been set or cleared by hardware. In other words, interrupts can be generated or pending interrupts can be canceled in software.

How does the STC12C5Axx take the Interrupts

External interrupt pins and other interrupt sources are sampled at rising edge of each clock cycle. The samples are polled during the next clock cycle. If one of the flags was in a set condition of the first cycle, the second cycle of polling cycles will find it and the interrupt system will generate an hardware LCALL to the appropriate service routine as long as it is not blocked by any of the following conditions.

The 2B_H interrupt is shared by the logical "1" of ADC interrupt and interrupt. Neither of these flags is cleared by hardware when the service routine is vectored to. The service routine should poll them to determine which one to request service and it will be cleared by software.

The 4B_H interrupt is shared by the logical "1" of SPI interrupt and interrupt. Neither of these flags is cleared by hardware when the service routine is vectored to. The service routine should poll them to determine which one to request service and it will be cleared by software.

The 33_H interrupt is shared by the logical "1" of LVD interrupt (Low-Voltage Detector) interrupt. Neither of these flags is cleared by hardware when the service routine is vectored to. The service routine should poll them to determine which one to request service and it will be cleared by software.

The 3B_H interrupt is shared by the logical "1" of PCA interrupt and interrupt. Neither of these flags is cleared by hardware when the service routine is vectored to. The service routine should poll them to determine which one to request service and it will be cleared by software.

All of the bits that generate interrupts can be set or cleared by software, with the same result as though it had been set or cleared by hardware. In other words, interrupts can be generated or pending interrupts can be canceled in software.

STC TECHNOLOGY Co.,Ltd.

STC12C5A08/16/32/60

8-bit micro-controller

If one of the following conditions happens, a coming interrupt will be blocked.

- An interrupt of equal or higher priority level is already in progress.
- The current cycle(polling cycle) is not the final cycle in the execution of the instruction in progress.
- The instruction in progress is RETI or any write to SFRs **IE**, **IP**, **IP2**, **IPH** and **IP2H** registers.

Condition 2 ensures that the instruction in progress will be completed before vectoring into any service routine. Condition 3 ensures that if the instruction in progress is RETI or any access to SFRs **IE**, **IP**, **IP2**, **IPH** or **IP2H**, then at least one or more instruction will be executed before any interrupt is vectored to.

The following content describes several SFR related to interrupt mechanism.

SFR: **PSW**(Program Status Word)

Read/Write

Address: **0XD0H**

Default: XXXX-XX00

Bit	7	6	5	4	3	2	1	0
Name	CY	AC	F0	RS1	RS0	OV	F1	P

CY: = Carry flag.

AC: = Auxilliary Carry Flag.(For BCD operations)

EADC: = Interrupt controller of A/D Converter (ADC).

0: = (default)

Disable

1: =

Enable

F0: = Flag 0.(Available to the user for general purposes)

RS1: = Register bank select control bit 1.

RS0: = Register bank select control bit 0.

OV: = Overflow flag.

F1: = Flag 1. User-defined flag.

P: = Parity flag.

SFR: IE(Interrupt Enable)

Read/Write

Address: **0XA8H**

Default: XXXX-XX00

Bit	7	6	5	4	3	2	1	0
Name	EA	ELVD	EADC	ES	ET1	EX1	ET0	EX0

EA: = Global interrupt controller.

0: = (default)

Disable all interrupts

1: =

Release interrupt control to all individual interrupt controllers.

ELVD: = Interrupt controller of Low-Voltage Detector

0: = (default)

Disable

1: =

Enable

EADC: = Interrupt controller of A/D Converter (ADC).

0: = (default)

Disable

1: =

Enable

ES: = Interrupt controller of Universal Asynchronous Receiver/Transmitter (UART).

0: = (default)

Disable

1: =

Enable

ET1: = Interrupt controller of Timer-1 interrupt.

0: = (default)

Disable

1: =

Enable

EX1: = Interrupt controller of external interrupt-1.

0: = (default)

Disable

1: =

Enable

ET0: = Interrupt controller of Timer-0 interrupt.

0: = (default)

Disable

1: =

Enable

EX0: = Interrupt controller of external interrupt-0.

0: = (default)

Disable

1: =

Enable

SFR: IP(Interrupt Priority Low)

Read/Write

Address: **0xB8H**

Default: 0000-0000

Name	PPCA	PLVDI	PADC	PS	PT1	PX1	PT0	PX0
------	------	-------	------	----	-----	-----	-----	-----

PPCA: =If set, Set priority for PCA interrupt higher

PLVD: = If set, Set priority for Low Voltage interrupt higher

PADC: = If set, Set priority for ADC interrupt high

PS: = If set, Set priority for serial port interrupt higher(UART)

PT1: = If set, Set priority for timer1 interrupt higher

PX1: = If set, Set priority for external interrupt 1 higher

PT0: =If set, Set priority for timer0 interrupt higher

PX0: = If set, Set priority for external interrupt 0 higher

SFR: IPH (Interrupt Priority High)

Read/Write

Address: **0xB7H**

Default: 0000-0000

Name	PPCAH	PLVDH	PADCH	PSH	PT1H	PX1H	PT0H	PX0H
------	-------	-------	-------	-----	------	------	------	------

PPCAH: =If set, Set priority for PCA interrupt higher

PLVDH: =If set, Set priority for Low Voltage interrupt higher

PADC: = If set, Set priority for ADC interrupt higher

PSH: = If set, Set priority for serial port interrupt higher (UART)

PT1H: = If set, Set priority for timer1 interrupt higher

PX1H: = If set, Set priority for external interrupt 1 higher

PT0H: = If set, Set priority for timer0 interrupt higher

PX0H: = If set, Set priority for external interrupt 0 higher

STC TECHNOLOGY Co.,Ltd.

STC12C5A08/16/32/60

8-bit micro-controller

SFR: IP2 (Interrupt Priority High)

Read/Write

Address: **0XB6H**

Default: 0000-0000

Name								PSPI	PS2

SFR: IP2H (Interrupt Priority High)

Read/Write

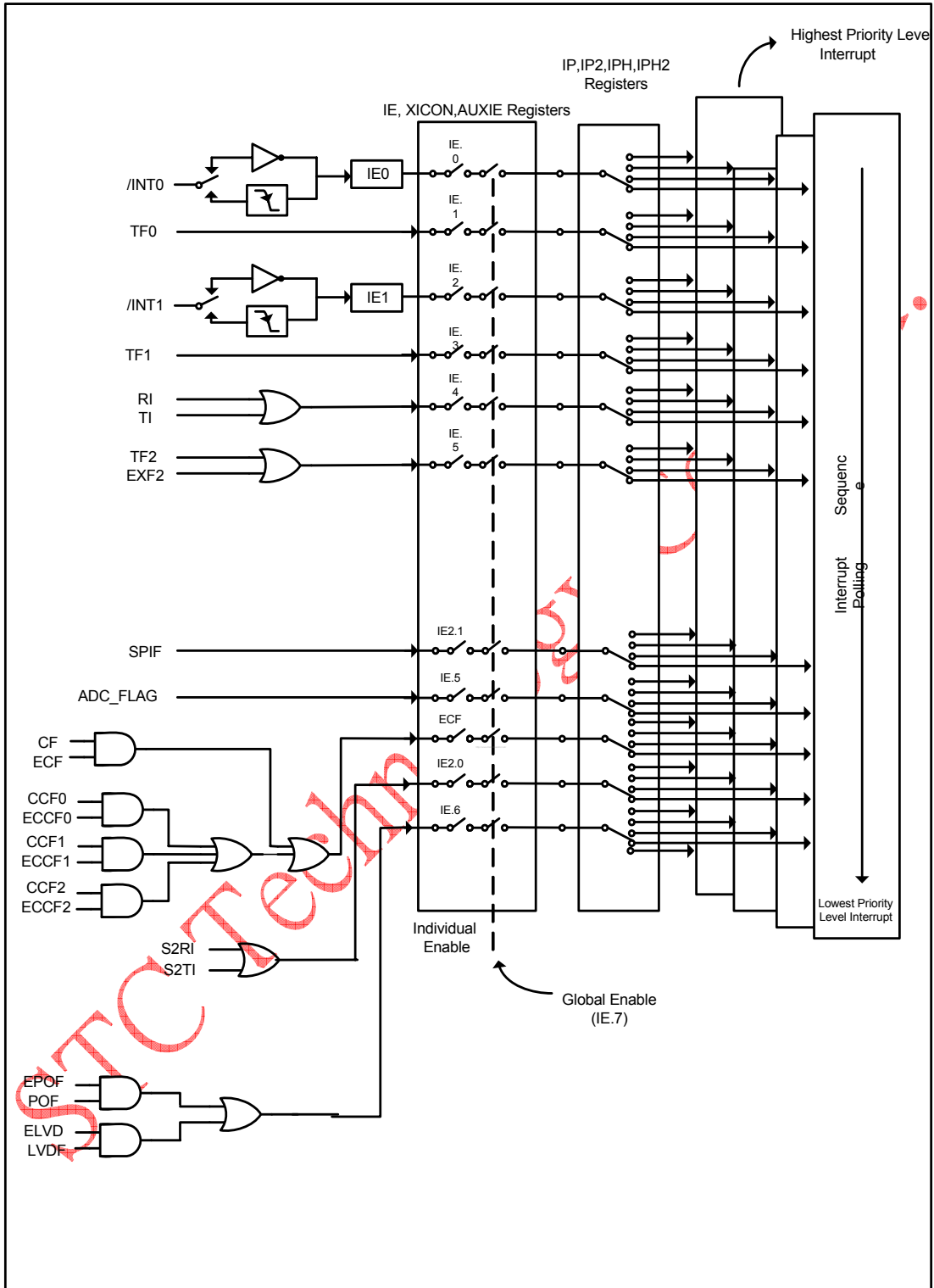
Address: **0XB7H**

Default: 0000-0000

Name								PSPIH	PS2H

IP and **IPH** are combined to form 4-level priority interrupt as the following table.

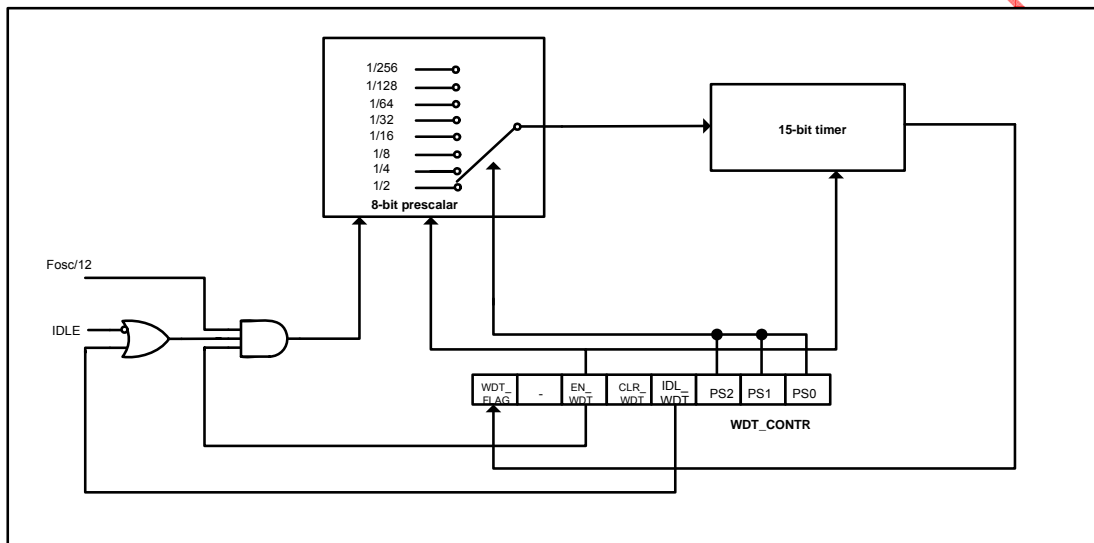
{IPH.x, IP.x}	Priority Level
11	1 (highest)
10	2
01	3
00	4



Interrupt Control Block

Watch Dog Timer

The watch dog timer in STC12C5Axx consists of an 8-bit pre-scalar timer and a 15-bit timer. The timer is one-time enabled by setting EN_WDT. Clearing ENW can not stop WDT counting. When the WDT is enabled, software should always reset the timer by writing 1 to CLR_WDT bit before the WDT overflows. If STC12C5Axx is out of control by any disturbance, that means the CPU can not run the software normally, then WDT may miss the “writing 1 to CLR_WDT” and overflow will come. WDT overflow reset the CPU to restart.



To make good use of the watch-dog-timer, the user should take notice on SFR **WDT_CONTR**.

SFR: WDT_CONTR (WDT Control Register) **C1H**

Read/Write

Address: **0XC1H**

Default: 0000-0000

Name	WDT_FLAG	EN_WDT	CLR_WDT	IDL_WDT	PS2	PS1	PS0
------	----------	--------	---------	---------	-----	-----	-----

WDT_FLAG: = When WDT overflows, this bit is set. It can be cleared by software.

EN_WDT: = Control bit to enable Watch-Dog-Timer. (One-time enabled, can not be disabled)

0: = (default)

Disable Watch Dog Timer

1: =

Enable Watch Dog Timer start counting

CLR_WDT: = Set this bit to recount WDT. Hardware will automatically clear this bit.

IDL_WDT: = Behavior controller of the WDT while the device is put under idle

0: = (default)

Stop Watch Dog Timer counting

1: =

Keep Watch Dog Timer counting (so further reset could happen)

{PS2, PS1, PS0}: selector of the WDT pre-scaler output.

{0, 0, 0}: = set the pre-scaling value 2

{0, 0, 1}: = set the pre-scaling value 4

{0, 1, 0}: = set the pre-scaling value 8

{0, 1, 1}: = set the pre-scaling value 16

{1, 0, 0}: = set the pre-scaling value 32

{1, 0, 1}: = set the pre-scaling value 64

{1, 1, 0}: = set the pre-scaling value 128

{1, 1, 1}: = set the pre-scaling value 256

STC Technology Co., Ltd.

Universal Asynchronous Serial Port (UART)

The serial port of STC12Cxx is duplex. It can transmit and receive simultaneously. The receiving and transmitting of the serial port share the same SFR **SBUF**, but actually there are two SBUF registers implemented in the chip, one is for transmitting and the other is for receiving. The serial port can be operated in 4 different modes.

Mode 0

Generally, this mode purely is used to extend the I/O features of this device.

Operating under this mode, the device receives the serial data or transmits the serial data via pin RXD, while there is a clock stream shifted via pin TXD which makes convenient for external synchronization. An 8-bit data is serially transmitted/received with LSB first. The baud rate is fixed at 1/12 the oscillator frequency. If **AUXR.5 (URM0X6)** is set, the baud rate is 1/2 oscillator frequency.

Mode1

A 10-bits data is serially transmitted through pin TXD or received through pin RXD. The frame data includes a start bit (0), 8 data bits and a stop bit (1). After finishing a receiving, the device will keep the stop bit in **RB8** which from SFR **SCON**.

$$\text{Baud Rate (for Mode 1)} = \frac{2^{\text{SMOD}}}{32} \times (\text{Timer-1 overflow rate})$$

Mode2

An 11-bit data is serially transmitted through **TXD** or received through **RXD**. The frame data includes a start bit (0), 8 data bits, a programmable 9th bit and a stop bit (1). On transmit; the 9th data bit comes from **TB8** in SFR **SCON**. On receive; the 9th data bit goes into **RB8** in **SCON**. The baud rate is programmable, and permitted to be set either 1/32 or 1/64 the oscillator frequency.

$$\text{Baud Rate (for Mode 2)} = \frac{2^{\text{SMOD}}}{64} \times \text{Fosc}$$

Mode3

Mode 3 is the same as mode 2 except the baud rate is variable.

$$\text{Baud Rate (for Mode 3)} = \frac{2^{\text{SMOD}}}{32} \times (\text{Timer-1 overflow rate})$$

In all four modes, transmission is initiated by any instruction that uses SBUF as a destination register. Reception is initiated in mode 0 by the condition **RI = 0** and **REN = 1**. Reception is initiated in the other modes by the incoming start bit with 1-to-0 transition if **REN=1**.

There are several SFRs related to serial port configuration described as following.

SFR: **SCON** (Serial Control)

Read/Write

Address: **0x98H**

Default: 0000-0000

Name	SM0/FE	SM1	SM2	REN	TB8	RB8	TI	RI
------	--------	-----	-----	-----	-----	-----	----	----

FE: = Frame Error bit

This bit is set by the receiver when an invalid stop bit is detected. The FE bit is not cleared by valid frames but should be cleared by software. The SMOD0 bit must be set to enable access to the FE bit.

{SM0, SM1}: = Used to set operating mode of the serial port.

{0, 0}: = set the serial port operate under Mode 0

{0, 1}: = set the serial port operate under Mode 1

{1, 0}: = set the serial port operate under Mode 2

{1, 1}: = set the serial port operate under Mode 3

SM2: = Enable the *automatic address recognition* feature in mode 2 and 3.

If **SM2=1**, **RI** will not be set unless the received 9th data bit is 1, indicating an address, and the received byte is a Given or Broadcast address. In mode1, if **SM2=1** then **RI** will not be set unless a valid stop Bit was received, and the received byte is a Given or Broadcast address.

REN: = Enable the serial port reception.

0: = (default)

Disable the serial port reception.

1: =

Enable the serial port reception.

TB8: = The 9th data bit, which will be transmitted in Mode 2 and Mode 3.

RB8: = In mode 2 and 3, the received 9th data bit will be put into this bit.

TI: = Transmitting done flag. After a transmitting has been finished, the hardware will set this

bit.

RI: = Receive done flag. After reception has been finished, the hardware will set this bit.

STC Technology Co., Ltd.

SFR: **SBUF** (Serial Buffer)

Read/Write

Address: **0x99H**

Default: **0000-0000**

Bit	7	6	5	4	3	2	1	0
Name								

Frame Error Detection

When used for frame error detect, the UART looks for missing stop bits in the communication. A missing bit will set the FE bit in the SCON register. The FE bit shares the SCON.7 bit with SM0 and the function of SCON.7 is determined by PCON.6 (SMOD0). If SMOD0 is set then SCON.7 functions as FE. SCON.7 functions as SM0 when SMOD0 is cleared. When used as FE, SCON.7 can only be cleared by software.

Automatic Address Recognition

There is an extra feature makes the device convenient to act as a master, which communicates to multiple slaves simultaneously. It is really *Automatic Address Recognition*.

There are two SFR **SADDR** and **SADEN** implemented in the device. The user can read or write both of them. Finally, the hardware will make use of these two SFR to “generate” a “compared byte”. The formula specifies as following.

$$\text{Bit}[i] \text{ of } \text{Compared Byte} = (\text{SADEN}[i] == 1) ? \text{SADDR}[i] : x$$

For example:

Set **SADDR** = 11000000b

Set **SADEN** = 11111101b

⇒ The achieved “Compared Byte” will be “110000x0” (x means don’t care)

For another example:

Set **SADDR** = 11100000b

Set **SADEN** = 11111010b

⇒ The achieved “Compared Byte” will be “11100x0x”

After the generic “Compared Byte” has been worked out, the STC12Cxx will make use of this byte to determine how to set the bit **RI** in SFR **SCON**.

Normally, an UART will set bit **RI** whenever it has done a byte reception; but for the UART in the STC12Cxx, if the bit **SM2** is set, it will set **RI** according to the following formula.

$$\text{RI} = (\text{SM2} == 1) \&\& (\text{SBUF} == \text{Compared Byte}) \&\& (\text{RB8} == 1)$$

In other words, not all data reception will respond to RI, while specific data does.

By setting the SADDR and the SADEN, the user can filter out those data byte that he doesn’t like to care. This feature brings great help to reduce software overhead.

The above feature adapts to the serial port when operated in Mode1, Mode2, and Mode3.

Dealing with Mode 0, the user can ignore it.

Secondary Universal Asynchronous Serial Port (S2)

S2 is the secondary UART of STC12C5Axx whose function is fully the same with the major UART excepting that no enhanced function included. An additional baud-rate generator (S2BRT) is available in S2 to simplify the baud-rate generation and release Timer1 for use in other purposes. The additional baud-rate generator can also be configured to provide a programmable clock output on P1.0/P4.1. Combined with Timer1 and BRT, STC12C5Axx will be able to provide three individual programmable clock outputs on three general-purpose I/O pins, respectively.

Mode 0

Serial data enters and exits through pin **RXD2** (P1.2/P4.2), and pin **TXD2** (P1.3/P4.3) outputs the shift clock. Eight data bits are transmitted/received with the LSB first. The baud rate is fixed at 1/12 the oscillator frequency. Regardless of baud-rate generation, the operation in Mode 0 for S2 UART is the same as the major UART in Mode 0.

Mode1

10 bits are transmitted through pin **TXD2** or received through pin **RXD2**. The frame data includes a start bit(0), 8 data bits and a stop bit(1). One receive, the stop bit goes into **S2RB8** in SFR **S2CON**. The baud rate is determined by the BRT overflow rate. Regardless of baud-rate generation, the operation in Mode 1 for S2 UART is the same as the standard UART in Mode 1.

$$\text{Baud Rate (for Mode 1)} = \frac{2}{32} \times (\text{BRT timer overflow rate})$$

Mode2

11 bits are transmitted through pin **TXD2** or received through pin **RXD2**. The frame data includes a start bit(0), 8 data bits, a programmable 9th bit and a stop bit(1). On transmit, the 9th data bit comes from **S2TB8** in **S2CON**. On receive, the 9th data bit goes into **S2RB8** in **S2CON**. The baud rate is programmable to either 1/32 or 1/64 the oscillator frequency.

The operation in Mode 2 for S2 is the same as the major UART in Mode 2.

$$\text{Baud Rate (for Mode 2)} = \frac{2}{64} \times \text{BRT}$$

Mode3

Mode 3 is the same as mode 2 except the baud rate is variable.

$$\text{Baud Rate (for Mode 3)} = \frac{2}{32} \times (\text{BRT timer overflow rate})$$

The user can redirect functional pins **RXD2** and **RXD2** from pins P1.2 and P1.3 to pins P4.2 and P4.3 by setting bit **S2P4** in SFR **AUXR1**.

There are several special function registers which should be understood by users before using the secondary UART.

SFR: S2CON

Read/Write

Address: **0x9AH**

Default: 0000-0000

Name	S2SM0	S2SM1	S2SM2	S2REN	S2TB8	S2RB8	S2TI	S2RI
------	-------	-------	-------	-------	-------	-------	------	------

{ S2SM0, S2SM1 } := Used to set operating mode of the serial port.

{ 0, 0 } := set the serial port operate under Mode 0(8-bit shift register)

{ 0, 1 } := set the serial port operate under Mode 1(8-bit UART)

{ 1, 0 } := set the serial port operate under Mode 2(9-bit UART)

{ 1, 1 } := set the serial port operate under Mode 3(9-bit UART)

S2SM2 := Enable the *automatic address recognition* feature in mode 2 and 3.

If **SM2=1**, **RI** will not be set unless the received 9th data bit is 1, indicating an address, and the received byte is a Given or Broadcast address. In mode1, if **SM2=1** then **RI** will not be set unless a valid stop Bit was received, and the received byte is a Given or Broadcast address.

S2REN := Enable the serial port reception.

0 := (default)

Disable the secondary serial port reception.

1 :=

Enable the secondary serial port reception.

S2TB8 :=

The 9th data bit, which will be transmitted in Mode 2 and Mode 3.

S2RB8 :=

In mode 2 and 3, the received 9th data bit will be put into this bit.

S2TI :=

Transmitting done flag. After a transmitting has been finished, the hardware will set this bit.

S2RI :=

Receive done flag. After reception has been finished, the hardware will set this bit.

SFR: S2BUF

Read/Write

Address: **0x9BH**

Default: 0000-0000

Name									

SFR: BRT

Read/Write

Address: **0x9CH**

Default: 0000-0000

Name									

It is used as the reload register for generating the baud-rate of the secondary UART only

SFR: AUXR

Read/Write

Address: **0x9BH**

Default: 0000-0000

Name	T0x12	T1x12	UARTM0x6	BRTR	S2SMOD	BRTX12	EXTRAM	S1BRS

T0X12 :=

Set this bit to set the clock source for timer 0 is Fosc, or clear it to set the clock source for timer 0 as Fosc/12.

T1X12 :=

Set this bit to set the clock source for timer 1 is Fosc, or clear it to set the clock source for timer 1 as Fosc/12.

UARTM0x6 :=

Set this bit to set the clock source for the major UART is Fosc/2, or clear it to set the clock source for or the major UART as Fosc/12.

BRTR :=

Setting this bit will enable the baud-rate generator of secondary UART to run.

S2SMOD:=

Setting this bit can double up the baud-rate of secondary UART.

BRTX12:=

Set this bit to set the clock source for the secondary UART is BRT, or clear it to set the clock source for or the secondary UART as BRT/12.

EXTRAM :=

0: =

On-chip auxiliary RAM is enabled and located at the address 0x0000 to 0x03FF. For address above 0x03FF, external RAM becomes the target automatically.

1: =

On-chip auxiliary RAM is always disabled..

S1BRS :=

Set this bit to set the clock source for the UART is BRT, or clear it to set the clock source for or the UART as Timer-1.

SFR: WAKE_CLKO

Read/Write

Address: **0x8FH**

Default: 0000-0X00

Name	PCA WAKEUP	RXD_PIN_ IE	T1_PIN_ IE	T0_PIN_ IE	LVD_ WAKE	BRTCLKO	T1CLKO	T0CLKO

WAKEUP: =

If this bit has been enabled, the PCA interrupt can wake-up the device from power-down mode.

RXD_PIN_IE:

If this bit has been enabled, the RXD interrupt can wake-up the device from power-down mode..

T1_PIN_IE: =

If this bit has been enabled, the Timer-1 interrupt can wake-up the device from power-down mode..

T0_PIN_IE: =

If this bit has been enabled, the Timer-0 interrupt can wake-up the device from power-down mode.

LVD_WAKE: = Setting the bit, the LVD interrupt can wake-up the device from power-down mode.

0: = (default)

1: =

BRTCLKO:=

Setting this bit can enable BRT clock output on P1.0. The frequency of the output clock will be set as *(BRT overflow rate / 2)*

T1CLKO :=

Setting this bit can enable timer 0 clock output on P3.5. The frequency of the output clock will be set as (*Timer 1 overflow rate / 2*)

TCLKO :=

Setting this bit can enable timer 0 clock output on P3.4. The frequency of the output clock will be set as (*Timer 0 overflow rate / 2*)

STC Technology Co., Ltd.

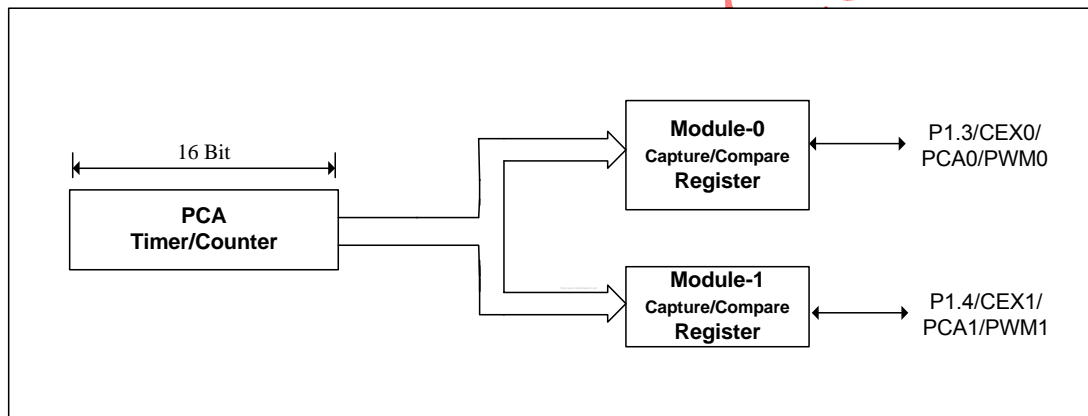
Programmable Counter Array (PCA)

The Programmable Counter Array is a special 16-bit Timer that has two 16-bit capture/compare modules associated with it. Each of the modules can be programmed to operate in one of four modes:

- rising and/or falling edge capture (calculator of duty length for high/low pulse)
- software timer
- high-speed output
- pulse width modulator

Each module has a pin associated with it in port 1. Module-0 is connected to pin P1.3, module-1 to pin P1.4.

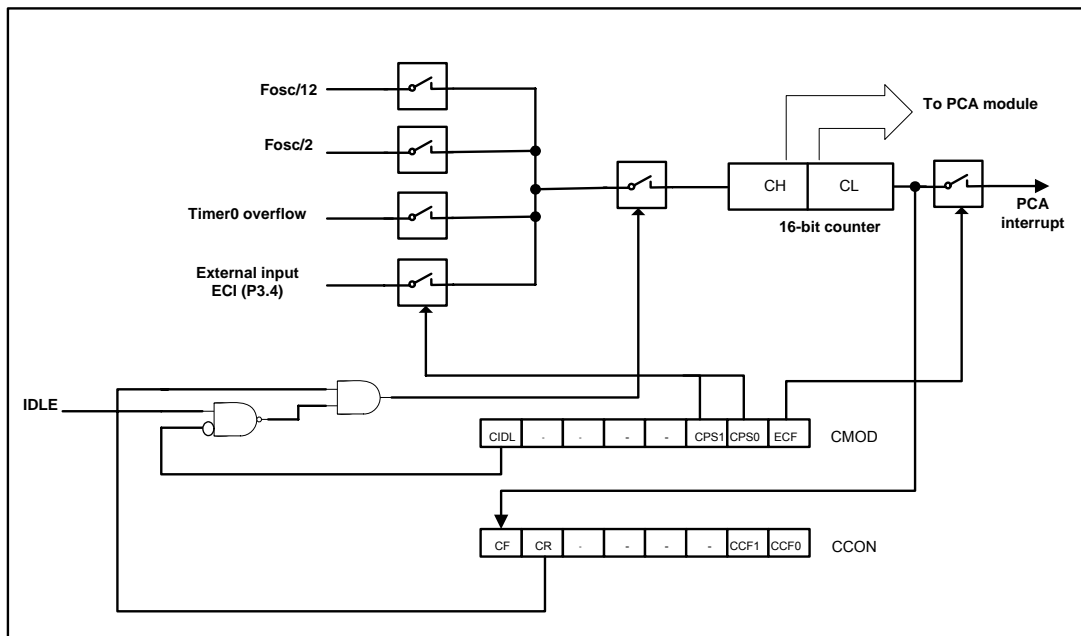
The PCA timer is a common time base for all two modules and can be programmed to run at 1/12 the oscillator frequency, 1/2 the oscillator frequency, the Timer-0 overflow or the input on pin ECI (P3.4). The timer count source is determined from **CPS1** and **CPS0** bits in the SFR **CMOD**.



Programmable Counter Array

In the **CMOD** SFR, there are two additional bits associated with the PCA. One of them is **CIDL** which determines if to stop the PCA while the MCU is put under idle, the other bit is **ECF** which controls if to pass the interrupt from PCA into the MCU.

The **CCON** SFR contains the run control bit for PCA and several flags for the PCA timer and each module. To start the PCA counting, the **CR** bit (**CCON.6**) must be set by software; oppositely clearing bit **CR** will shut off the PCA. There is a bit named **CF** in SFR **CCON**. The **CF** bit (**CCON.7**) will be set when the PCA timer overflows, and an interrupt will be generated if the **ECF** (**CMOD.0**) is set. The **CF** bit can only be cleared by software. There are two bits named **CCF0** and **CCF1** in SFR **CCON**. The **CCF0** and **CCF1** serve as flags for module-0 and module-1 respectively. They are set by hardware when either a match or a capture occurs. These flags also can only be cleared by software.



PCA Timer/Counter

SFR: CMOD (PCA Mode Control Register)

Read/Write

Address: **0xD9FH**

Default: 0XXX-X000

Name	CIDL					CPS1	CPS0	ECF

CIDL := Behavior control of the PCA.

0 := (default)

Disable counting of the PCA counter while the MCU is put under idle state.

1 :=

Enable counting of the PCA counter while the MCU is put under idle state.

{ CPS1, CPS0 } := Used to select the clocking source for PCA counter

{ 0, 0 } := set the frequency of the PCA counter clock source as oscillator's frequency over 12

{ 0, 1 } := set the frequency of the PCA counter clock source as oscillator's frequency over 2

{ 1, 0 } := set the PCA counter clock source as Timer-0 overflow

{ 1, 1 } := set the PCA counter clock source as pin ECI(pin P3.4)

ECF := Control bit of deciding if to pass interrupt from PCA timer overflow to the MCU

0 := (default)

Inhibit the interrupt from PCA timer to the MCU

1 :=

Permit the interrupt from PCA timer to the MCU

SFR: **CCON** (PCA Counter Control Rregister)

Read/Write

Address: **0XD8FH**

Default: 0XXX-X000

Name	CF	CR					CCF1	CCF0
------	----	----	--	--	--	--	------	------

CF := PCA Counter overflow Flag

This bit must be set by hardware itself. It can be cleared by software program.

CR := PCA Run control bit

0 := (default)

Disable counting of the PCA counter

1 :=

Start counting of the PCA counter

CCF1 := Module-1 interrupt Flag

This bit must be set by hardware itself when a match or capture from module-1 occurs. It can be cleared by software program.

A match means the value of the PCA counter equals the value of the Capture/Compare Register in the module-1.

A capture means a specific edge from CEX1 happens, so the Capture/Compare register latches the value of the PCA counter, and the CCF1 is set.

CCF0 := Module-0 interrupt Flag

This bit must be set by hardware itself when a match or capture from module-0 occurs. It can be cleared by software program.

Each module in the PCA has a special function register associated with it, **CCAPM0** for module0 and **CCAPM1** for module-1. The register contains the bits that control the mode in which each module will operate. The **ECCFn** bit controls if to pass the interrupt from **CCFn** flag in the **CCON** SFR to the MCU when a match or compare occurs in the associated module. **PWMn** enables the pulse width modulation mode. The **TOGn** bit when set causes the pin **CEXn** output associated with the module to toggle when there is a match between the PCA counter and the module's *Capture/Compare register*. The match bit(**MATn**) when set will cause the **CCFn** bit in the CCON register to be set when there is a match between the PCA counter and the module's *Capture/Compare register*.

The next two bits **CAPNn** and **CAPPn** determine the edge type that a capture input will be active on. The **CAPNn** bit enables the negative edge, and the **CAPPn** bit enables the positive edge. If both bits are set, both edges will be enabled and a capture will occur for either transition. The bit **ECOMn** when set enables the comparator function.

SFR: CL (PCA Base Counter Low Byte)

Read/Write

Address: **0XE9H**

Default: 0000-0000

Name							

SFR: CH (PCA Base Counter High Byte)

Read/Write

Address: **0XF9H**

Default: 00000-0000

Name							

SFR: CCAP0L (Low byte of PCA module-0 Compare/Capture register)

Read/Write

Address: **0XEAH**

Default: 0000-0000

Name							

SFR: CCAP0H (High byte of PCA module-0 Compare/Capture register)

Read/Write

Address: **0XFAH**

Default: 0000-0000

Name							

SFR: CCAP1L (Low byte of PCA module-1 Compare/Capture register)

Read/Write

Address: **0XEBH**

Default: 0000-0000

Name							

SFR: CCAP1H (High byte of PCA module-1 Compare/Capture register)

Read/Write

Address: **0XFBH**

Default: 0000-0000

Name							

STC TECHNOLOGY Co.,Ltd.

STC12C5A08/16/32/60

8-bit micro-controller

SFR: CCAPM0 (PCA Modul-0 Mode Register)

Read/Write

Address: **0XDAH**

Default: X000-0000

Name	ECOM0	CAPP0	CAPNO	MAT0	TOG0	PWM0	ECCF0

SFR: CCAPM1 (PCA Modul-1 Mode Register)

Read/Write

Address: **0XDBH**

Default: X000-0000

Name	ECOM1	CAPP1	CAPN1	MAT1	TOG1	PWM1	ECCF1

ECOM n := used to determine if Enable Comparator

0 := (default)

Disable the comparator function

1 :=

Enable the comparator function

CAPP n := configure the module- n 's register to latch the PCA counter on Positive edge of EXI n or not

0 := (default)

configure the module- n 's register not to latch the PCA counter on CAPP n posedge.

1 :=

configure the module- n 's register to latch the PCA counter on CAPP n posedge.

CAPN n := configure the module- n 's register to latch the PCA counter on Negative edge of EXI n or not

0 := (default)

configure the module- n 's register not to latch the PCA counter on pin CAPP n negedge.

1 :=

configure the module- n 's register to latch the PCA counter on pin CAPP n negedge.

MAT n := used to determine if set the bit **CCF n** in SFR **CCON** while a match from module- n occurs.

0 := (default)

Don't set the bit **CCF n** while a match occurs between the PCA counter and module- n 's register.

1 :=

Set the bit **CCF n** while a match occurs between the PCA counter and module- n 's register.

TOG n := Toggle the output pin

0 := (default)

Don't toggle the pin CEX n while a match occurs between the PCA counter and module- n 's register.

1 :=

Toggle the pin CEX n while a match occurs between the PCA counter and module- n 's register.

PWM n := Enable plus width modulation mode n .

0 := (default)

Inhibit the PWM functionality from module- n output to pin $PWMn$

1 :=

Enable the pin $PWMn$ as the output of the PWM functionality from module- n

STC Technology Co., Ltd.

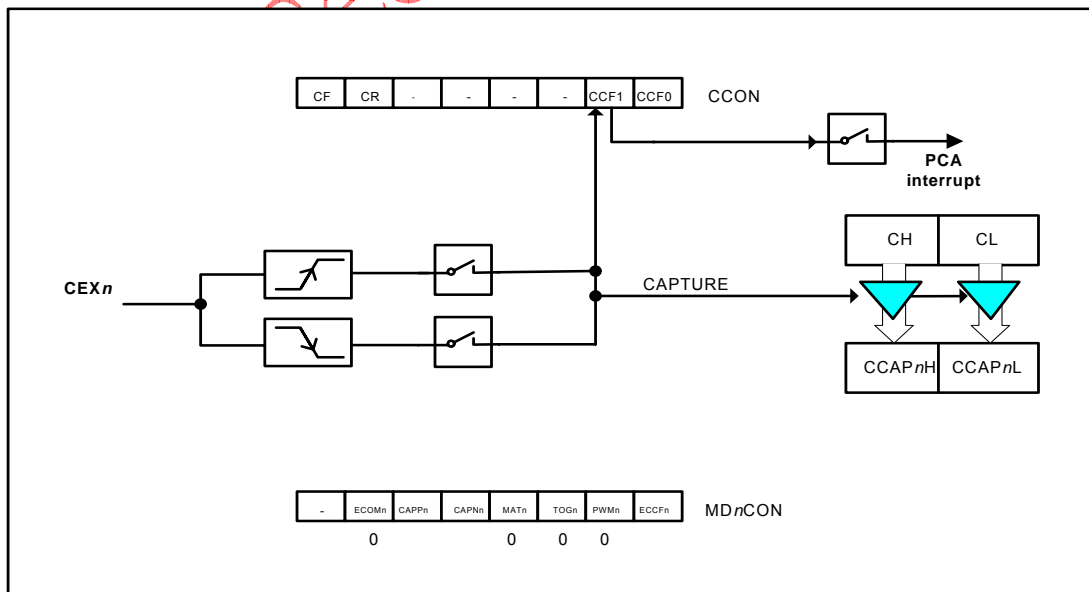
ECCFn: = Enable the CCFn flag in the **CCON** SFR to generate an interrupt.
0 := (default)
 Inhibit the interrupt(**CCFn**) from module-*n* to the MCU
1 :=
 Permit the interrupt(**CCFn**) from module-*n* to the MCU

Configure PCA Module

ECOMn	CAPPn	CAPNn	MATn	TOGn	PWMn	ECCFn	Module function
0	0	0	0	0	0	0	No operation
X	1	0	0	0	0	X	16-bit capture by a positive-edge trigger on CEXn
X	0	1	0	0	0	X	16-bit capture by a negative trigger on CEXn
X	1	1	0	0	0	X	16-bit capture by a transition on CEXn
1	0	0	1	0	0	X	16-bit Software Timer
1	0	0	1	1	0	X	16-bit High Speed Output
1	0	0	0	0	1	0	8-bit PWM

PCA Capture Mode

To use one of the PCA modules in the capture mode, one or both of bits **CAPPn** and **CAPNn** in SFR **CCAPMn** should be set. The external **CEXn** input for the module is sampled for a transition. When a valid transition occurs, the PCA hardware loads the value of the PCA counter register(**CH** and **CL**) into the module's capture registers(**CCAPnH** and **CCAPnL**). If the bit **CCFn** for the module in the SFR **CCON** and the bit **ECCFn** in the SFR **CCAPMn** are set then an interrupt will be generated.



PCA Capture Mode

16-bit Software Timer Mode

The PCA modules can be used as software timers by setting both the **ECOM n** and **MAT n** bits in the **CCAPM n** register. The PCA timer will be compared to the module's capture registers and when a match occurs an interrupt will be generated if the **CCF n** and **ECCF n** bits for the module are both set.

High Speed Output Mode

In this mode the CEX n output (port latch) associated with the PCA module will toggle each time a match occurs between the PCA counter and the module's capture registers. To activate this mode the **TOG n** , **MAT n** , and **ECOM n** bits in the SFR **CCAPM n** must be set.

Pulse Width Modulator Mode

All of the PCA modules can be used as PWM outputs. The frequency of the output depends on the PCA counter. All of the modules will have the same frequency of output because they all share the PCA counter. The duty cycle of each module is independently variable using the module's capture register **CCAPnL[7:0]** and bits **EPCnL** in SFR **PCAPWM n** . When the value of the SFR **CL** is less than the value in the module's **{EPCnL, CCAPnL [7:0]}**, the output will be low. When it is equal to or greater than, the output will be high. When **CL** overflows from FF_H to 00_H, **{EPCnL, CCAPnL [7:0]}** is reloaded with the value in **{EPCnH, CCAPnH [7:0]}**. That allows smoothly updating the PWM duty without glitches. The bits **PWM n** and **ECOM n** bits in the **CCAPM n** must be set to enable the PWM mode.

SFR: PCA_PWM0 (PCA PWM0 Auxiliary Register)

Read/Write

Address: **0XF2H**

Default: 0000-0000

Name							EPC0H	EPC0L

SFR: PCA_PWM1 (PCA PWM1 Auxiliary Register)

Read/Write

Address: **0XF3H**

Default: 0000-0000

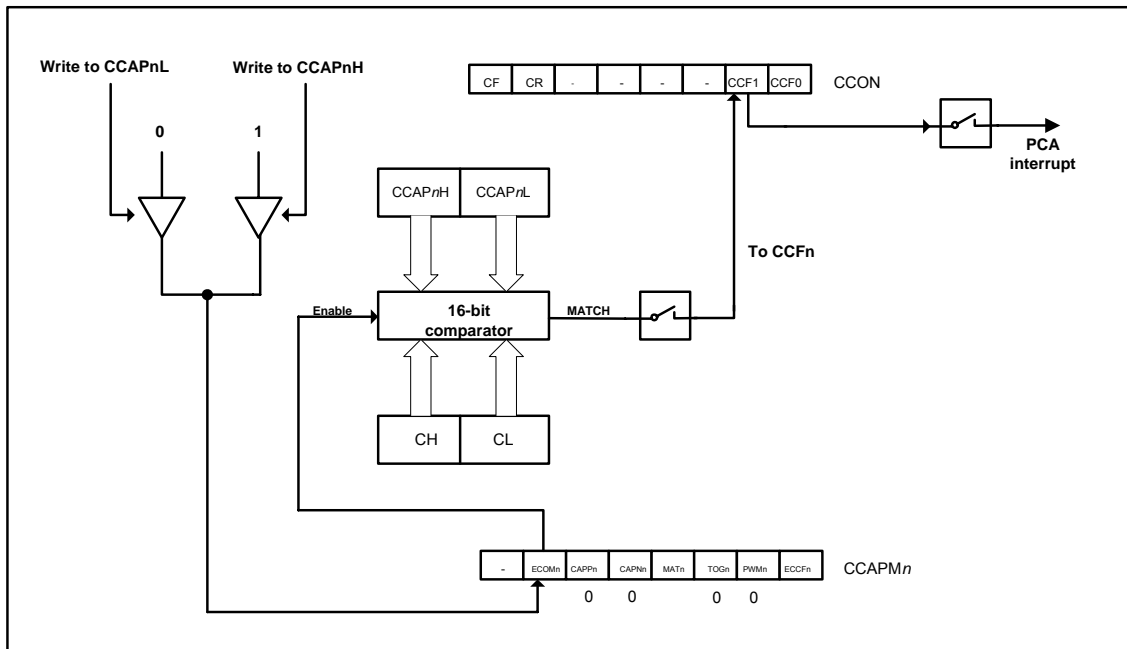
Name	CF	CR					EPC1H	EPC1L

EPCnL: = concatenated with **CCAPnL**, used to control the duty of the PWM output

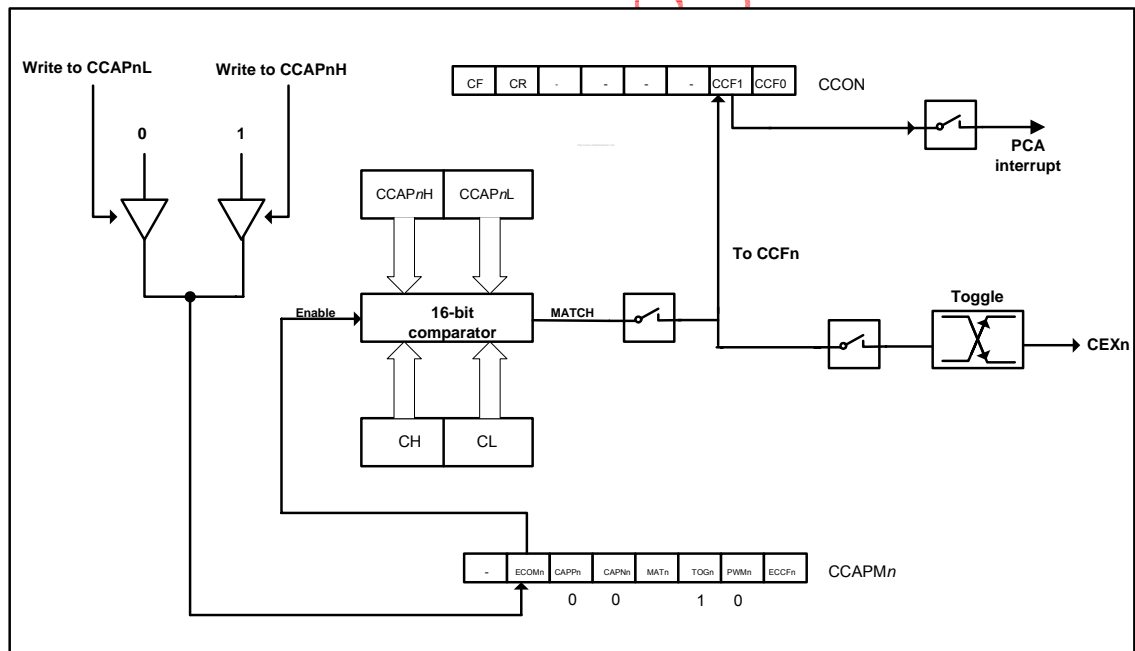
The bit **EPCnL** is going to be combined with **CCAPnL** to form a 9-bit data which will be compared with PCA counter low byte **CL**, so to determine the duty of the module- n 's PWM output.

If $\{CL[7:0]\} < \{EPCnL, CCAPnL[7:0]\}$, PWM output LOW
 else PWM output HIGH

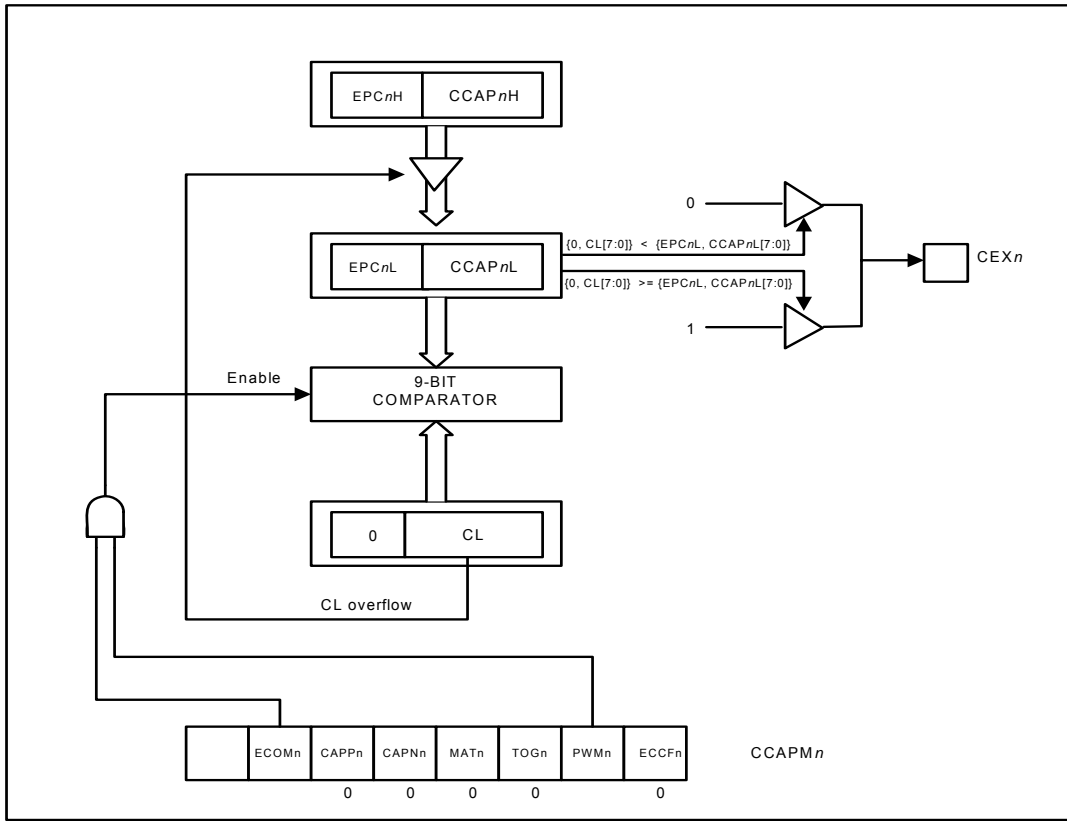
EPCnH: = Reloaded value of EPCnL while **CL [7:0]** counts from FF_H to 00_H



PCA Software Timer Mode



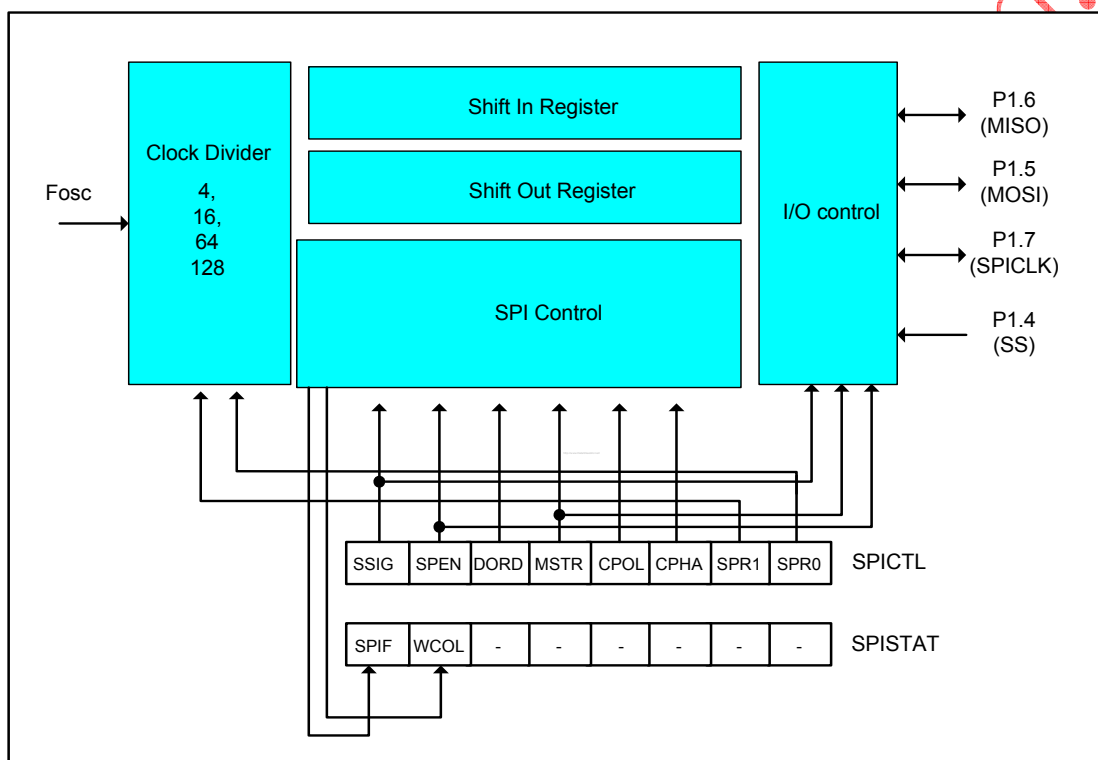
PCA High-Speed Output Mode



PCA PWM mode

Serial Peripheral Interface(SPI)

The device provides another high-speed serial communication interface, the SPI interface. The SPI is a full-duplex, high-speed, synchronous communication bus with two operation modes: *Master* mode and *Slave* mode. Up to 3Mbit/s can be supported in either *Master* or *Slave* mode under the $F_{osc}=12\text{MHz}$. Two status flags are provided to signal the transfer completion and write-collision occurrence.



SPI block diagram

There are three pins implementing the SPI functionality, one of them is SCLK(P1.7), next is MISO(P1.6), the other is MOSI(P1.5). An extra pin SS(P1.4) is designed to configure the SPI to run under *Master* or *Slave* mode. Data flows from master to slave via MOSI(Master Out Slave In) pin and flows from slave to master via MISO(Master In Slave Out) pin. The SCLK plays as an output pin when the device works under *Master* mode, while as an input pin when the device works under *Slave* mode. If the SPI system is disabled, i.e. **SPEN(SPCTL.6)**=0, these pins are configured as general-purposed I/O port(P1.4 ~ P1.7).

Two devices with SPI interface communicate with each other via one synchronous clock signal, one input data signal, and one output data signal. There are two concerns the user could take care, one of them is latching data on the negative edge or positive edge of the clock signal which named *polarity*, the

other is keeping the clock signal low or high while the device idle which named *phase*. Permuting those states from *polarity* and *phase*, there could be four modes formed, they are **SPI-MODE-0**, **SPI-MODE-1**, **SPI-MODE-2**, **SPI-MODE-3**. Many device declares that they meet SPI mechanism, but few of them are adaptive to all four modes. The STC12C5Axx is a device flexible to be configured to communicate to another device with **MODE-0**, **MODE-1**, **MODE-2** or **MODE-3** SPI, and play part of *Master* and *Slave*.

There is a SFR named SPICL designed to configure the SPI behavior of the device.

SFR: SPCTL (*SPI Control register*)

Read/Write

Address: **0X85H**

Default: 0000-0000

Name	SSIG	SPEN	DORD	MSTR	CPOL	CPHA	SPR1	SPR0
------	------	------	------	------	------	------	------	------

SSIG := used to determine if ignore the pin SS

0 := (default)

Reserve the function of pin SS

1 :=

Ignore the SS pin function

SPEN := Enable the SPI

0 := (default)

Disable the SPI function. All related pins play as general-purposed I/O ports.

1 :=

Enable the SPI function.

DORD := Data Order

0 := (default)

Transmit/Receive the MSB of the data byte first.

1 :=

Transmit/Receive the LSB of the data byte first.

MSTR := Set to Master mode

0 := (default)

Set the SPI to play as *Slave* part.

1 :=

Set the SPI to play as *Master* part.

CPOL := Clock Polarity

0 := (default)

Set the SPCLK as LOW while the communication is kept idle. That implies the leading edge of the clock is the rising edge, and the trailing edge is the falling edge.

1 :=

Set the SPCLK as HIGH while the communication is kept idle. That implies the leading edge of the clock is the falling edge, and the trailing edge is the falling rising edge.

CPHA := Clock Phase

0 := (default)

Data is driven when pin SS is low and changes on the trailing edge of SPCLK, and is sampled on the leading edge. (*This setting is only valid while SSIG=0.*)

1 :=

Data is driven on the leading edge of SPCLK, and is sampled on the trailing edge.

{SPR1, SPR0} := SPI clock Rate selector

{0,0} := (default)

Set the clock rate of the SPI as the frequency of the clock source over 4.

{0,1} :=

Set the clock rate of the SPI as the frequency of the clock source over 16.

{1,0} :=

Set the clock rate of the SPI as the frequency of the clock source over 64. {1,1} :=

Set the clock rate of the SPI as the frequency of the clock source over 128.

There are two extra SFRs make relation with SPI application.

SFR: SPDAT (SPI Data register)

Read/Write

Address: **0X86H**

Default: 0000-0000

Name							

The SFR SPDAT holds the data to be transmitted or the data received.

SFR: SPSTAT (SPI STATE register)

Read/Write

Address: **0X84H**

Default: 00XX-XXXX

Name	SPIF	WCOL					

SPIF := SPI transfer completion flag.

When a serial transfer finishes, the SPIF bit is set and an interrupt is generated if both the ESPI(AUXR.3) bit and the EA(IE.7) bit are set. If SS is an input and is driven low when SPI is in master mode with SSIG=0, SPIF will also be set to signal the "mode change". The SPIF is cleared in software by "writing 1 to this bit".

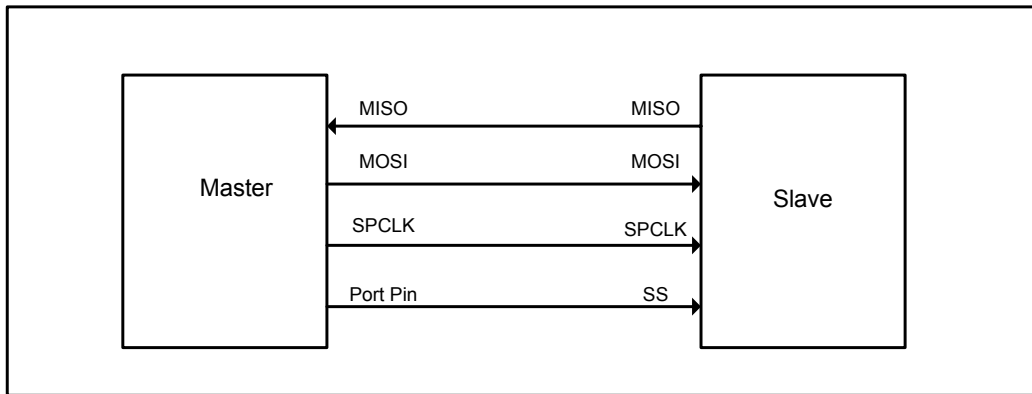
WCOL := SPI Write Collision flag

The WCOL bit is set if the SPI data register **SPIDAT** is written during a data transfer. The **WCOL** flag is cleared in software by “writing 1 to this bit”.

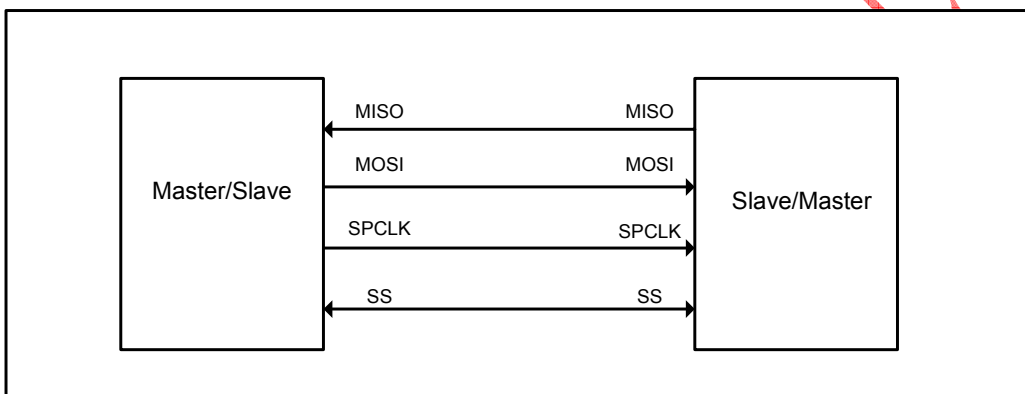
Configure the device to *Master/Slave* mode

SPEN	SSIG	SS	MSTR	Mode	MISO	MOSI	SPICLK	Remark
0	X	X	X	SPI disable	GPI/O	GPI/O	GPI/O	SPI is disabled.
1	0	0	0	Active Slave	output	input	input	Selected as slave
1	0	1	0	InActive Slave	Hi-Z	input	input	Not selected.
1	0	0	1→0	slave	output	input	input	Convert from Master to Slave
1	0	1	1	Master	input	output	output	SPCLK depends on CPOL
1	1	X	0	Slave	output	input	input	Slave
1	1	X	1	Master	input	output	output	Master

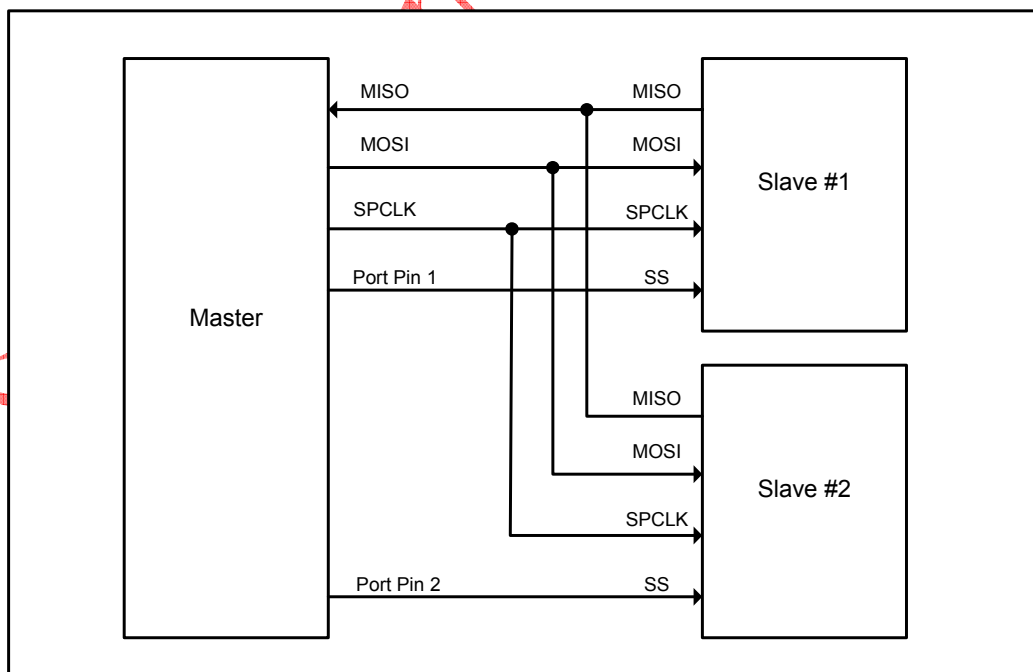
Typical Connection



SPI single master single slave configuration



SPI dual device configuration, where either can be a master or a slave



SPI single master multiple slaves configuration

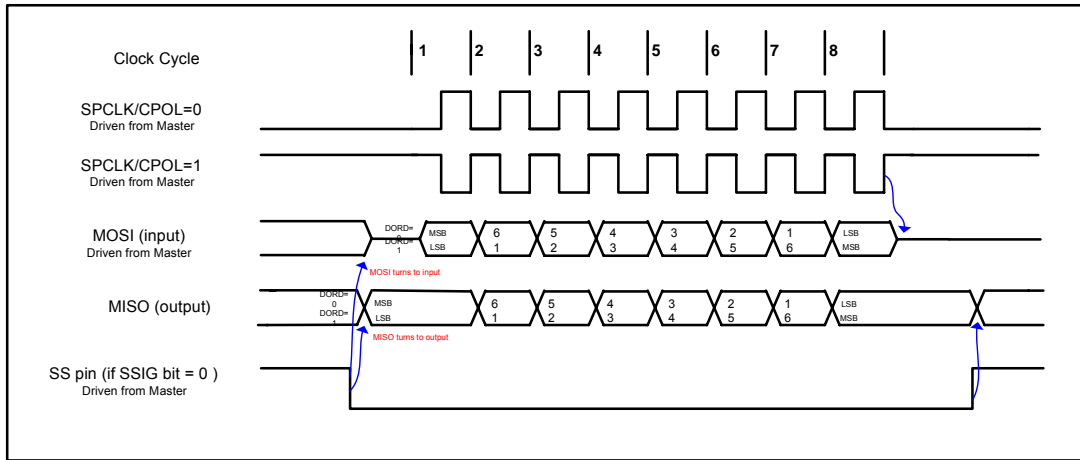
Communication

In SPI, transfers are always initiated by the master. If the SPI is enabled (**SPEN=1**) and selected as master, any instruction that use SPI data register **SPDAT** as the destination will start the SPI clock generator and a data transfer. The data will start to appear on MOSI about one half SPI bit-time to one SPI bit-time after it. Before starting the transfer, the master may select a slave by driving the SS pin of the corresponding device low. Data written to the **SPDAT** register of the master shifted out of MOSI pin of the master to the MOSI pin of the slave. And at the same time the data in **SPDAT** register of the selected slave is shifted out of MISO pin to the MISO pin of the master. During one byte transfer, data in the master and in the slave is interchanged. After shifting one byte, the transfer completion flag (**SPIF**) is set and an interrupt will be created if the SPI interrupt is enabled.

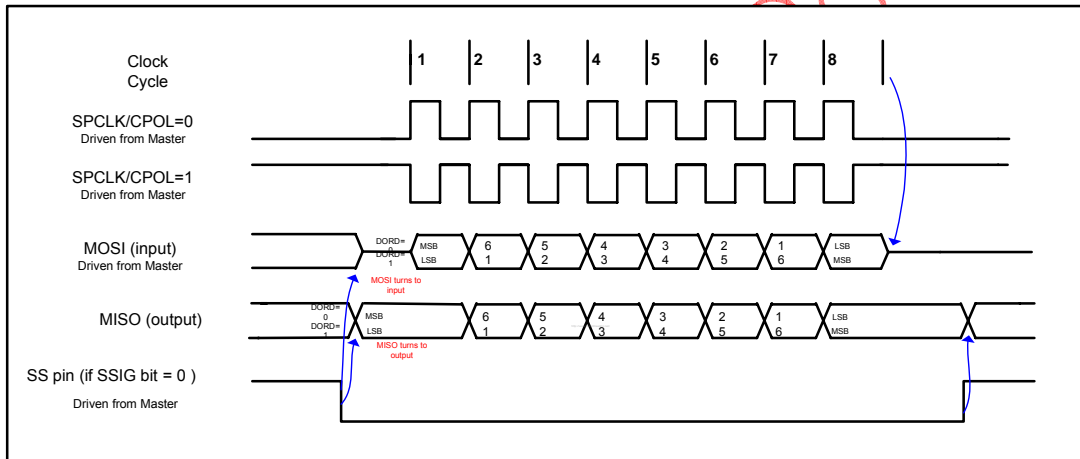
If **SPEN=1**, **SSIG=0**, SS pin=1 and **MSTR=1**, the SPI is enabled in master mode. Before the instruction that use **SPDAT** as the destination register, the master is in idle state and can be selected as slave device by any other master drives the idle master SS pin low. Once this happened, **MSTR** bit of the idle master is cleared by hardware and changes its state a selected slave. User software should always check the **MSTR** bit. If this bit is cleared by the mode change of SS pin and the user wants to continue to use the SPI as a master later, the user must set the **MSTR** bit again, otherwise it will always stay in slave mode.

The SPI is single buffered in transmit direction and double buffered in receive direction. New data for transmission can not be written to the shift register until the previous transaction is complete. The **WCOL** bit is set to signal data collision when the data register is written during transaction. In this case, the data currently being transmitted will continue to be transmitted, but the new data which causing the collision will be lost. For receiving data, received data is transferred into a internal parallel read data buffer so that the shift register is free to accept a second byte. However, the received byte must be read from the data register (**SPDAT**) before the next byte has been completely transferred. Otherwise the previous byte is lost. **WCOL** can be cleared in software by "writing 1 to the bit".

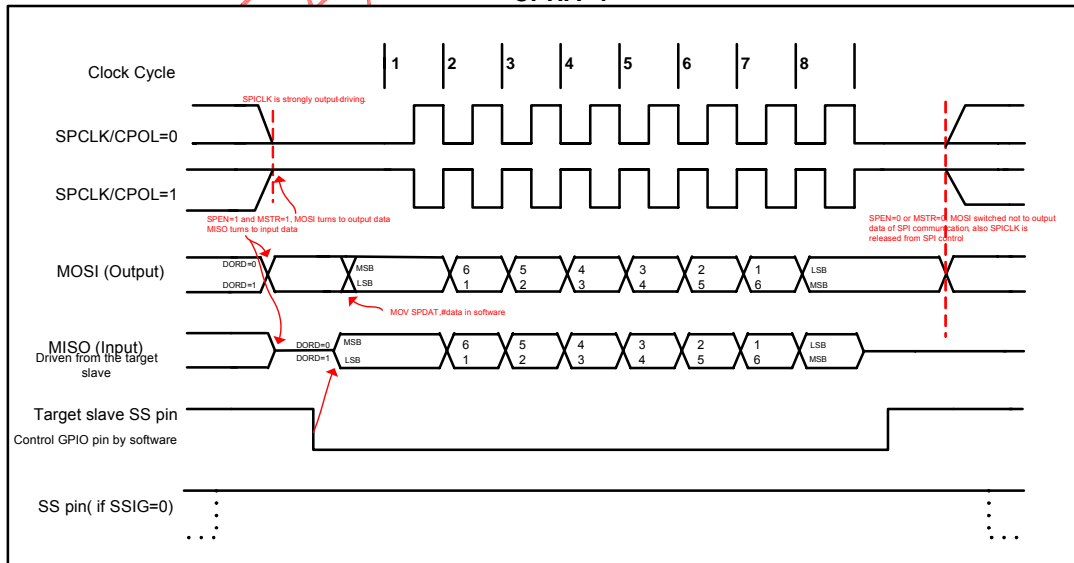
Typical Timing Diagram



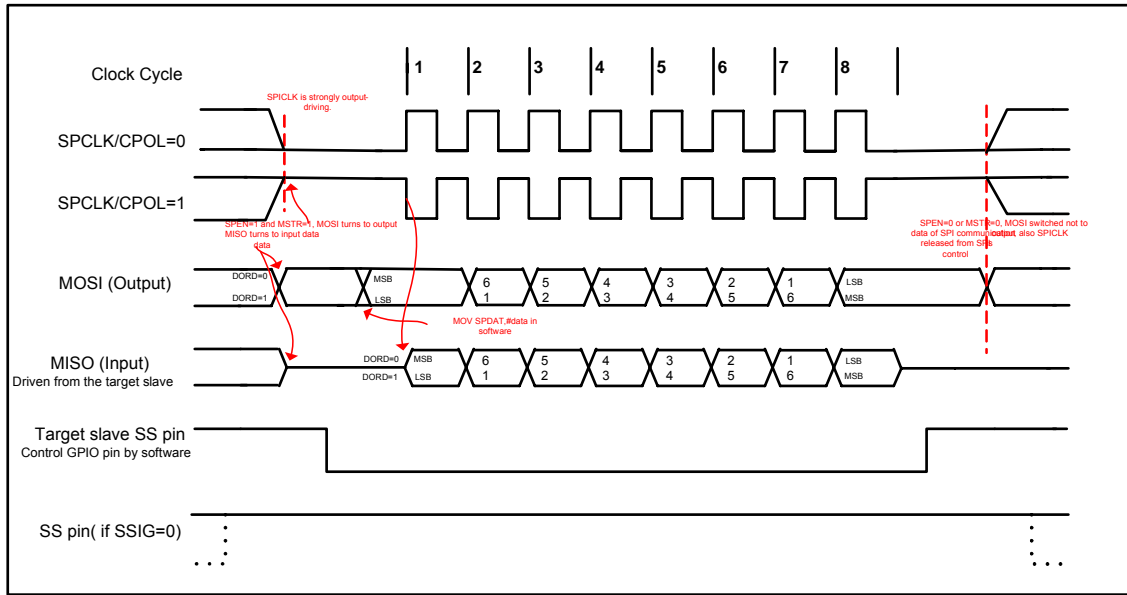
SPI slave transfer format with CPHA=0



SPI slave transfer format with CPHA=1

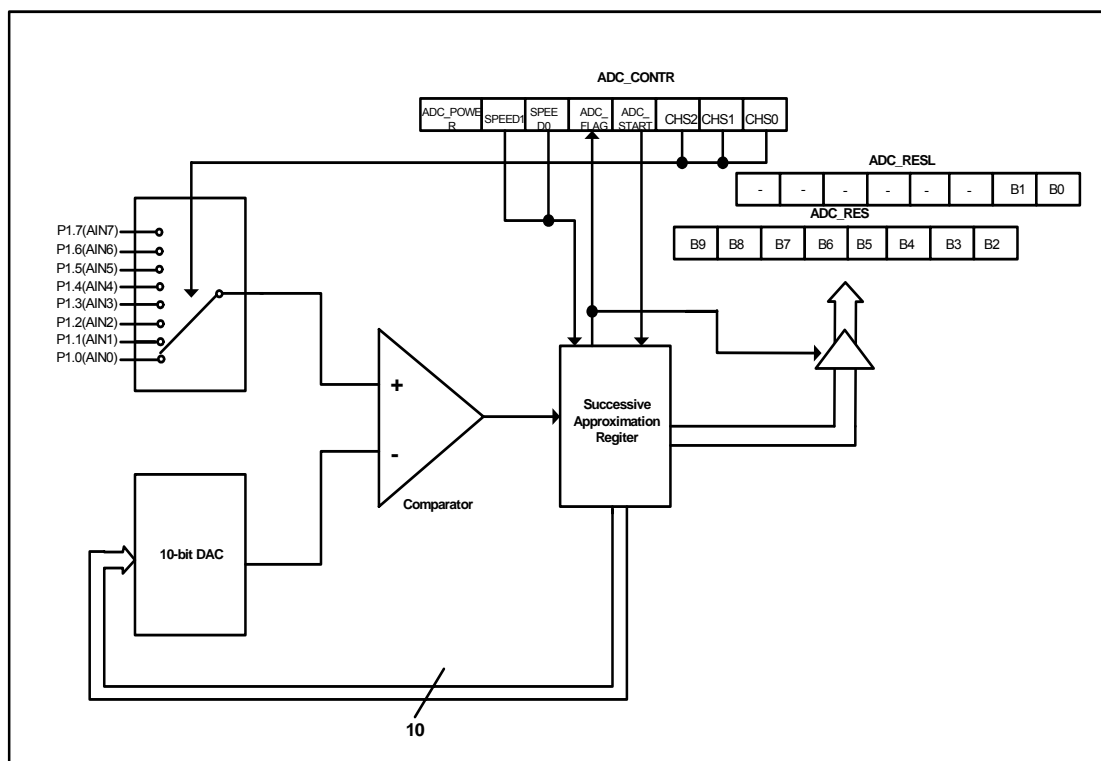


SPI master transfer format with CPHA=0



SPI master transfer format with CPHA=1

Analog to Digital Converter



The ADC on STC12C5Axx is a 10-bit resolution, successive-approximation approach, medium-speed A/D converter. V_{REFP} / V_{REFM} is the positive/negative reference voltage input for internal voltage-scaling DAC use, the typical sink current on it is 600uA ~ 1mA. For STC12C5A, these two references are internally tied to VDD and GND, separately.

Conversion is invoked since ADC_START bit is set. Prior to ADC conversion, the desired I/O ports for analog inputs should be configured as input-only or open-drain mode first. The conversion takes around a fourth cycles to sample analog input data and other three fourths cycles in successive-approximation steps. Total conversion time is controlled by two register bits – **SPEED1** and **SPEED0**. Analog input source comes from P1.x, one of the eight-channels is multiplexed by analog multiplexer into the comparator. When conversion is completed, the result will be saved onto {**ADC_RES[7:0]**, **ADC_RESL[1:0]**} register. After the result has been loaded onto {**ADC_RES[7:0]**, **ADC_RESL[1:0]**} register, **ADC_FLAG** will be set. **ADC_FLAG** associated with its enable register **IE.5(EADC)**. **ADC_FLAG** should be cleared in software. The ADC interrupt service routine vectors to 2B_H. When the chip enters idle mode or power-down mode, the power of ADC is turned off by hardware.

$$\{\text{ADC_RES}, \text{ADC_RESL}[1:0]\} = \frac{V_{in} - V_{REFM}}{V_{REFP} - V_{REFM}}$$

STC TECHNOLOGY Co.,Ltd.

STC12C5A08/16/32/60

8-bit micro-controller

SFR: ADC_CONTR (ADC Control register)

Read/Write

Address: **0XECH**

Default: 0XX0-0000

Name	ADC_POWER	SPEED1	SPEED0	ADC_FLAG	ADC_START	CHS2	CHAS1	CHS0
------	-----------	--------	--------	----------	-----------	------	-------	------

ADC_POWER :=

When clear shut down the power of ADC block. When set turn on the power of ADC block.

{SPEED1, SPEED0} := Conversion speed selector

{0,0} := (default)

A conversion takes 840 clock cycles

{0,1} :=

A conversion takes 630 clock cycles

{1,0} :=

A conversion takes 420 clock cycles

{1,1} :=

A conversion takes 210 clock cycles

ADC_START := ADC Start control

Set to start an A/D conversion. It will be automatically cleared by the device after the device has finished the conversion.

ADC_FLAG := ADC Interrupt flag

It will be set by the device after the device has finished a conversion, and should be cleared by the user's software.

{CHS2, CHS1, CHS0} := Input Channel Selector

{0,0,0} := (default)

Set P1.0 as the A/D channel input

{0,0,1} :=

Set P1.1 as the A/D channel input

{0,1,0} :=

Set P1.2 as the A/D channel input

{0,1,1} :=

Set P1.3 as the A/D channel input

{1,0,0} :=

Set P1.4 as the A/D channel input

{1,0,1} :=

Set P1.5 as the A/D channel input

{1,1,0} :=

Set P1.6 as the A/D channel input

{1,1,1} :=

Set P1.7 as the A/D channel input

SFR: **ADC_RES** (ADC Value register):

Read/Write

Address: **0XBDEH**

Default: 0000-0000

Bit	7	6	5	4	3	2	1	0
Name								

The ADC_RES is the final result from the A/D conversion.

SFR: **ADC_RESL** (Low Byte of ADC Value register):

Read/Write

Address: **0XBDEH**

Default: XXXX-XX00

Bit	7	6	5	4	3	2	1	0
Name								

The ADC_RESL (Low Bytes of ADC Value register)

STC Technology Co., Ltd.

Power Management

IDLE Mode

An instruction setting **PCON.0** causes the device go into the idle mode, the internal clock is gated off to the CPU but not to the interrupt, timer, PCA, SPI, ADC, WDT and serial port functions.

There are two ways to terminate the idle. Activation of any enabled interrupt will cause **PCON.0** to be cleared by hardware, terminating the idle mode. The interrupt will be serviced, and following RETI instruction, the next instruction to be executed will be the one following the instruction that puts the device into idle. Another way to wake-up from idle is to pull pin RST high to generate internal hardware reset.

Save Power Consumption under IDLE Mode

A clock divider(CLKDIV) associated with idle mode is used to slow down the system clock source in order to save power in advance. Everybody knows that slower the clock oscillates, less power consumed. Software could program this clock divider register prior to enter the idle mode. When the chip enters the idle mode, the clock is switched to the divider. When the chip exits the idle mode, clocking will return to the original clock behavior.

SFR: CLK_DIV (Power Control)

Read/Write

Address: **0X97H**

Default: XXXX-X000

Bit	7	6	5	4	3	2	1	0
Name						CKS2	CKS1	CKS0

{CKS2, CKS1, CKS0}: Clock selector under idle mode

{0, 0, 0} : = (default)

In idle mode, clock is not divided (default state)

{0, 0, 1} : =

In idle mode, clock is divided by 2

{0, 1, 0} : =

In idle mode, clock is divided by 4

{0, 1, 1} : =

In idle mode, clock is divided by 8

{1, 0, 0} : =

In idle mode, clock is divided by 16

{1, 0, 1} : =

In idle mode, clock is divided by 32

{1, 1, 0} : =

In idle mode, clock is divided by 64

{1, 1, 1} : =

In idle mode, clock is divided by 128

POWER-DOWN Mode

An instruction setting **PCON.1** causes the device go into the *POWER-DOWN* mode. In the *POWER-DOWN* mode, the on-chip oscillator is stopped. The contents of on-chip RAM and SFRs are maintained.

The power-down mode can be woken-up by either pin RST event or interrupt from INT0 or INT1. When it is woken-up by RST, the program will execute from the address 0x0000. Be carefully to keep RST pin active for at least 10ms in order for a stable clock. If it is woken-up from pin INT0 or INT1, the CPU will rework through jumping to related interrupt service routine. Before the CPU rework, the clock is blocked and counted until 32768 in order for de-bouncing the unstable clock. To use INT0/INT1 wake-up, interrupt-related registers have to be enabled and programmed accurately before entering power-down. **Pay attention to add at least one "NOP" instruction subsequent to the power-down instruction if I/O wake-up is used.**

SFR: PCON (Power Control)

Read/Write

Address: **0X897H**

Default: XXXX-X000

Bit	7	6	5	4	3	2	1	0
Name	SMOD	SMOD0	LVDF	POF	GF1	GF0	PD	IDL

SMOD: = Double baud rate of UART interface

0: =

Keep normal baud rate when the UART is used in mode 1,2 or 3.

1: =

Double baud rate when the UART is used in mode 1,2 or 3.

SMOD0:=

SM0/FE bit select for SFR **SCON.7** ; Setting this bit will set SFR **SCON.7** as Frame Error function.

Clearing it to set **SCON.7** as one bit of UART mode selection bits.

(This bit is serial port related, see the further description about the serial port)

LVDF: = Low-Voltage Flag

After power-up, this bit will be initially set. The user should clear it by his program. Continuously on operating, it will be set if the power supply drops under 3.7V/2.3V (Operate in the 5V/3V).

POF: = Power-On flag

This bit will be set after the device was powered on. It must be cleared by the user's software.

PD: = Power-Down switch

Set this bit to drive the device enter *POWER-DOWN* mode.

IDL: = Idle flag

Set this bit to drive the device enter *IDLE* mode.

STC Technology Co., Ltd.

In System Programming and In Application Programming

In System Programming (ISP)

To develop a good program for ISP function, the user has to understand the architecture of the embedded flash.

The embedded flash consists of 16 pages. Each page contains 512 bytes.

Dealing with flash, the user must erase it in page unit before writing (programming) data into it.

Erasing flash means setting the content of that flash as *FFh*. Two erase modes are available in this chip. One is *mass mode* and the other is *page mode*. The *mass mode* gets more performance, but it erases the entire flash. The *page mode* is something performance less, but it is flexible since it erases flash in page unit.

Unlike RAM's real-time operation, to erase flash or to write (program) flash often takes long time so to wait finish.

Furthermore, it is a quite complex timing procedure to erase/program flash. Fortunately, the STC12C5Axx carried with convenient mechanism to help the user read/change the flash content. Just filling the target address and data into several SFR, and triggering the built-in ISP automation, the user can easily erase, read, and program the embedded flash.

There are several SFR designed to help the user implement the ISP functionality.

SFR: IAP_DATA (ISP Flash Data register)

Bit-7	Bit-6	Bit-5	Bit-4	Bit-3	Bit-2	Bit-1	Bit-0
Data to be written into flash, or data got from flash							

IFD is the data port register for ISP/IAP operation. The data in IFD will be written into the desired address in operating ISP write and it is the data window of readout in operating ISP read.

SFR: IAP_ADDRH (ISP Flash Address High byte)

Bit-7	Bit-6	Bit-5	Bit-4	Bit-3	Bit-2	Bit-1	Bit-0
Must be cleared to 000				ISP/IAP address High byte			

IFADRH is the high byte address for all ISP/IAP operation.

Against in advertise effect, if one bit of IFADRH [7:5] is set, the ISP write function must fail.

SFR: IAP_ADDRL (ISP Flash Address Low byte)

Bit-7	Bit-6	Bit-5	Bit-4	Bit-3	Bit-2	Bit-1	Bit-0
ISP/IAP address Low byte							

IFADRL is the low byte address for all ISP/IAP operation.

SFR: IAP_CMD (ISP Flash-operating Mode Table)

Bit-7	Bit-6	Bit-5	Bit-4	Bit-3	Bit-2	Bit-1	Bit-0
-	-	-	-	-	-	Mode Selection	

Mode Selection	To Operate
0 0	Standby
0 1	AP-memory read
1 0	AP-memory/Data-flash program
1 1	AP-memory/Data-flash page erase

SFR: **IAP_TRIG** (ISP Sequential Command register to trigger ISP/IAP operation)

Bit-7	Bit-6	Bit-5	Bit-4	Bit-3	Bit-2	Bit-1	Bit-0
ISP-Command / Device ID							

SFR: **IAP_CONTR** (IAP Control register)

Bit-7	Bit-6	Bit-5	Bit-4	Bit-3	Bit-2	Bit-1	Bit-0
IAPEN	SWBS	SWRST	CFAIL	-	WAIT		

IAPEN: = Determine if to Enable ISP/IAP functionality

- 0: = Disable ISP program to change flash.
- 1: = Enable ISP program to change flash.

SWBS: = Software Boot entrance Selector

- 0: = Boot from main-memory.
- 1: = Boot from ISP memory.

*Note: This bit will be loaded with **HWBS(OR0.3)** after power-up moment.*

SWRST: = Software Reset trigger

Setting this bit will cause the device reset.

CFAIL: = ISP/IAP Command Fail flag

- 0: = The last ISP/IAP command has finished successfully.
- 1: = The last ISP/IAP command fails. It could be caused since the access of flash memory was inhibited.

WAIT: = Waiting time selection while the flash is busy.

IAP_CONTR[2:0]	CPU Wait time (Oscillator cycle)			
	Page Erase	Program	Read	Recommended System clock
0 0 0	672384	1760	2	30M~24M
0 0 1	504288	1320	2	24M~20M
0 1 0	420240	1100	2	20M~12M
0 1 1	252144	660	2	12M~6M
1 0 0	126072	330	2	6M~3M
1 0 1	63036	165	2	3M~2M
1 1 0	42024	110	2	2M~1M
1 1 1	21012	55	2	< 1M

Notice: Software reset actions could reset other SFR, but it never influences bits IAPEN and SWBS. The IAPEN and SWBS only will be reset by power-up action, while not software reset.

Procedures demonstrating ISP function

```
IAP_CMD ← xxxx011B /* choice page-erasing command */
IAP_CONTR ← 100xx010B /* set ISPEN=1 to enable flash change.
set WAIT=010, 10942 MC; assumed 10M X's*/

IAP_ADDRH ← (page address high byte) /* specify the address of the page to be erased */
IAP_ADDRL ← (page address low byte)
IAP_TRIG ← 5Ah /* trig IAP activity */
IAP_TRIG ← A5h
(CPU progressing will be hold here )
(CPU continues)
```

Erase a specific flash page

```
IAP_CMD ← xxxx010B /* choice byte-programming command */
IAP_CONTR ← 100xx010B /* set ISPEN=1 to enable flash change.
set WAIT=010, 60 MC; assumed 10M
X's*/

IAP_ADDRH ← (Address high byte) /* specify the address to be programmed */
IAP_ADDRL ← (Address low byte)
IAP_DATA ← (byte date to be written into flash) /* prepare data source */
IAP_TRIG ← 5Ah /* trig IAP activity */
IAP_TRIG ← A5h
(CPU progressing will be hold here)
(CPU continues)
```

Program a byte into flash

```
IAP_CMD ← xxxx001B /* choice byte-read command */
IAP_CONTR ← 100xx010B /* set IAPEN=1 to enable flash change.
set WAIT=010, 11 MC; assumed 10M X's*/

IAP_ADDRH ← (Address high byte) /* specify the address to be read */
IAP_ADDRL ← (Address low byte)
IAP_TRIG ← 5Ah /* trig ISP activity */
IAP_TRIG ← A5h
(CPU progressing will be hold here)
(CPU continues and currently IAP_DATA contain the desired data byte )
```

Read a byte from flash

In-Application Program (IAP)

The In-Application Program feature is designed for user to Read/Write nonvolatile *data flash*. It may bring great help to store parameters those should be independent of power-up and power-done action. In other words, the user can store data in *data flash* memory, and after he shutting down the MCU and rebooting the MCU, he can get the original value, which he had stored in.

The user can program the *data flash* according to the same way as ISP program, so he should get deeper understanding related to SFR **IAP_DATA**, **IAP_ADDRL**, **IAP_ADDRH**, **IAPCMD**, **IAP_TRIG**, and **IAP_CONTR**.

The *data flash* can be programmed by the AP program as well as the ISP program.

The ISP program may program the AP memory and *data flash*, while the AP program may program the *data flash* but not the ISP memory. If the AP program desires to change the ISP memory associated with specific address space, the hardware will ignore it.

Instructions Set

DATA TRASFER			
MNEMONIC	DESCRIPTION	BYT	CYC
MOV A, Rn	Move register to Acc	1	1
MOV A, direct	Move direct byte to Acc	2	2
MOV A, @Ri	Move indirect RAM to Acc	1	2
MOV A, #data	Move immediate data to Acc	2	2
MOV Rn, A	Move Acc to register	1	2
MOV Rn, direct	Move direct byte to register	2	4
MOV Rn, #data	Move immediate data to register	2	2
MOV direct, A	Move Acc to direct byte	2	3
MOV direct, Rn	Move register to direct byte	2	3
MOV direct, direct	Move direct byte to direct byte	3	4
MOV direct, @Ri	Move indirect RAM to direct byte	2	4
MOV direct, #data	Move immediate data to direct byte	3	3
MOV @Ri, A	Move Acc to indirect RAM	1	3
MOV @Ri, direct	Move direct byte to indirect RAM	2	3
MOV @Ri, #data	Move immediate data to indirect RAM	2	3
MOV DPTR,#data16	Load DPTR with a 16-bit constant	3	3
MOVC A,@A+DPTR	Move code byte relative to DPTR to Acc	1	4
MOVC A,@A+PC	Move code byte relative to PC to Acc	1	4
PUSH direct	PUSH DIRECT BYTE ONTO STACK	2	4
POP direct	POP DIRECT BYTE FROM STACK	2	3
XCH A, Rn	EXCHANGE REGISTER WITH ACC	1	3
XCH A, direct	EXCHANGE DIRECT BYTE WITH ACC	2	4
XCH A, @Ri	EXCHANGE INDIRECT RAM WITH ACC	1	4
XCHD A, @Ri	EXCHANGE LOW-ORDER DIGIT INDIRECT RAM WITH ACC	1	4

ARITHMETIC OPERATIONS			
MNEMONIC	DESCRIPTION	BYT	CYC
ADD A, Rn	ADD REGISTER TO ACC	1	2
ADD A, direct	ADD DIRECT BYTE TO ACC	2	3
ADD A, @Ri	ADD INDIRECT RAM TO ACC	1	3
ADD A, #data	ADD IMMEDIATE DATA TO ACC	2	2
ADDC A, Rn	ADD REGISTER TO ACC WITH CARRY	1	2
ADDC A, direct	ADD DIRECT BYTE TO ACC WITH CARRY	2	3
ADDC A, @Ri	ADD INDIRECT RAM TO ACC WITH CARRY	1	3
ADDC A, #data	ADD IMMEDIATE DATA TO ACC WITH CARRY	2	2
SUBB A, Rn	SUBTRACT REGISTER FROM ACC WITH BORROW	1	2
SUBB A, direct	SUBTRACT DIRECT BYTE FROM ACC WITH BORROW	2	3
SUBB A, @Ri	SUBTRACT INDIRECT RAM FROM ACC WITH BORROW	1	3
SUBB A, #data	SUBTRACT IMMEDIATE DATA FROM ACC WITH BORROW	2	2
INC A	INCREMENT ACC	1	2
INC Rn	INCREMENT REGISTER	1	3
INC direct	INCREMENT DIRECT BYTE	2	4
INC @Ri	INCREMENT INDIRECT RAM	1	4
DEC A	DECREMENT ACC	1	2
DEC Rn	DECREMENT REGISTER	1	3
DEC direct	DECREMENT DIRECT BYTE	2	4
DEC @Ri	DECREMENT INDIRECT RAM	1	4
INC DPTR	INCREMENT DPTR	1	1
MUL AB	MULTIPLY A AND B	1	4
DIV AB	DIVIDE A BY B	1	5
DA A	DECIMAL ADJUST ACC	1	4

LOGIC OPERATION			
MNEMONIC	DESCRIPTION	BYT	CYC
ANL A, Rn	AND REGISTER TO ACC	1	2
ANL A, direct	AND DIRECT BYTE TO ACC	2	3
ANL A, @Ri	AND INDIRECT RAM TO ACC	1	3
ANL A, #data	AND IMMEDIATE DATA TO ACC	2	2
ANL direct, A	AND ACC TO DIRECT BYTE	2	4
ANL direct, #data	AND IMMEDIATE DATA TO DIRECT BYTE	3	4
ORL A, Rn	OR REGISTER TO ACC	1	2
ORL A, direct	OR DIRECT BYTE TO ACC	2	3
ORL A, @Ri	OR INDIRECT RAM TO ACC	1	3
ORL A, #data	OR IMMEDIATE DATA TO ACC	2	2
ORL direct, A	OR ACC TO DIRECT BYTE	2	4
ORL direct, #data	OR IMMEDIATE DATA TO DIRECT BYTE	3	4
XRL A, Rn	EXCLUSIVE-OR REGISTER TO ACC	1	2
XRL A, direct	EXCLUSIVE-OR DIRECT BYTE TO ACC	2	3
XRL A, @Ri	EXCLUSIVE-OR INDIRECT RAM TO ACC	1	3
XRL A, #data	EXCLUSIVE-OR IMMEDIATE DATA TO ACC	2	2
XRL direct, A	EXCLUSIVE-OR ACC TO DIRECT BYTE	2	4
XRL direct, #data	EXCLUSIVE-OR IMMEDIATE DATA TO DIRECT BYTE	3	4
CLR A	CLEAR ACC	1	1
CPL A	COMPLEMENT ACC	1	2
RL A	ROTATE ACC LEFT	1	1
RLC A	ROTATE ACC LEFT THROUGH THE CARRY	1	1
RR A	ROTATE ACC RIGHT	1	1
RRC A	ROTATE ACC RIGHT THROUGH THE CARRY	1	1
SWAP A	SWAP NIBBLES WITHIN THE ACC	1	1
BOOLEAN VARIABLE MANIPULATION			
MNEMONIC	DESCRIPTION	BYT	CYC
CLR C	CLEAR CARRY	1	1
CLR bit	CLEAR DIRECT BIT	2	4
SETB C	SET CARRY	1	1
SETB bit	SET DIRECT BIT	2	4
CPL C	COMPLEMENT CARRY	1	1
CPL bit	COMPLEMENT DIRECT BIT	2	4
ANL C, bit	AND DIRECT BIT TO CARRY	2	3

<i>ANL C, /bit</i>	AND COMPLEMENT OF DIRECT BIT TO CARRY	2	3
<i>ORL C, bit</i>	OR DIRECT BIT TO CARRY	2	3
<i>ORL C, /bit</i>	OR COMPLEMENT OF DIRECT BIT TO CARRY	2	3
<i>MOV C, bit</i>	MOVE DIRECT BIT TO CARRY	2	3
<i>MOV bit, C</i>	MOVE CARRY TO DIRECT BIT	2	4
BOOLEAN VARIABLE BRANCH			
MNEMONIC	DESCRIPTION	BYT	CYC
<i>JC rel</i>	JUMP IF CARRY IS SET	2	3
<i>JNC rel</i>	JUMP IF CARRY NOT SET	2	3
<i>JB bit, rel</i>	JUMP IF DIRECT BIT IS SET	3	4
<i>JNB bit, rel</i>	JUMP IF DIRECT BIT NOT SET	3	4
<i>JBC bit, rel</i>	JUMP IF DIRECT BIT IS SET AND THEN CLEAR BIT	3	5
PROGRAM BRANCHING			
MNEMONIC	DESCRIPTION	BYT	CYC
<i>ACALL addr11</i>	ABSOLUTE SUBROUTINE CALL	2	6
<i>LCALL addr16</i>	LONG SUBROUTINE CALL	3	6
<i>RET</i>	RETURN FROM SUBROUTINE	1	4
<i>RETI</i>	RETURN FROM INTERRUPT SUBROUTINE	1	4
<i>AJMP addr11</i>	ABSOLUTE JUMP	2	3
<i>LJMP addr16</i>	LONG JUMP	3	4
<i>SJMP rel</i>	SHORT JUMP	2	3
<i>JMP @A+DPTR</i>	JUMP INDIRECT RELATIVE TO DPTR	1	3
<i>JZ rel</i>	JUMP IF ACC IS ZERO	2	3
<i>JNZ rel</i>	JUMP IF ACC NOT ZERO	2	3
<i>CJNE A, direct, rel</i>	COMPARE DIRECT BYTE TO ACC AND JUMP IF NOT EQUAL	3	5
<i>CJNE A, #data, rel</i>	COMPARE IMMEDIATE DATA TO ACC AND JUMP IF NOT EQUAL	3	4
<i>CJNE Rn, #data, rel</i>	COMPARE IMMEDIATE DATA TO REGISTER AND JUMP IF NOT EQUAL	3	4
<i>CJNE @Ri, #data, rel</i>	COMPARE IMMEDIATE DATA TO INDIRECT RAM AND JUMP IF NOT EQUAL	3	5
<i>DJNZ Rn, rel</i>	DECREMENT REGISTER AND JUMP IF NOT EQUAL	2	4
<i>DJNZ direct, rel</i>	DECREMENT DIRECT BYTE AND JUMP IF NOT EQUAL	3	5
<i>NOP</i>	NO OPERATION	1	1
***** INHIBITED INSTRUCTION *****			
MNEMONIC	DESCRIPTION	BYT	CYC
<i>MOVX A, @Ri</i>	Move external RAM(8-bit address) to Acc	1	3
<i>MOVX A, @DPTR</i>	MOVE EXTERNAL RAM(16-BIT ADDRESS) TO ACC	1	2
<i>MOVX @Ri, A</i>	MOVE ACC TO EXTERNAL RAM(8-BIT ADDRESS)	1	3
<i>MOVX @DPTR, A</i>	MOVE ACC TO EXTERNAL RAM(16-BIT ADDRESS)	1	2

Absolute Maximum Rating (STC12C5Axx)

Parameter	Rating
Operating Voltage	4.5V ~ 5.5V
Operating temperature under bias	-40°C ~ 85°C ^{*1}
Storage temperature	-40°C ~ 125°C
Voltage on any pin	-0.5 ~ 5.5V
Operating Frequency	DC ~ 25MHz

*1Tested by sampling

DC Characteristics (STC12C5Axx)

VSS = 0V, TA = 25 °C, VCC = 5.0V unless otherwise specified

Symbol	Parameter	Test Condition	Limits			Unit
			min	typ	max	
V _{IH1}	Input High voltage for P1 and P3	V _{CC} =5.0V	2.0			V
V _{IH2}	Input High voltage for RESET pin	V _{CC} =5.0V	3.5			V
V _{IL}	Input Low voltage	V _{CC} =5.0V			0.8	V
I _{OL}	Output Low current	V _{PIN} = 0.45V	12	20		mA
I _{OH1}	Output High current(push-pull)	V _{PIN} = 2.4V	12	20		mA
I _{OH2}	Output High current(Quasi-bidirectional)	V _{PIN} = 2.4V		220		uA
I _{IL1}	Logic 0 input current(Quasi-bidirectional)	V _{PIN} = 0.45V		17	50	uA
I _{IL2}	Logic 0 input current(Input-Only)	V _{PIN} = 0.45V		0	10	uA
I _{LK}	Input Leakage current(Open-Drain output)	V _{PIN} = V _{CC}		0	10	uA
I _{H2L}	Logic 1 to 0 transition current	V _{PIN} = 1.8V		230	500	uA
I _{OP}	Operating current	F _{OSC} = 12MHz		12	30	mA
I _{IDLE}	Idle mode current	F _{OSC} = 12MHz		6	15	mA
I _{PD}	Power down current	V _{CC} = 5.0V		0.1	50	uA
R _{RST}	Internal reset pull-down resistance	V _{CC} = 5.0V		100		Kohm

Absolute Maximum Rating (STC12LE5Axx)

Parameter	Rating
Operating Voltage	2.4V ~ 3.6V
Operating temperature under bias	-40°C ~ 85°C ^{*1}
Storage temperature	-40°C ~ 125°C
Voltage on any pin	-0.5 ~ 3.6V
Operating Frequency	DC ~ 25MHz

*1Tested by sampling

DC Characteristics (STC12LE5Axx)

V_{SS} = 0V, T_A = 25 °C, V_{CC} = 3.3V unless otherwise specified

Symbol	Parameter	Test Condition	Limits			Unit
			min	typ	max	
V _{IH1}	Input High voltage for P1 and P3	V _{CC} =3.3V	2.0			V
V _{IH2}	Input High voltage for RESET pin	V _{CC} =3.3V	2.8			V
V _{IL}	Input Low voltage	V _{CC} =3.3V			0.8	V
I _{OL}	Output Low current	V _{PIN} = 0.45V	8	14		mA
I _{OH1}	Output High current(push-pull)	V _{PIN} = 2.4V	4	8		mA
I _{OH2}	Output High current(Quasi-bidirectional)	V _{PIN} = 2.4V		64		uA
I _{IL1}	Logic 0 input current(Quasi-bidirectional)	V _{PIN} = 0.45V		7	50	uA
I _{IL2}	Logic 0 input current(Input-Only)	V _{PIN} = 0.45V		0	10	uA
I _{LK}	Input Leakage current(Open-Drain output)	V _{PIN} = V _{CC}		0	10	uA
I _{H2L}	Logic 1 to 0 transition current(P1,3)	V _{PIN} = 1.4V		100	600	uA
I _{OP}	Operating current	F _{OSC} = 12MHz		9	15	mA
I _{IDLE}	Idle mode current	F _{OSC} = 12MHz		3.5	6	mA
I _{PD}	Power down current	V _{CC} = 3.3V		0.1	50	uA
R _{RST}	Internal reset pull-down resistance	V _{CC} = 3.3V		100		Kohm

Package Dimension

STC Technology Co., Ltd.

Version History

Version	Date	Page	Description
A1	2008/09		Initial issue
			-
			-
			-

STC Technology Co., Ltd.