



## 13003BS

Preliminary

**NPN SILICON TRANSISTOR**

### NPN SILICON BIPOLAR TRANSISTORS FOR LOW FREQUENCY AMPLIFICATION

#### DESCRIPTION

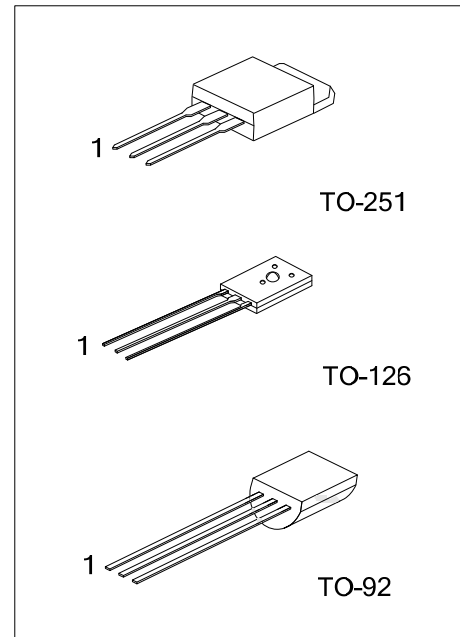
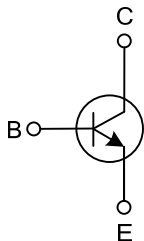
The UTC **13003BS** is a silicon NPN power switching transistor; it uses UTC's advanced technology to provide customers high collector-base breakdown voltage, low reverse leakage current and high reliability, etc.

The UTC **13003BS** is suitable for electronic ballast power switch circuit and the compact electronic energy-saving light.

#### FEATURES

- \* High collector-base breakdown voltage
- \* Low reverse leakage current
- \* High reliability

#### EQUIVALENT CIRCUIT



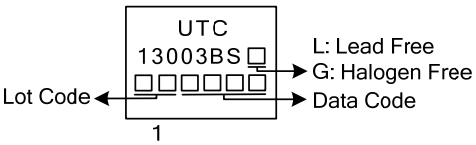
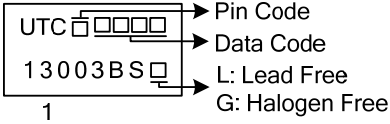
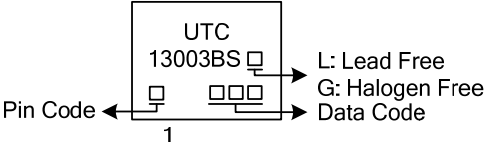
#### ORDERING INFORMATION

Ordering Number		Package	Pin Assignment			Packing
Lead Free	Halogen Free		1	2	3	
13003BSL-TM3-T	13003BSG-TM3-T	TO-251	B	C	E	Tube
13003BSL-T60-F-K	13003BSG-T60-F-K	TO-126	B	C	E	Bulk
13003BSL-T92-F-B	13003BSG-T92-F-B	TO-92	B	C	E	Tape Box
13003BSL-T92-F-K	13003BSG-T92-F-K	TO-92	B	C	E	Bulk

Note: Pin Assignment: B: Base C: Collector E: Emitter

<p>13003BSL-T60-F-B</p> <ul style="list-style-type: none"> <li>(1) Packing Type</li> <li>(2) Pin Assignment</li> <li>(3) Package Type</li> <li>(4) Lead Free</li> </ul>	<ul style="list-style-type: none"> <li>(1) T: Tube, B: Bulk, K: Bulk</li> <li>(2) refer to Pin Assignment</li> <li>(3) TM3: TO-251, T60: TO-126, T92: TO-92</li> <li>(4) L: Lead Free, G: Halogen Free</li> </ul>
---	---

### MARKING

PACKAGE	MARKING
TO-251	 <p>                     UTC                      13003BS □                      □□□□□ → Lot Code                      1                      L: Lead Free                      G: Halogen Free                      Data Code                 </p>
TO-126	 <p>                     UTC □□□□□ → Pin Code                      □□□□□ → Data Code                      13003BS □                      1                      L: Lead Free                      G: Halogen Free                 </p>
TO-92	 <p>                     UTC                      13003BS □                      □□□□□ → Pin Code                      1                      L: Lead Free                      G: Halogen Free                      Data Code                 </p>

■ ABSOLUTE MAXIMUM RATINGS ( $T_A=25^\circ\text{C}$ , unless otherwise noted)

PARAMETER		SYMBOL	RATINGS	UNIT
Collector-Base Voltage		$V_{CBO}$	800	V
Collector-Emitter Voltage		$V_{CEO}$	450	V
Emitter-Base Voltage		$V_{EBO}$	9	V
Collector Current	Continuous	$I_C$	2	A
	Peak	$I_{CM}$	4	A
Base Current	Continuous	$I_B$	1	A
	Peak	$I_{BM}$	2	A
Power Dissipation ( $T_C=25^\circ\text{C}$ )	TO-251	$P_D$	10	W
	TO-126		20	W
	TO-92		1	W
Junction Temperature		$T_J$	150	$^\circ\text{C}$
Storage Temperature Range		$T_{STG}$	-55~+150	$^\circ\text{C}$

Note: Absolute maximum ratings are those values beyond which the device could be permanently damaged.

Absolute maximum ratings are stress ratings only and functional device operation is not implied.

■ THERMAL DATA

PARAMETER		SYMBOL	RATING	UNIT
Junction to Ambient	TO-251	$\theta_{JA}$	90	$^\circ\text{C/W}$
	TO-126		100	
	TO-92		150	
Junction to Case	TO-251	$\theta_{JC}$	12.5	$^\circ\text{C/W}$
	TO-126		7.5	
	TO-92		100	

■ ELECTRICAL CHARACTERISTICS ( $T_A=25^\circ\text{C}$ , unless otherwise noted)

PARAMETER	SYMBOL	TEST CONDITIONS	MIN	TYP	MAX	UNIT
Collector-Base Breakdown Voltage	$BV_{CBO}$	$I_C=1\text{mA}$ , $I_E=0$	800			V
Collector-Emitter Breakdown Voltage	$BV_{CEO}$	$I_C=1\text{mA}$ , $I_B=0$	450			V
Emitter-Base Breakdown Voltage	$BV_{EBO}$	$I_E=1\text{mA}$ , $I_C=0$	9			V
Collector Cut-Off Current	$I_{CBO}$	$V_{CB}=800\text{V}$ , $I_E=0$			0.1	mA
Collector-Emitter Cut-Off Current	$I_{CEO}$	$V_{CE}=450\text{V}$ , $I_B=0$			0.1	mA
Emitter-Base Cut-Off Current	$I_{EBO}$	$V_{EB}=9\text{V}$ , $I_C=0$			0.1	mA
DC Current Gain (Note)	$h_{FE}$	$V_{CE}=5\text{V}$ , $I_C=0.2\text{A}$	20		35	
Low current and high current $h_{FE2}$ $h_{FE1}$ ratio	$h_{FE1}/h_{FE2}$	$h_{FE1}$ : $V_{CE}=5\text{V}$ , $I_C=5\text{mA}$	0.75			
		$h_{FE2}$ : $V_{CE}=5\text{V}$ , $I_C=0.2\text{A}$				
Collector-Emitter Saturation Voltage (Note)	$V_{CE(SAT)}$	$I_C=0.5\text{A}$ , $I_B=0.1\text{A}$			0.8	V
Base-Emitter Saturation Voltage (Note)	$V_{BE(SAT)}$	$I_C=0.5\text{A}$ , $I_B=0.1\text{A}$			1.5	V
Storage Time	$t_S$	UI9600, $I_C=0.25\text{A}$	2		5	$\mu\text{s}$
Rise Time	$t_R$				2	$\mu\text{s}$
Fall Time	$t_F$				2	$\mu\text{s}$
Transition Frequency	$f_T$	$V_{CE}=10\text{V}$ , $I_C=0.1\text{A}$ , $f=1\text{MHz}$	5			MHz

Note: Pulse test, pulse width  $t_p \leq 300\mu\text{s}$ , Duty cycle  $\leq 2\%$ .

UTC assumes no responsibility for equipment failures that result from using products at values that exceed, even momentarily, rated values (such as maximum ratings, operating condition ranges, or other parameters) listed in products specifications of any and all UTC products described or contained herein. UTC products are not designed for use in life support appliances, devices or systems where malfunction of these products can be reasonably expected to result in personal injury. Reproduction in whole or in part is prohibited without the prior written consent of the copyright owner. The information presented in this document does not form part of any quotation or contract, is believed to be accurate and reliable and may be changed without notice.