

Fast Recovery Diodes, 135A

Features

- Diffused Series
- Industrial grade
- Excellent surge capabilities
- Available in Normal and Reverse polarity
- Optional Avalanche Characteristic



DO-205AA (DO-8)

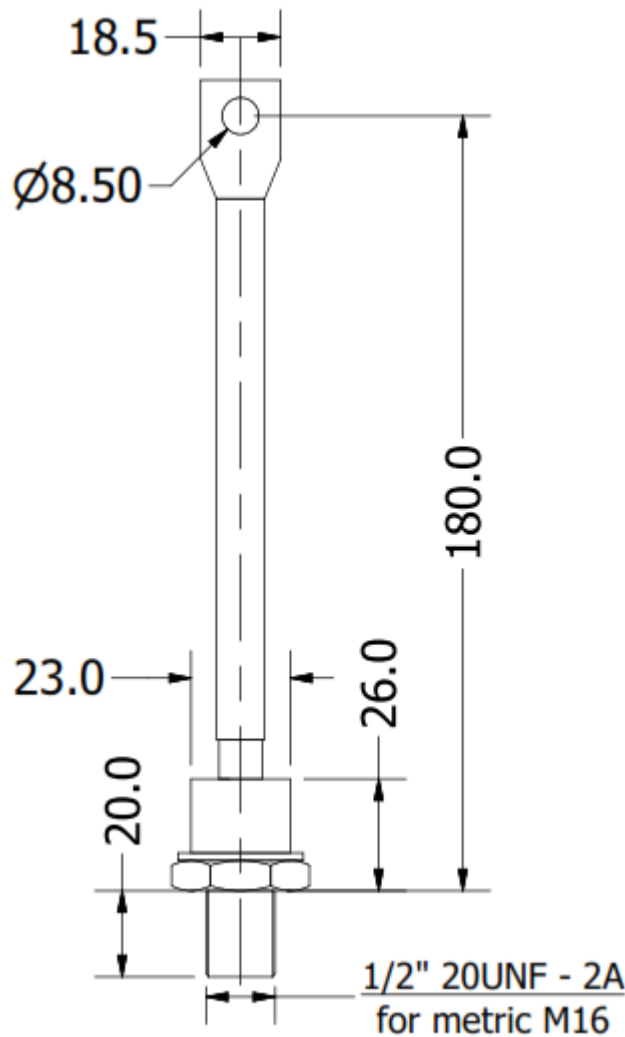
Electrical Specifications ($T_A = 25^{\circ}\text{C}$, unless otherwise noted)			
Symbol	Parameters	Values	Units
$I_{F(AV)}$	Maximum avg. forward current	135	A
V_{FM}	Maximum peak forward voltage drop @ rated $I_{F(AV)}$	1.7	V
I_{FSM}	Maximum peak one cycle (non-rep) surge current	2500	A
I^2t	Maximum I^2t rating (non-rep)	31250	A^2sec
t_{rr}	Reverse recovery time	300	ns

Electrical Ratings ($T_A = 25^{\circ}\text{C}$, unless otherwise noted)						
Type number	Voltage Code	V_{RRM} , Maximum repetitive peak reverse voltage (V)	$V_{R(RMS)}$, Maximum RMS reverse voltage (V)	V_R , Maximum DC blocking voltage (V)	Recommended RMS working voltage (V)	$I_{R(AV)}$, Maximum avg. reverse leakage current (μA)
135NSF(R)	10	100	70	100	40	25
	20	200	140	200	80	
	40	400	280	400	160	
	60	600	420	600	240	
	80	800	560	800	320	
	100	1000	700	1000	400	
	120	1200	840	1200	480	
	140	1400	980	1400	560	
	160	1600	1120	1600	640	

Thermal & Mechanical Specifications ($T_A = 25^{\circ}\text{C}$, unless otherwise noted)			
Symbol	Parameters	Values	Units
$R_{th(jc)}$	Maximum thermal resistance, junction to case	0.4	$^{\circ}\text{C}/\text{W}$
T_J	Operating junction temperature range	-55 to 150	$^{\circ}\text{C}$
T_{stg}	Storage temperature	-55 to 150	$^{\circ}\text{C}$
F	Mounting torque (non-lubricated threads)	10	Nm
W	Approximate allowable weight	150	g

Package Outline

(All dimensions in mm)



Ordering Table

135	NS	F	R	120
1	2	3	4	5

1 – Current Rating = $I_F (AV)$

2 – Rectifier Diode

3 – Fast Recovery

4 – Polarity:

> None = Normal (Cathode to Stud)

> R = Reverse (Anode to Stud)

5 – Voltage Code x 10 = V_{RRM} (See Voltage Ratings Table)