



13NM90

Power MOSFET

13A, 900V N-CHANNEL SUPER-JUNCTION MOSFET

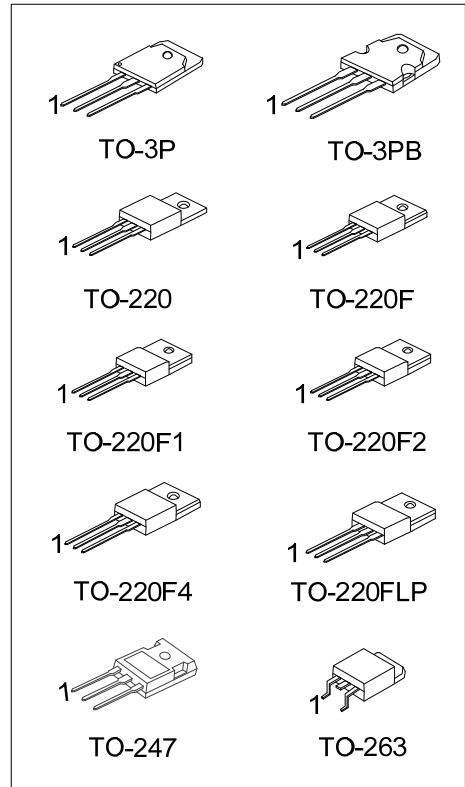
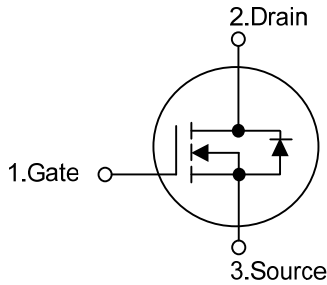
DESCRIPTION

The **UTC 13NM90** is a Super Junction MOSFET Structure and is designed to have better characteristics, such as fast switching time, low gate charge, low on-state resistance and a high rugged avalanche characteristics. This power MOSFET is usually used at AC-DC converters for power applications.

FEATURES

- * $R_{DS(ON)} \leq 0.5 \Omega$ @ $V_{GS}=10V, I_D=6.5A$
- * Fast switching capability
- * Avalanche energy tested
- * Improved dv/dt capability, high ruggedness

SYMBOL



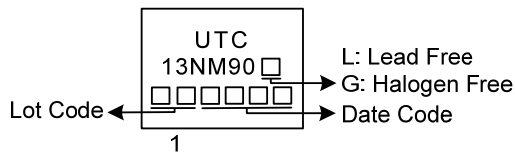
ORDERING INFORMATION

Ordering Number		Package	Pin Assignment			Packing
Lead Free	Halogen Free		1	2	3	
13NM90L-TA3-T	13NM90G-TA3-T	TO-220	G	D	S	Tube
13NM90L-TF1-T	13NM90G-TF1-T	TO-220F1	G	D	S	Tube
13NM90L-TF2-T	13NM90G-TF2-T	TO-220F2	G	D	S	Tube
13NM90L-TF3-T	13NM90G-TF3-T	TO-220F	G	D	S	Tube
13NM90L-TF34-T	13NM90G-TF34-T	TO-220F4	G	D	S	Tube
13NM90G-TFLP-T	13NM90G-TFLP-T	TO-220FLP	G	D	S	Tube
13NM90L-TQ2-T	13NM90G-TQ2-T	TO-263	G	D	S	Tube
13NM90L-TQ2-R	13NM90G-TQ2-R	TO-263	G	D	S	Tape Reel
13NM90L-T3B-T	13NM90G-T3B-T	TO-3PB	G	D	S	Tube
13NM90L-T3P-T	13NM90G-T3P-T	TO-3P	G	D	S	Tube
13NM90L-T47-T	13NM90G-T47-T	TO-247	G	D	S	Tube

Note: Pin Assignment: G: Gate D: Drain S: Source

<p>13NM90G-TA3-T</p> <p>(1) Packing Type (2) Package Type (3) Green Package</p>	<p>(1) T: Tube, R: Tape Reel (2) TA3: TO-220, TF1: TO-220F1, TF2: TO-220F2 TF3: TO-220F, TF34: TO-220F4 TFLP: TO-220FLP, TQ2: TO-263, T47: TO-247, T3B: TO-3PB, T3P: TO-3P (3) G: Halogen Free and Lead Free, L: Lead Free</p>
-----------------------------------------------------------------------------------------	----------------------------------------------------------------------------------------------------------------------------------------------------------------------------------------------------------------------------------------------------

MARKING



■ ABSOLUTE MAXIMUM RATINGS ($T_C = 25^\circ\text{C}$, unless otherwise specified)

PARAMETER		SYMBOL	RATINGS	UNIT
Drain-Source Voltage		V_{DSS}	900	V
Gate-Source Voltage		V_{GSS}	± 30	V
Continuous Drain Current	Continuous	I_D	13	A
Pulsed Drain Current	Pulsed (Note 2)	I_{DM}	52	A
Avalanche Current (Note 2)		I_{AR}	3.0	A
Single Pulsed Avalanche Energy	Single Pulsed (Note 3)	E_{AS}	180	mJ
Peak Diode Recovery dv/dt (Note 4)		dv/dt	2.68	V/ns
Power Dissipation	TO-220/TO-263	P_D	101	W
	TO-220F1/TO-220F2		32	W
	TO-220F4/TO-220FLP			
	TO-3P/TO-3PB			
	TO-247		370	W
Junction Temperature		T_J	+150	$^\circ\text{C}$
Storage Temperature		T_{STG}	-55 ~ +150	$^\circ\text{C}$

Notes: 1. Absolute maximum ratings are those values beyond which the device could be permanently damaged.

Absolute maximum ratings are stress ratings only and functional device operation is not implied.

2. Repetitive Rating: Pulse width limited by maximum junction temperature.

3. $L = 10\text{mH}$, $I_{AS} = 4.2\text{A}$, $V_{DD} = 50\text{V}$, $R_G = 25\Omega$, Starting $T_J = 25^\circ\text{C}$.

4. $I_{SD} \leq 13\text{A}$, $di/dt \leq 200\text{A}/\mu\text{s}$, $V_{DD} \leq BV_{DSS}$, Starting $T_J = 25^\circ\text{C}$.

■ THERMAL DATA

PARAMETER		SYMBOL	RATINGS	UNIT		
Junction to Ambient	TO-220/TO-220F1 TO-220F2/TO-220F4 TO-220FLP/TO-263	θ_{JA}	62.5	$^\circ\text{C}/\text{W}$		
	TO-3P/TO-3PB				30	$^\circ\text{C}/\text{W}$
	TO-247				40	$^\circ\text{C}/\text{W}$
Junction to Case	TO-220/TO-220F1 TO-263	θ_{JC}	1.24	$^\circ\text{C}/\text{W}$		
	TO-220F1/TO-220F2 TO-220F4/TO-220FLP				3.91	$^\circ\text{C}/\text{W}$
	TO-3P/TO-3PB		0.31	$^\circ\text{C}/\text{W}$		
	TO-247		0.34	$^\circ\text{C}/\text{W}$		

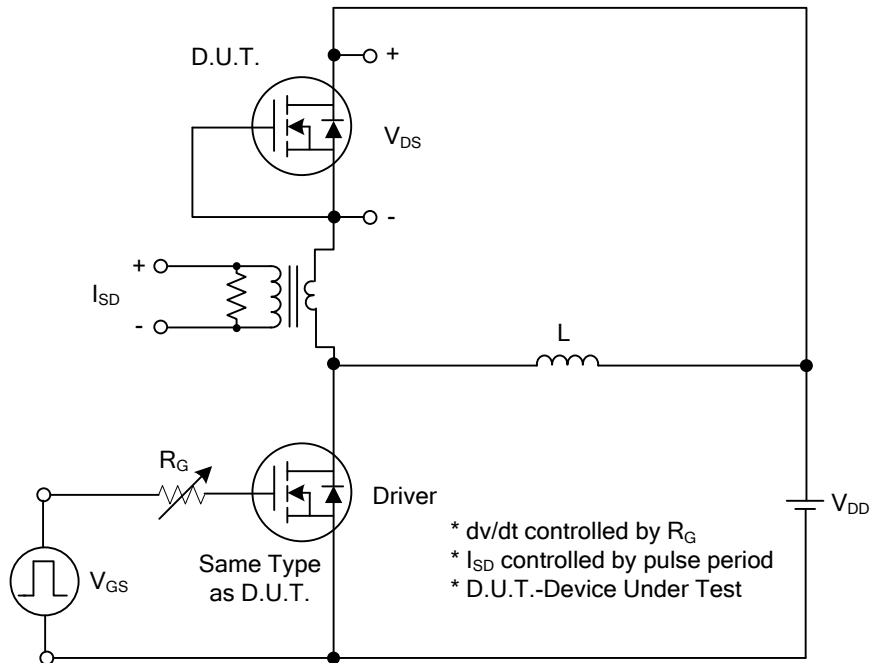
■ ELECTRICAL CHARACTERISTICS (T_J=25°C, unless otherwise specified)

PARAMETER	SYMBOL	TEST CONDITIONS	MIN	TYP	MAX	UNIT
OFF CHARACTERISTICS						
Drain-Source Breakdown Voltage	BV _{DSS}	V _{GS} =0V, I _D =250μA	900			V
Drain-Source Leakage Current	I _{DSS}	V _{DS} =900V, V _{GS} =0V			10	μA
Gate-Source Leakage Current	Forward	I _{GSS} V _{GS} =30V, V _{DS} =0V			100	nA
	Reverse		V _{GS} =-30V, V _{DS} =0V			-100
ON CHARACTERISTICS						
Gate Threshold Voltage	V _{GS(TH)}	V _{DS} =V _{GS} , I _D =250μA	2.5		4.5	V
Static Drain-Source On-State Resistance	R _{DS(ON)}	V _{GS} =10V, I _D =6.5A			0.5	Ω
DYNAMIC CHARACTERISTICS						
Input Capacitance	C _{ISS}	V _{GS} =0V, V _{DS} =25V, f=1.0MHz		1650		pF
Output Capacitance	C _{OSS}			390		pF
Reverse Transfer Capacitance	C _{RSS}			0.3		pF
SWITCHING CHARACTERISTICS						
Total Gate Charge (Note 1)	Q _G	V _{DS} =100V, V _{GS} =10V, I _D =13A, I _G =1mA (Note 1,2)		60		nC
Gate to Source Charge	Q _{GS}			11		nC
Gate to Drain Charge	Q _{GD}			22		nC
Turn-ON Delay Time (Note 1)	t _{D(ON)}	V _{DS} =100V, V _{GS} =10V, I _D =13A, R _G =25Ω (Note 1,2)		25		nS
Rise Time	t _R			24		nS
Turn-OFF Delay Time	t _{D(OFF)}			190		nS
Fall-Time	t _F			37		nS
SOURCE- DRAIN DIODE RATINGS AND CHARACTERISTICS						
Maximum Body-Diode Continuous Current	I _S				13	A
Maximum Body-Diode Pulsed Current	I _{SM}				52	A
Drain-Source Diode Forward Voltage (Note 1)	V _{SD}	I _S =13A, V _{GS} =0V			1.4	V
Body Diode Reverse Recovery Time (Note 1)	t _{rr}	I _S =13A, V _{GS} =0V, dI _F /dt=100A/μs		640		nS
Body Diode Reverse Recovery Charge	Q _{rr}				12.7	

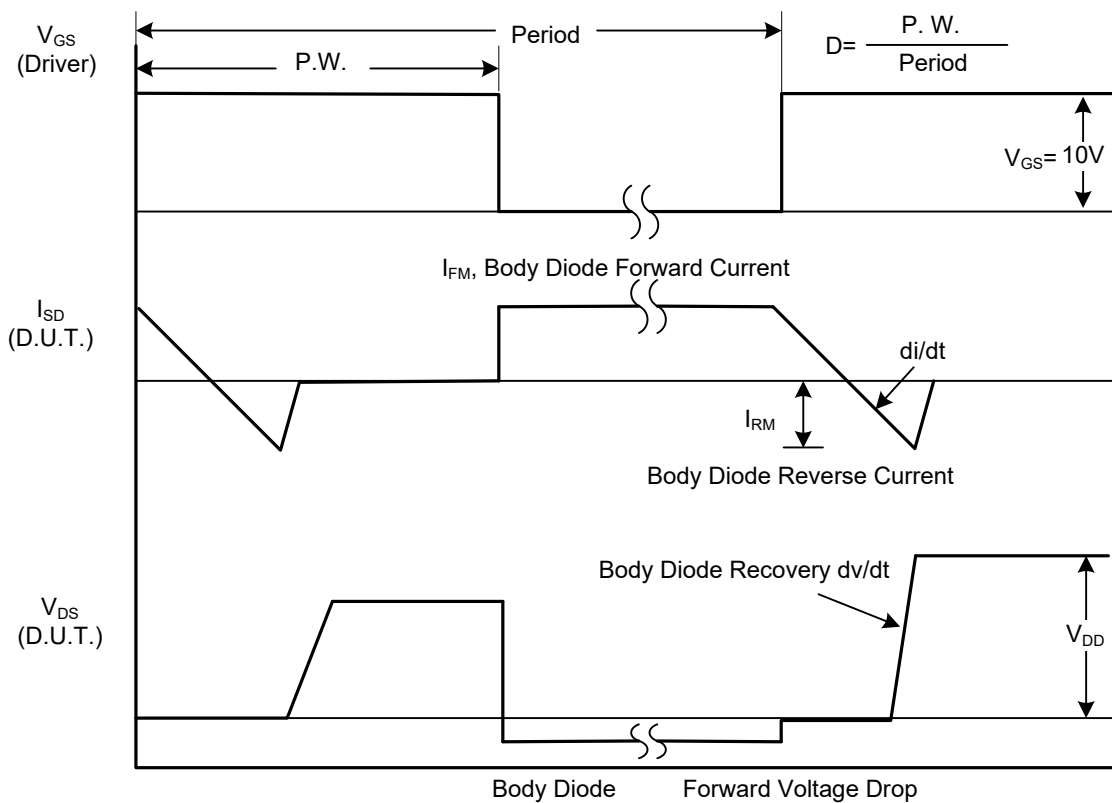
Notes: 1. Pulse Test : Pulse width ≤ 300μs, Duty cycle ≤ 2%.

2. Essentially independent of operating ambient temperature.

■ TEST CIRCUITS AND WAVEFORMS

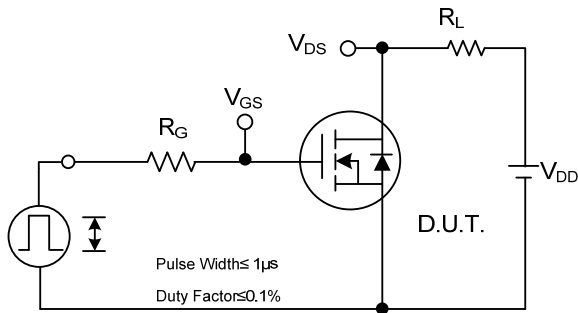


Peak Diode Recovery dv/dt Test Circuit

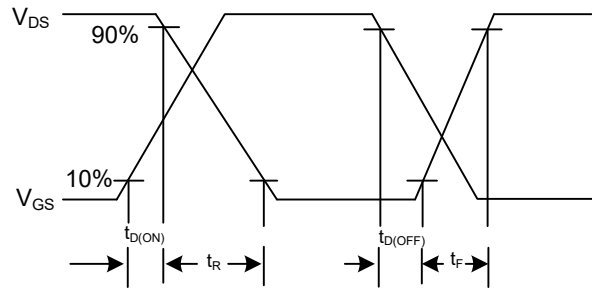


Peak Diode Recovery dv/dt Waveforms

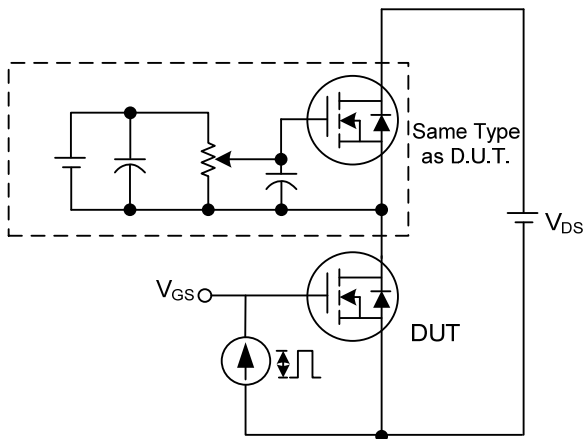
■ TEST CIRCUITS AND WAVEFORMS (Cont.)



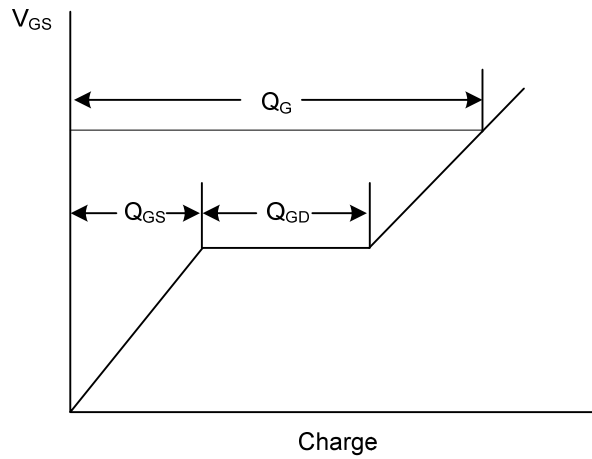
Switching Test Circuit



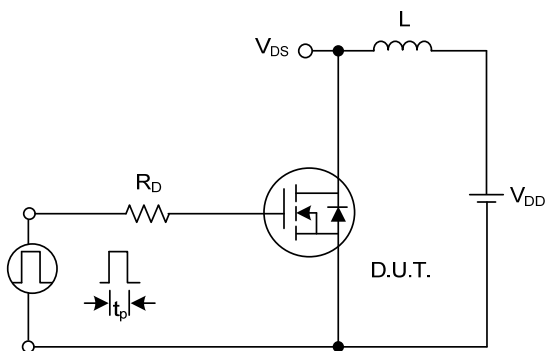
Switching Waveforms



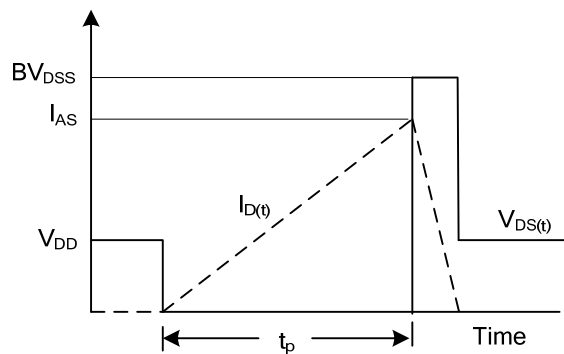
Gate Charge Test Circuit



Gate Charge Waveform

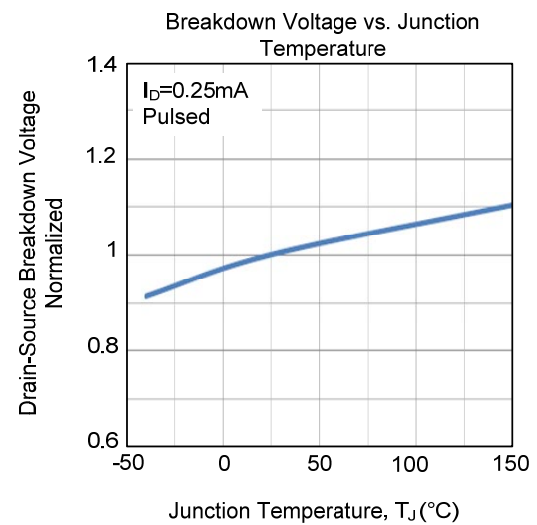
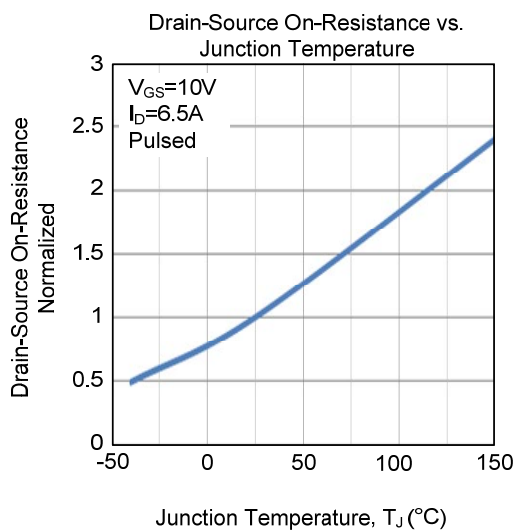
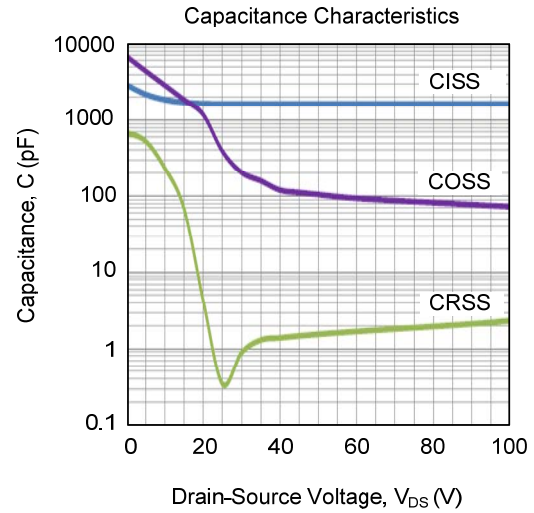
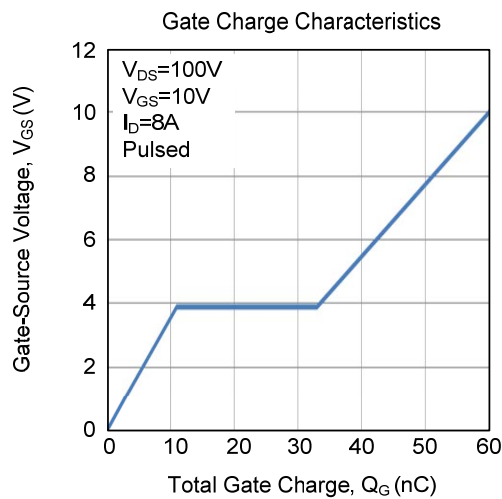
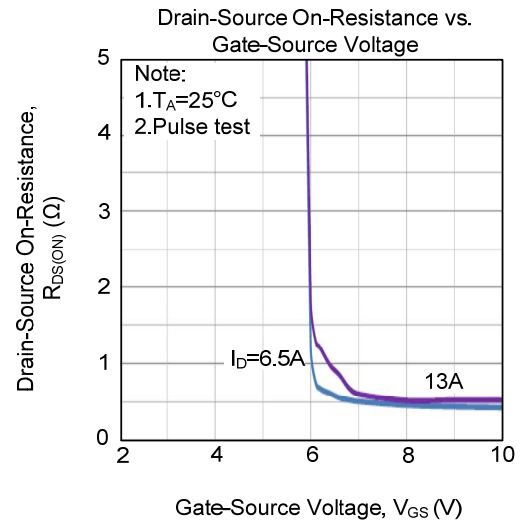
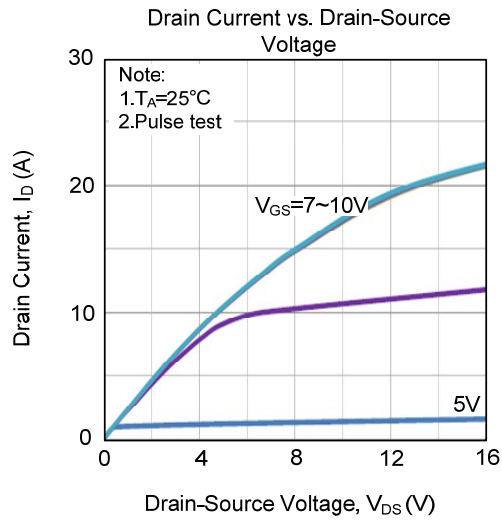


Unclamped Inductive Switching Test Circuit

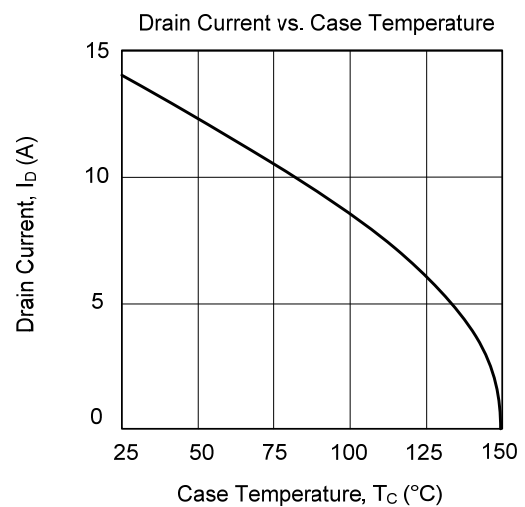
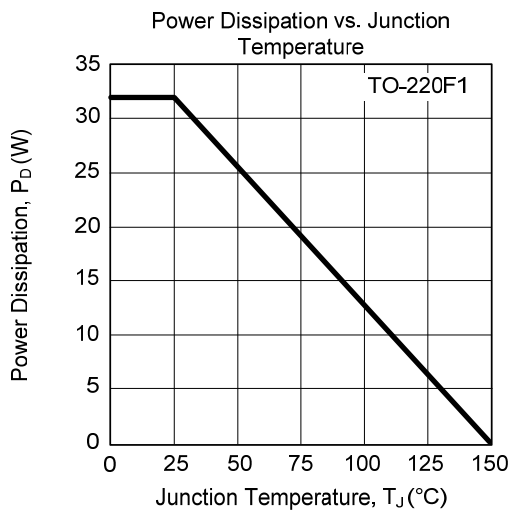
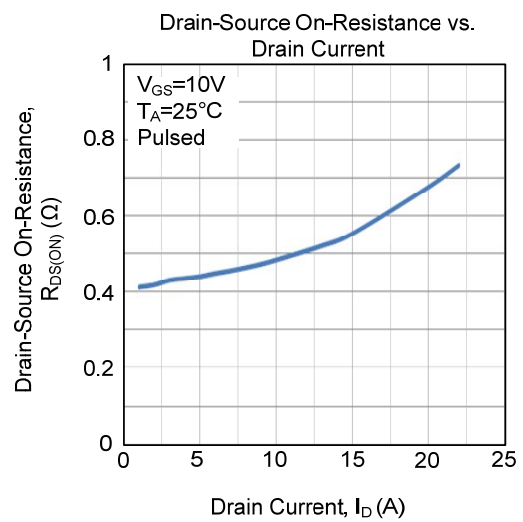
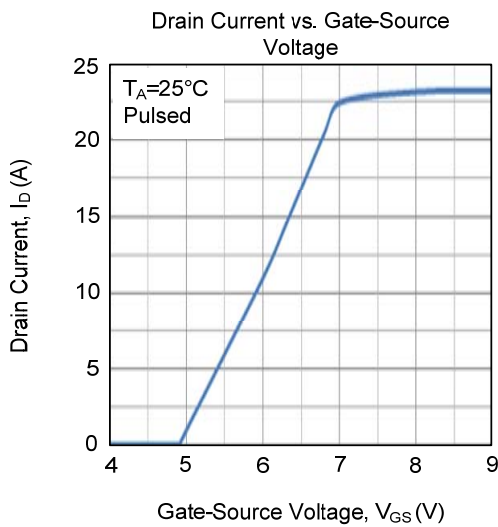
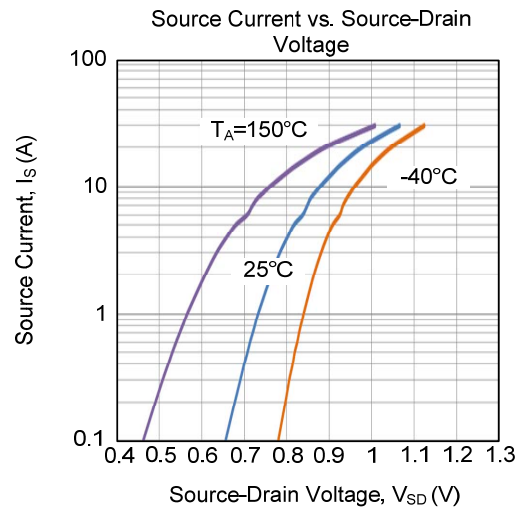
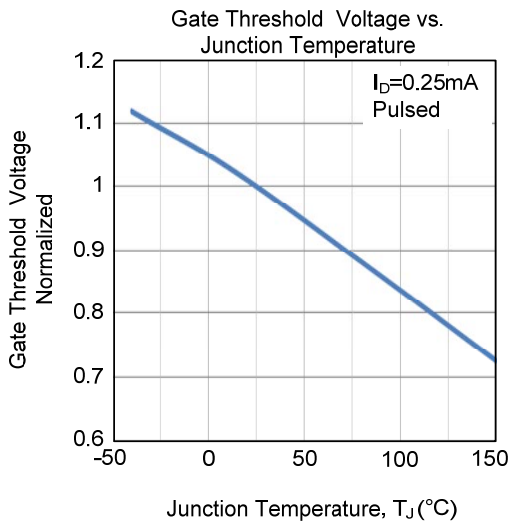


Unclamped Inductive Switching Waveforms

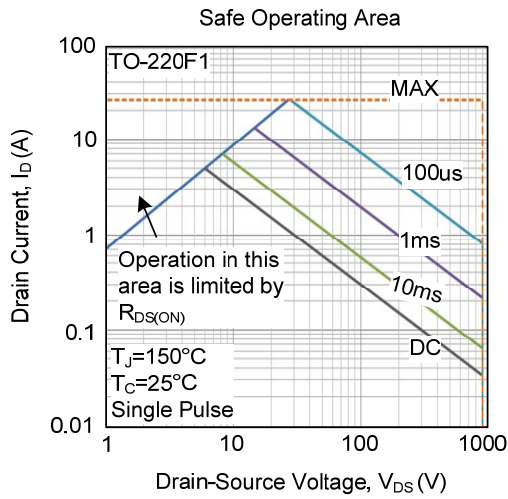
TYPICAL CHARACTERISTICS



■ TYPICAL CHARACTERISTICS (Cont.)



■ TYPICAL CHARACTERISTICS (Cont.)



UTC assumes no responsibility for equipment failures that result from using products at values that exceed, even momentarily, rated values (such as maximum ratings, operating condition ranges, or other parameters) listed in products specifications of any and all UTC products described or contained herein. UTC products are not designed for use in life support appliances, devices or systems where malfunction of these products can be reasonably expected to result in personal injury. Reproduction in whole or in part is prohibited without the prior written consent of the copyright owner. UTC reserves the right to make changes to information published in this document, including without limitation specifications and product descriptions, at any time and without notice. This document supersedes and replaces all information supplied prior to the publication hereof.