



## Advance Information

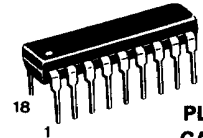
# Pulse/Tone Repertory Dialer

## Low Power Silicon-Gate CMOS

The MC145412/13 and MC145512 are silicon gate, monolithic CMOS integrated circuits which convert keyboard inputs into either pulse or DTMF outputs. They are packaged in a standard 18 pin (0.3" wide) plastic DIP.

- 3x4 or 4x4 Keyboard Compatibility Which Allows the Use of 2-of-7, 2-of-8, or Form A Type Keyboards
- MC145413 Adds Keyboard Selectable Pause Switch Function
- Single Pin Switchable Between DTMF, 10 pps and 20 pps
- 500 Hz Tone Signal Output in the Pulse Dialing Mode
- Memory Storage for Ten 18 Digit Numbers, Including Last Number Redial
- Uses 3.579545 MHz Colorburst Crystal
- Telephone Line Powered
- Silicon Gate CMOS Technology for 1.7-5.5 V Low Power Operation
- Stand Alone DTMF Dialer/Stand Alone Pulse Dialer
- Mute Output Used to Isolate Receiver from Dialing Output
- Memory Programming Options by Keyboard Configuration

**MC145412**  
**MC145413**  
**MC145512**



PLASTIC CASE 707

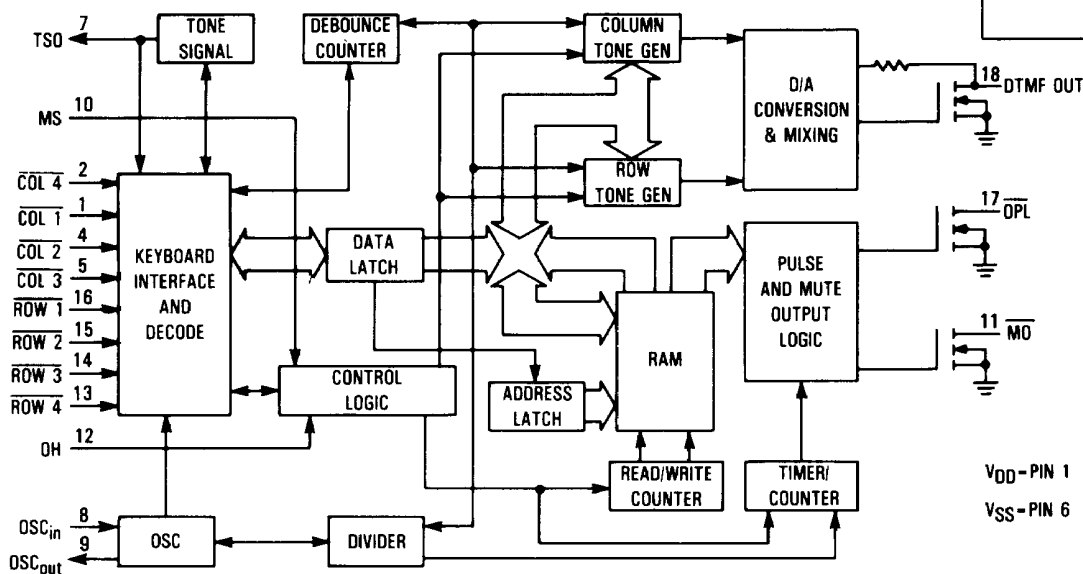
### Ordering Information

MC145 X X X X  
 P Plastic  
 4 40/60 M/B Ratio  
 5 32/68 M/B Ratio

### PIN ASSIGNMENT

V <sub>DD</sub>	1	18	DTMF OUT
COL 4	2	17	OPL
COL 1	3	16	ROW 1
COL 2	4	15	ROW 2
COL 3	5	14	ROW 3
V <sub>SS</sub>	6	13	ROW 4
TSO	7	12	OH
OSC <sub>in</sub>	8	11	M <sub>O</sub>
OSC <sub>out</sub>	9	10	MS

### BLOCK DIAGRAM



V<sub>DD</sub>-PIN 1  
 V<sub>SS</sub>-PIN 6