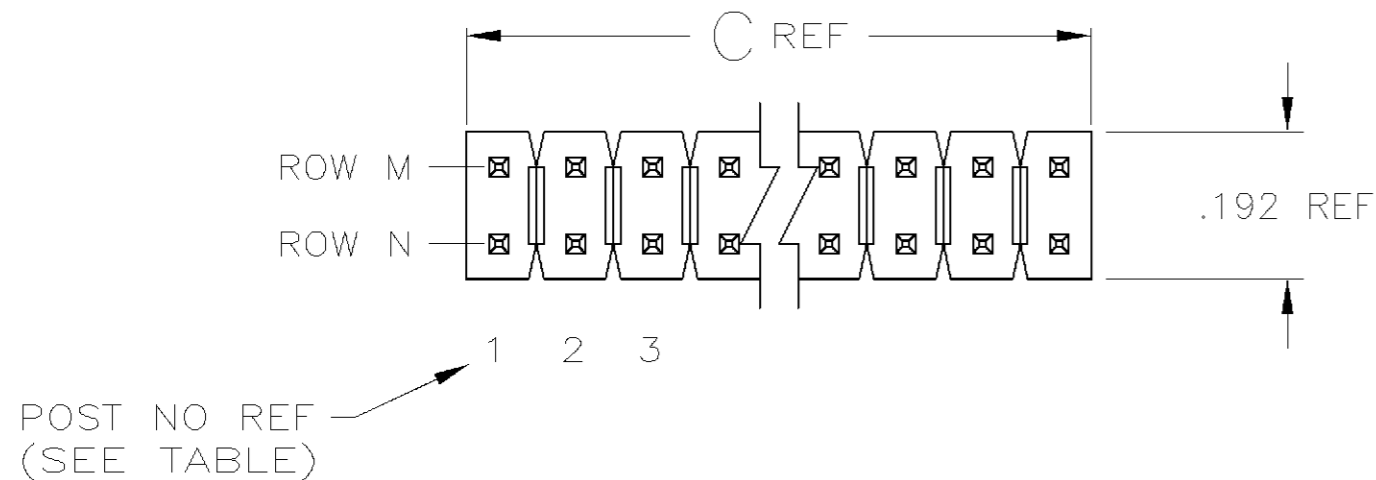
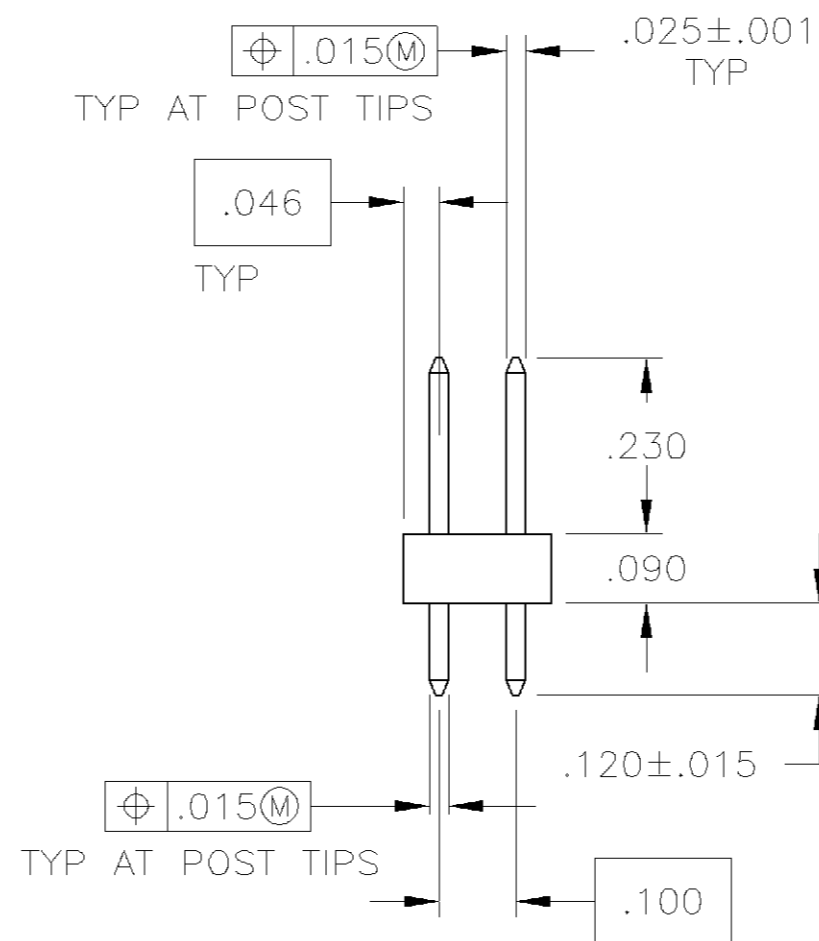
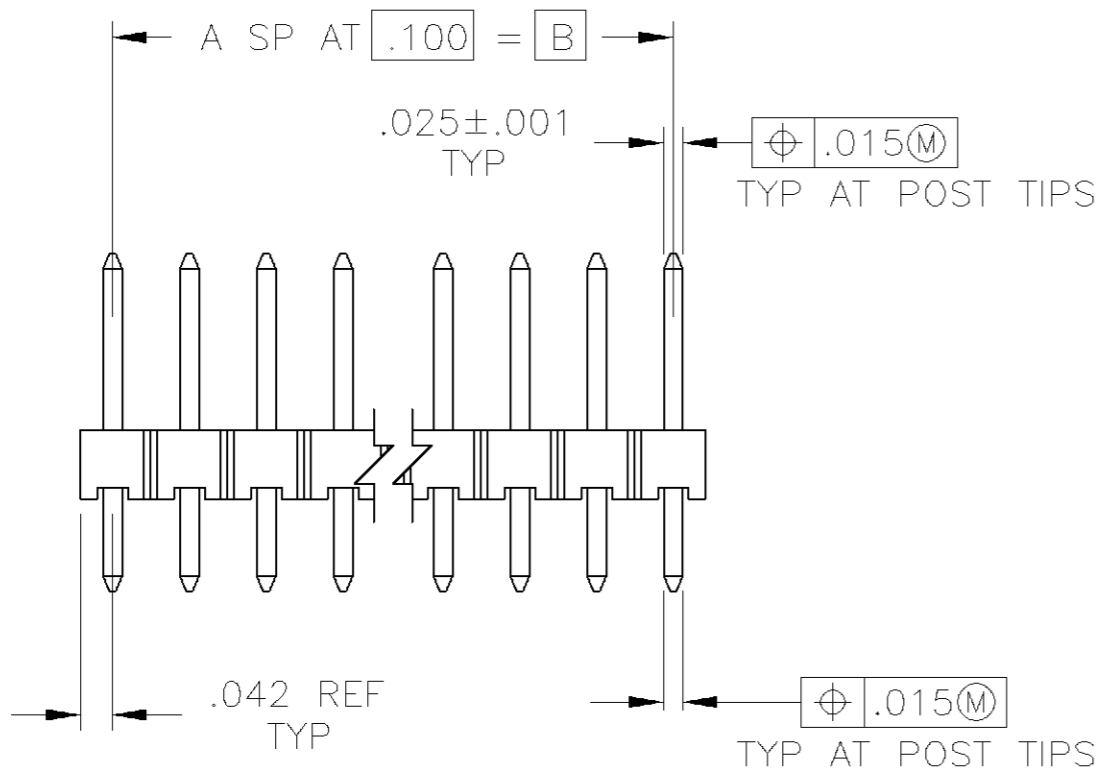


THIS DRAWING IS UNPUBLISHED. RELEASED FOR PUBLICATION
 © COPYRIGHT BY TYCO ELECTRONICS CORPORATION. ALL RIGHTS RESERVED.

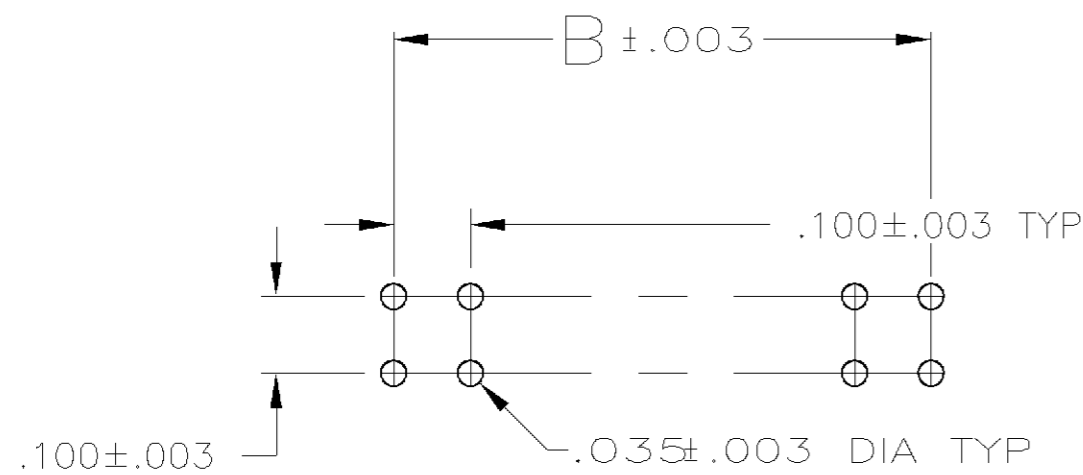
LOC	DIST	REVISIONS					
AD	00	P	LTR	DESCRIPTION	DATE	DWN	APVD
		N		REV PER 0G3C-0194-02	12JUN02	RB	JG



POST NO REF
(SEE TABLE)



- TRUE POSITION TOLERANCE OF THE POST TIPS APPLIES WHEN THE HEADERS ARE HELD FLAT AGAINST THE PRINTED CIRCUIT BOARD
- ASSEMBLY MAY BE BROKEN TO THE DESIRED NUMBER OF POSITIONS
- PRELIMINARY PART - NOT RELEASED FOR PRODUCTION.
- HOUSING: FLAME RETARDANT THERMOPLASTIC, COLOR-BALCK. POSTS: PHOSPHOR BRONZE.
- .000100-.000200 BRIGHT TIN-LEAD OVER .000050 NICKEL.



RECOMMENDED HOLE LAYOUT

3	NONE	3	.684	.600	6	13	14	1-146000-0
3	1	NONE	.184	.100	1	3	4	146000-9
3	NONE	6	1.184	1.100	11	23	24	146000-8
3	NONE	2	.484	.400	4	9	10	146000-7
3	NONE	3	.284	.200	2	5	6	146000-6
OBSOLETE	3	NONE	1.684	1.600	16	33	34	146000-5
OBSOLETE	NONE	13	1.284	1.200	12	25	26	146000-4
OBSOLETE	NONE	10	.984	.900	9	19	20	146000-3
OBSOLETE	NONE	6	.584	.500	5	11	12	146000-2
	NONE	5	.484	.400	4	9	10	146000-1
	ROW N	ROW M						
	POST NUMBER OMITTED		C	B	A	NO OF ACTIVE POS	NO OF POS	ASSEMBLY PART NUMBER

THIS DRAWING IS A CONTROLLED DOCUMENT. DWN J.MARTINELLI 27JUL00
 CHK JOHN KNITTE ==/==/==
 APVD - NAME
 PRODUCT SPEC -
 APPLICATION SPEC -
 MATERIAL - FINISH -
 WEIGHT -
 CUSTOMER DRAWING

AMP Tyco Electronics Corporation
 Harrisburg, PA 17105

ASSEMBLY, HEADER, BREAKAWAY, MOD II,
 DOUBLE ROW, .100 X .100 C/L, VERTICAL,
 WITH .025 SQUARE POSTS

SIZE A2 CAGE CODE 00779 DRAWING NO C-146000 RESTRICTED TO -
 SCALE 4:1 SHEET 1 OF 1 REV N