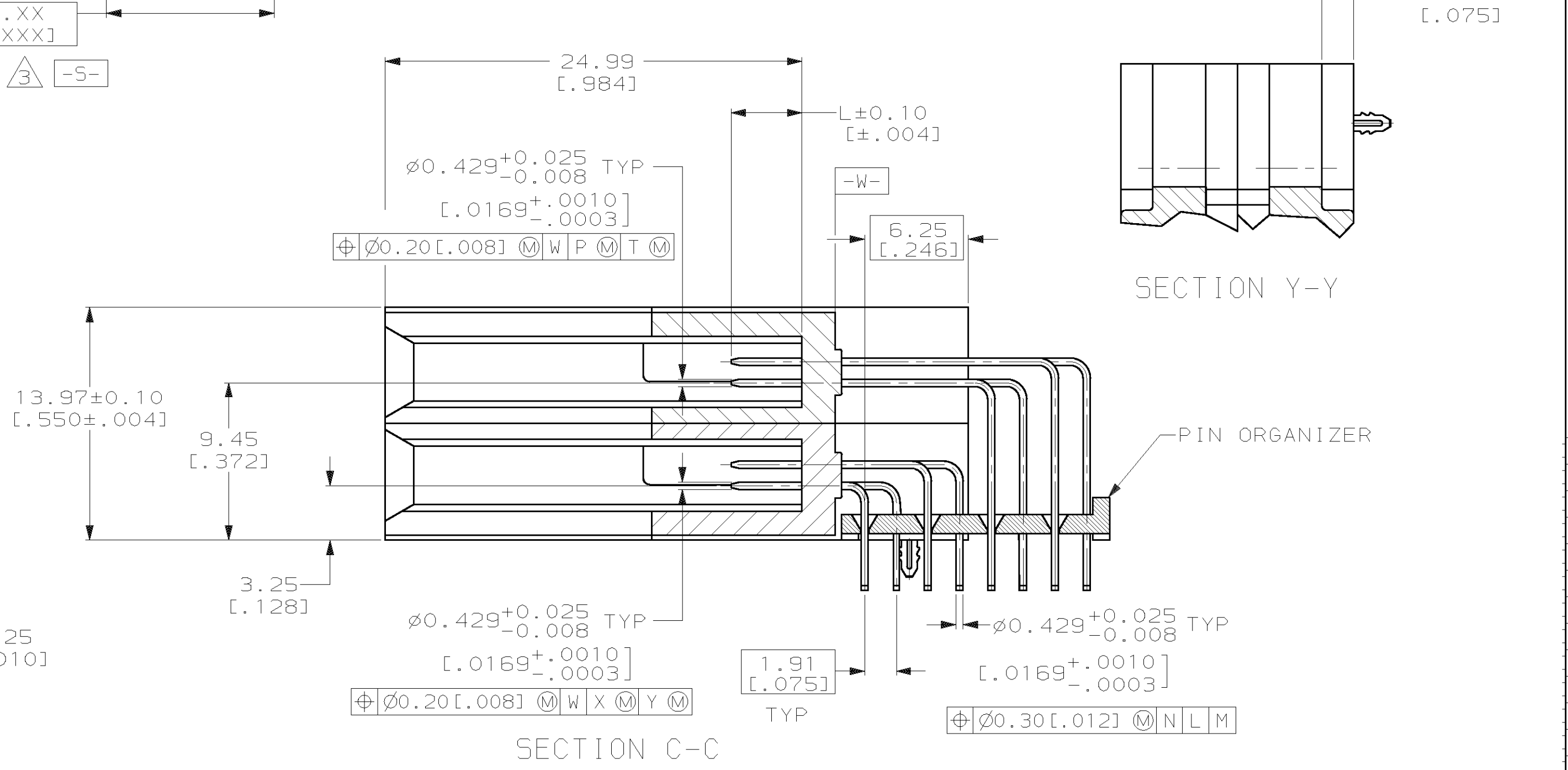
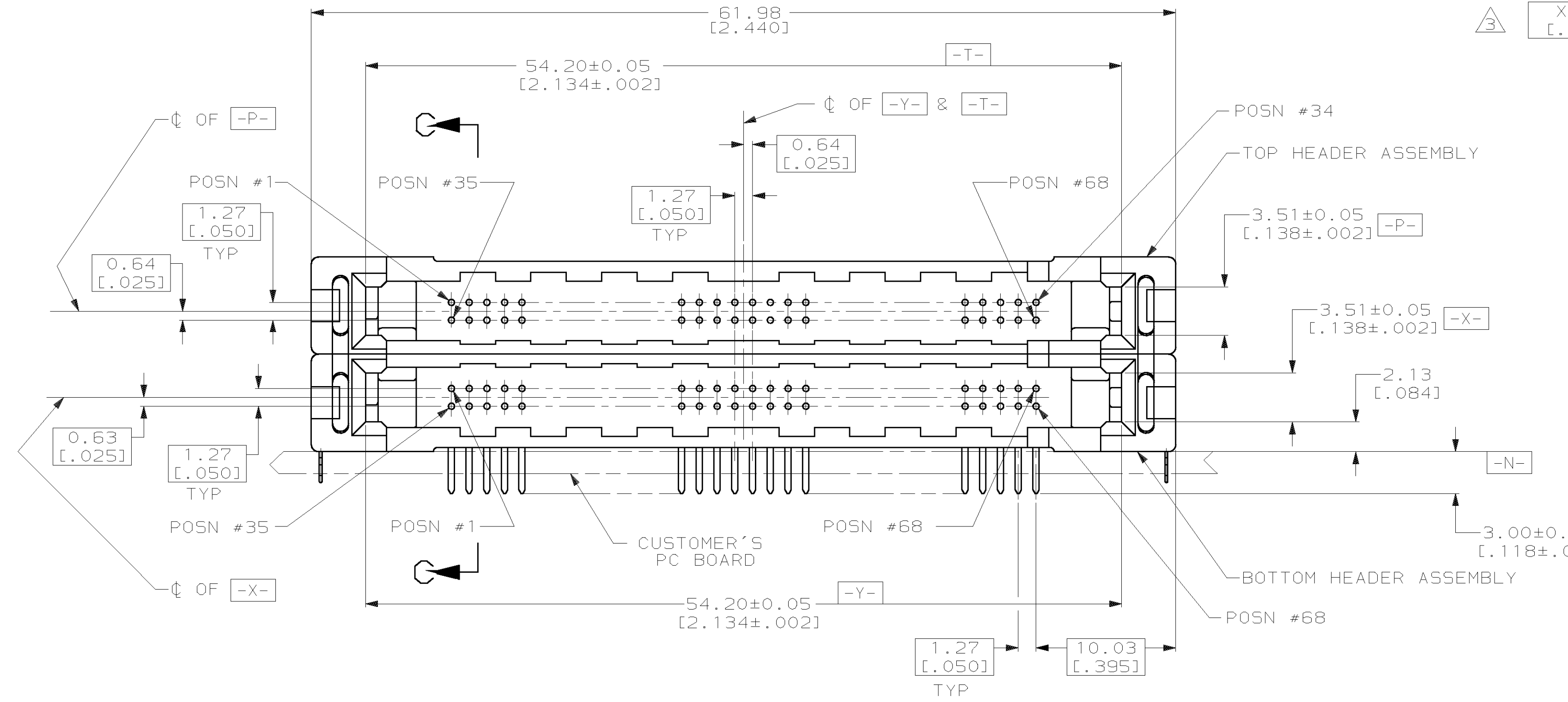
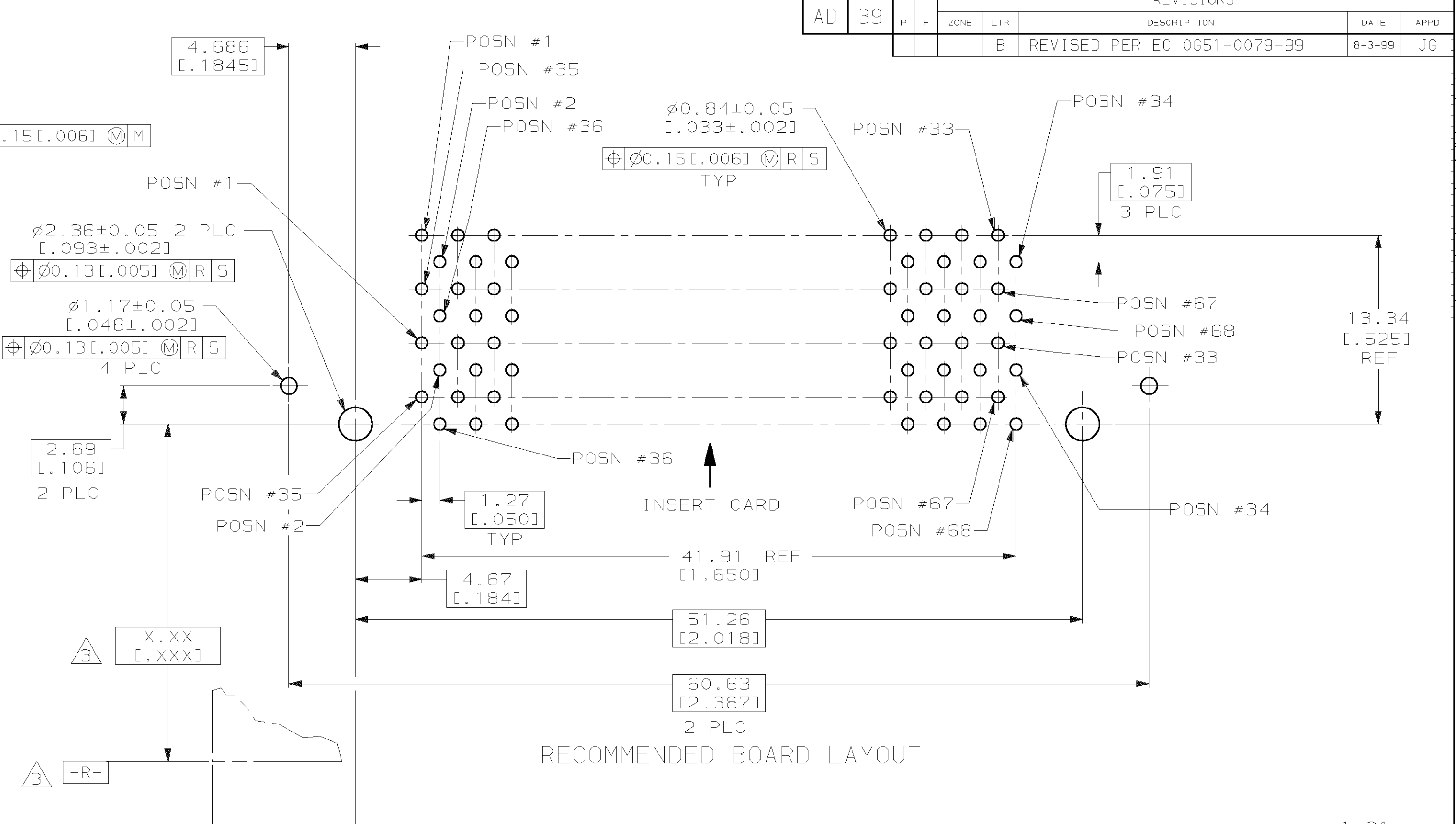
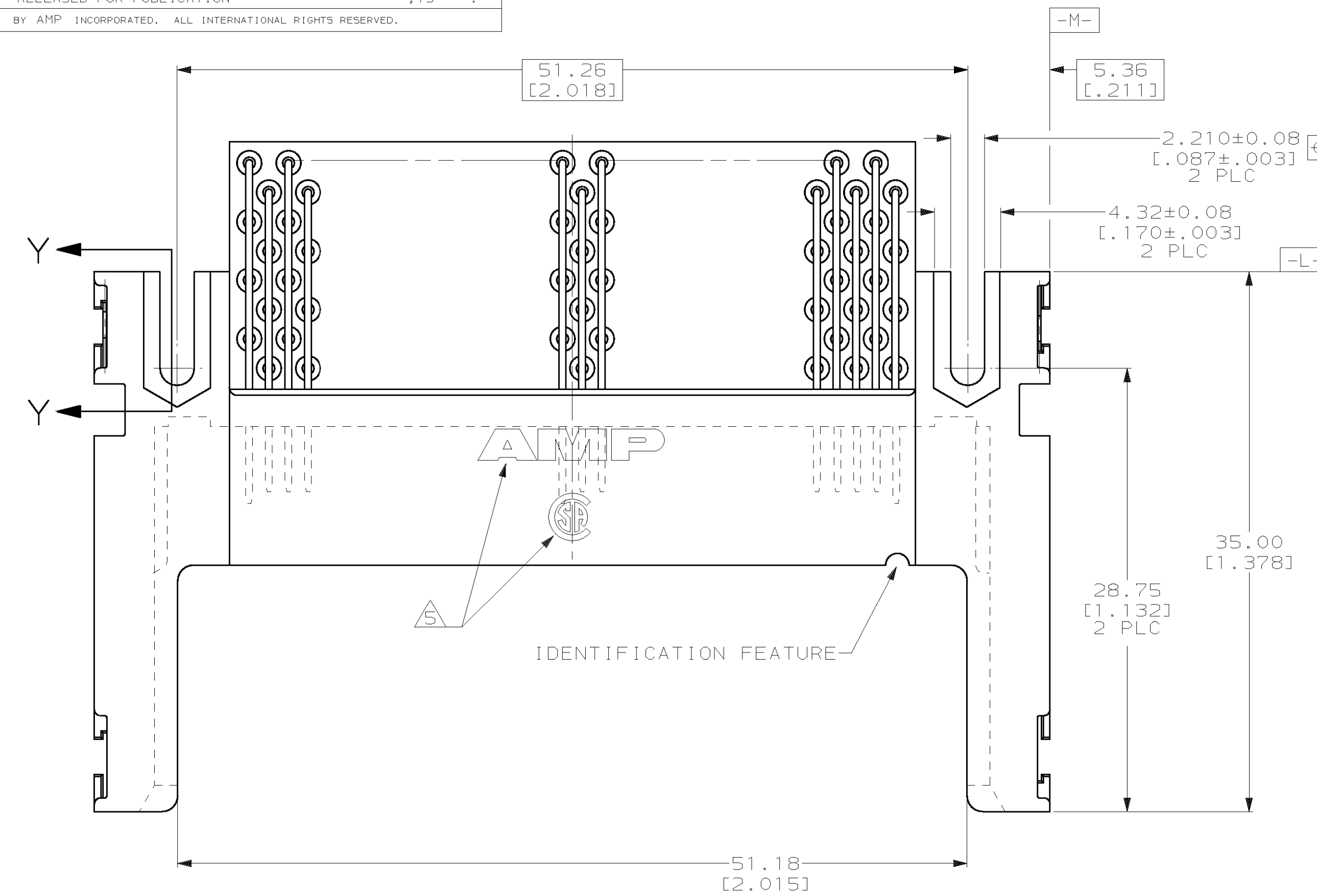


REVISED PER		DESCRIPTION	DATE	APPD
B	REVISED PER EC 0651-0079-99		8-3-99	JG



- 1. 0.00076 [0.000030] MINIMUM GOLD IN CONTACT AREA, 0.00381 [0.000150] MIN TIN-LEAD ON SOLDER TAILS, ALL OVER 0.00127 [0.000050] MINIMUM NICKEL
- 2. CUSTOMER TO PROVIDE CARD GUIDANCE SYSTEM
- 3. DATUMS AND BASIC DIMENSIONS ESTABLISHED BY CUSTOMER
- 4. CONNECTOR REQUIRES USE OF 2 - SIZE 2M SCREWS FOR FASTENING TO PRINTED CIRCUIT BOARD
- 5. RECESSED AMP AND CSA LOGOS LOCATED ON BOTH SIDES OF HOUSINGS.

"L" (PIN LENGTH) AND LOCATION	PART NO
1, 17, 34 35, 51, 68	146028-1
5.0 [0.197]	
ALL OTHER PINS	
4.25 [0.167]	
36, 67	
3.5 [0.138]	

DO NOT SCALE PRINT. UNLESS SPECIFIED DIMENSIONS IN mm [INCHES] TOLERANCES ON: 2 PLC DEC ± 0.13 [0.005] 3 PLC DEC ± - ANGLES ± -	DR 9/3/93 J MOSER CHK 9/3/93 B ELICKER APPD 9/3/93 B ELICKER APPD 9/3/93 B ELICKER PRODUCT SPEC - APPLICATION SPEC - WEIGHT 16.1 GRAMS	AMP Incorporated Harrisburg, PA 17105-3608 NAME STACKED PIN HEADER ASSEMBLY, 136 POSN, TOP BOARD MOUNTING, THRU-HOLE, WITH 2 HOLD-DOWNS, AMP MEMORY CARD SIZE D CAGE CODE 00779 DRAWING NO C-146028 SCALE 4:1 SHEET 1 OF 1
---	--	--

THIS DRAWING IS A CONTROLLED DOCUMENT FOR AMP INCORPORATED. IT IS SUBJECT TO CHANGE AND THE CONTROLLING ENGINEERING ORGANIZATION SHOULD BE CONTACTED FOR THE LATEST REVISION.