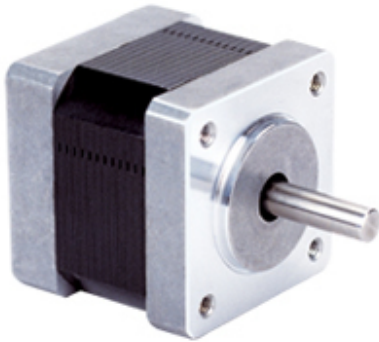
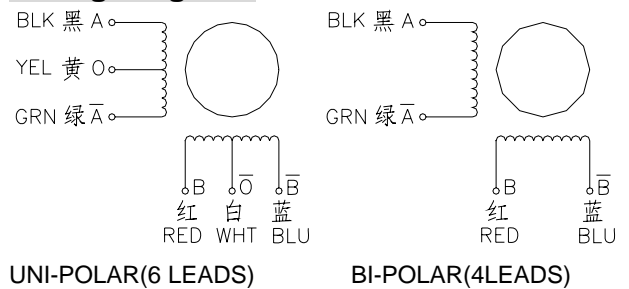
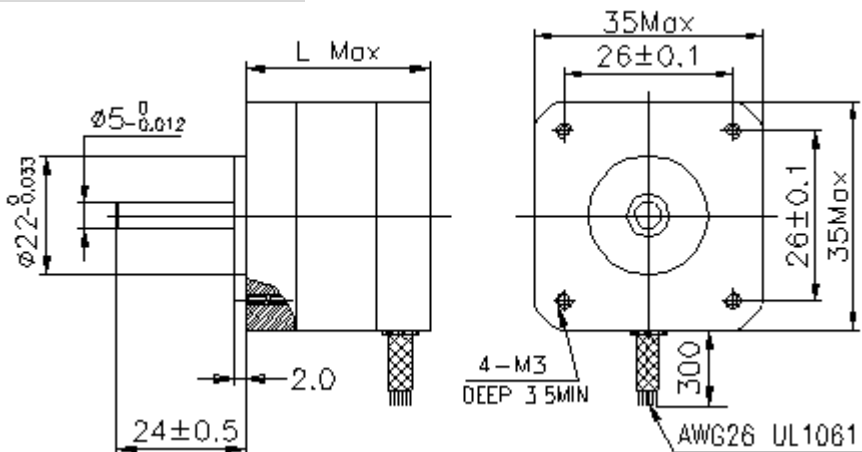


2 Phase Hybrid Stepper Motor 14H2A series-Size 35mm(1.8 degree)


Wiring Diagram:

Electrical Specifications:

Series Model	Old P/N	Motor Length (mm)	Rated Current (A)	Phase Resistance (ohm)	Phase Inductance (mH)	Holding Torque (N.cm Min)	Detent Torque (N.cm Max)	Rotor Inertia (g.cm ²)	Lead Wire (No.)	Motor Weight (g)
14H2A9404	14HY9401	22	0.38	20	16	6	0.5	11	4	80
14H2A2405	14HY2420	28	0.46	20	14	12	0.8	11	4	120
14H2A2408	14HY2402	28	0.8	5.0	5.0	12	0.8	11	4	120
14H2A2604	14HY2630	28	0.4	30	11	9	0.8	11	6	120
14H2A3404	14HY3401	34	0.42	25	32	18	1.0	13	4	160
14H2A3408	14HY3402	34	0.8	6.5	9.8	18	1.0	13	4	160
14H2A3604	14HY3630	34	0.4	30	22	12	1.0	13	6	160
14H2A5415	14HY5401	55	1.5	3.4	7.2	32	1.6	17	4	250

***Note:** We can manufacture products according to customer's requirements.

Dimensions: unit=mm

Motor Length:

Model	Length
14H2A0XXX	20 mm
14H2A9XXX	22 mm
14H2A2XXX	28 mm
14H2A3XXX	34 mm
14H2A5XXX	55 mm