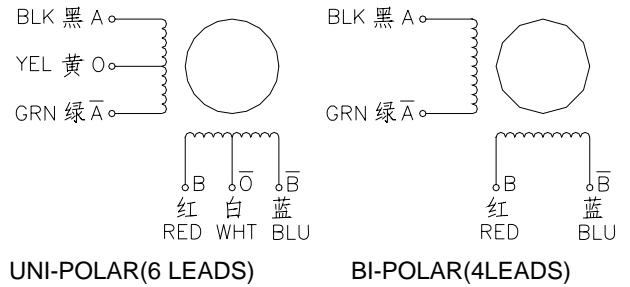


2 Phase Hybrid Stepper Motor 14H2R series-Size 36mm(0.9 degree)



Wiring Diagram:

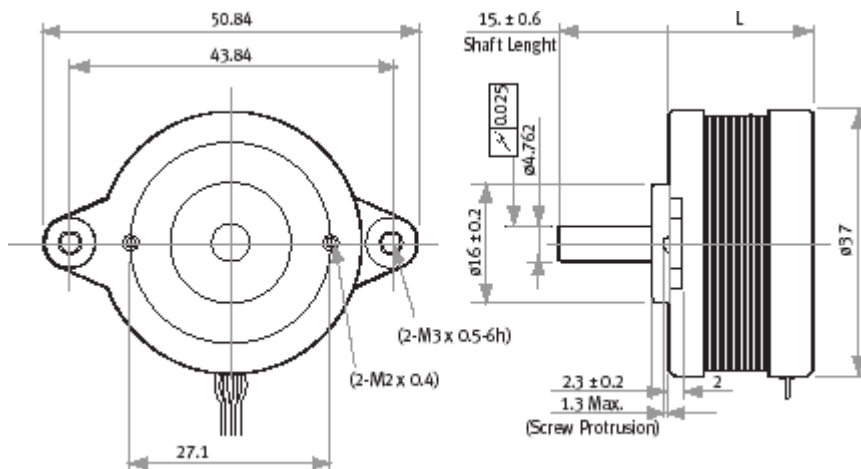


Electrical Specifications:

Series Model	Old P/N	Motor Length (mm)	Rated Current (A)	Phase Resistance (ohm)	Phase Inductance (mH)	Holding Torque (N.cm Min)	Detent Torque (N.cm Max)	Rotor Inertia (g.cm ²)	Lead Wire (No.)	Motor Weight (g)
14H2R1403	14HR1403	15.2	0.3	16.8	8.5	3.6	0.3	7.3	4	60
14H2R2445	14HR2445	19.7	0.45	15	8.2	8.8	0.3	19	4	110

*Note: We can manufacture products according to customer's requirements.

Dimensions: unit=mm



Motor Length:

Model	Length
14H2R1XXX	15.2 mm
14H2R2XXX	19.7 mm