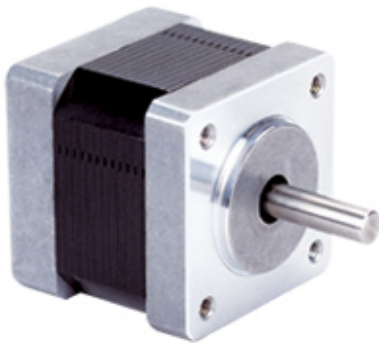
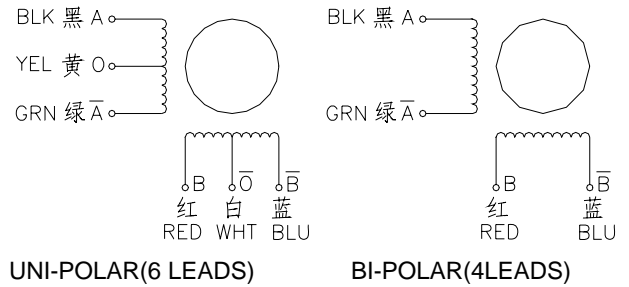


2 Phase Hybrid Stepper Motor 14HY series-Size 35mm(1.8 degree)



Wiring Diagram:

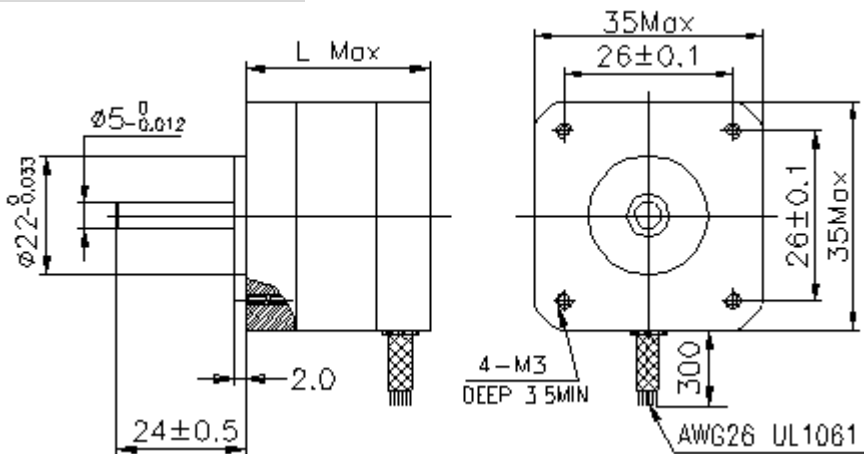


Electrical Specifications:

Series Model	Step Angle (deg)	Motor Length (mm)	Rated Current (A)	Phase Resistance (ohm)	Phase Inductance (mH)	Holding Torque (N.cm Min)	Detent Torque (N.cm Max)	Rotor Inertia (g.cm ²)	Lead Wire (No.)	Motor Weight (g)
14HY0401	1.8	20	0.38	20	16	6	0.5	11	4	80
14HY2420	1.8	28	0.46	20	14	12	0.8	11	4	120
14HY2402	1.8	28	0.8	5.0	5.0	12	0.8	11	4	120
14HY2630	1.8	28	0.4	30	11	9	0.8	11	6	120
14HY3401	1.8	34	0.42	25	32	18	1.0	13	4	160
14HY3402	1.8	34	0.8	6.5	9.8	18	1.0	13	4	160
14HY3630	1.8	34	0.4	30	22	12	1.0	13	6	160

*Note: We can manufacture products according to customer's requirements.

Dimensions: unit=mm



Motor Length:

Model	Length
14HY0XXX	20 mm
14HY2XXX	28 mm
14HY3XXX	34 mm