



14N40K-MT

Preliminary

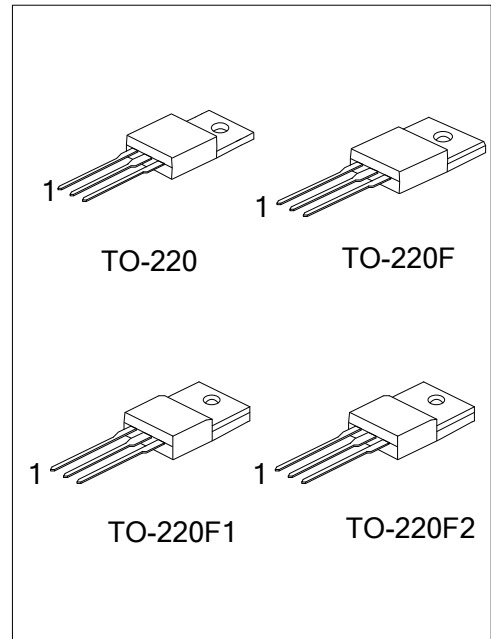
Power MOSFET

**14A, 400V N-CHANNEL
POWER MOSFET**

■ DESCRIPTION

The UTC **14N40K-MT** is an N-Channel enhancement mode power MOSFET. The device adopts planar stripe and uses DMOS technology to minimize and provide lower on-state resistance and faster switching speed. It can also withstand high energy pulse under the avalanche and commutation mode conditions.

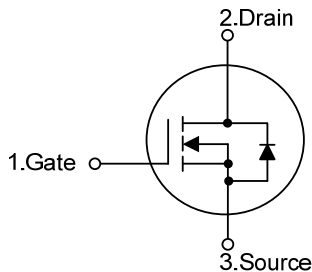
The UTC **14N40K-MT** is ideally suitable for high efficiency switch mode power supply, power factor correction and electronic lamp ballast based on half bridge topology.



■ FEATURES

- * $R_{DS(ON)} < 0.34\Omega @ V_{GS} = 10V, I_D = 7A$
- * Fast switching capability
- * Avalanche energy tested
- * Improved dv/dt capability, high ruggedness

■ SYMBOL



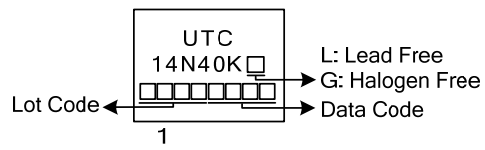
■ ORDERING INFORMATION

Ordering Number		Package	Pin Assignment			Packing
Lead Free	Halogen Free		1	2	3	
14N40KL-TA3-T	14N40KG-TA3-T	TO-220	G	D	S	Tube
14N40KL-TF3-T	14N40KG-TF3-T	TO-220F	G	D	S	Tube
14N40KL-TF1-T	14N40KG-TF1-T	TO-220F1	G	D	S	Tube
14N40KL-TF2-T	14N40KG-TF2-T	TO-220F2	G	D	S	Tube

Note: Pin Assignment: G: Gate D: Drain S: Source

<p>14N40KL-TA3-T</p> <p>(1) Packing Type</p> <p>(2) Package Type</p> <p>(3) Green Package</p>	<p>(1) T: Tube</p> <p>(2) TA3: TO-220, TF3: TO-220F, TF1: TO-220F1, TF2: TO-220F2</p> <p>(3) L: Lead Free, G: Halogen Free and Lead Free</p>
---	--

■ MARKING



■ ABSOLUTE MAXIMUM RATINGS ($T_C = 25^\circ\text{C}$, unless otherwise specified)

PARAMETER		SYMBOL	RATINGS	UNIT
Drain-Source Voltage		V_{DSS}	400	V
Gate-Source Voltage		V_{GSS}	± 30	V
Continuous Drain Current		I_D	14	A
Pulsed Drain Current (Note 2)		I_{DM}	48	A
Avalanche Current (Note 2)		I_{AR}	14	A
Single Pulsed Avalanche Energy (Note 3)		E_{AS}	535	mJ
Peak Diode Recovery dv/dt (Note 4)		dv/dt	4.5	V/ns
Power Dissipation ($T_C=25^\circ\text{C}$)	TO-220	P_D	150	W
	TO-220F/TO-220F1 TO-220F2		40	W
	Derate above 25°C		1.2	W/ $^\circ\text{C}$
TO-220	0.32		W/ $^\circ\text{C}$	
TO-220F/TO-220F1 TO-220F2				
Junction Temperature			T_J	+150
Storage Temperature		T_{STG}	-55~+150	$^\circ\text{C}$

Notes: 1. Absolute maximum ratings are those values beyond which the device could be permanently damaged.

Absolute maximum ratings are stress ratings only and functional device operation is not implied.

2. Repetitive Rating : Pulse width limited by maximum junction temperature

3. $L = 5.46\text{mH}$, $I_{AS} = 14\text{A}$, $V_{DD} = 50\text{V}$, $R_G = 25\Omega$, Starting $T_J = 25^\circ\text{C}$

4. $I_{SD} \leq 14\text{A}$, $di/dt \leq 200\text{A}/\mu\text{s}$, $V_{DD} \leq BV_{DSS}$, Starting $T_J = 25^\circ\text{C}$

■ THERMAL DATA

PARAMETER		SYMBOL	RATINGS	UNIT
Junction to Ambient		θ_{JA}	62.5	$^\circ\text{C}/\text{W}$
Junction to Case	TO-220	θ_{JC}	0.83	$^\circ\text{C}/\text{W}$
	TO-220F/TO-220F1 TO-220F2		3.125	$^\circ\text{C}/\text{W}$

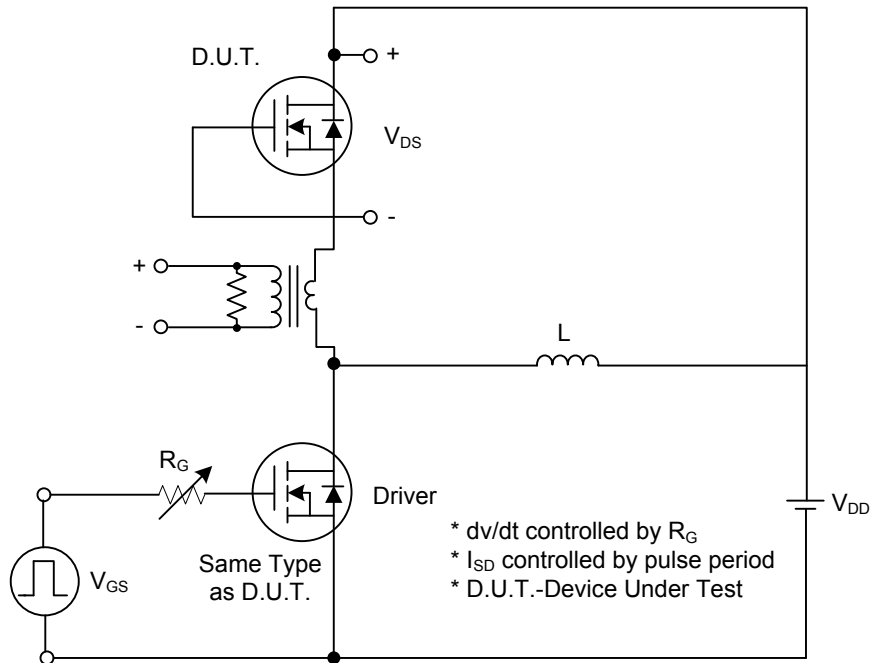
■ ELECTRICAL CHARACTERISTICS (T_C=25°C, unless otherwise specified)

PARAMETER	SYMBOL	TEST CONDITIONS	MIN	TYP	MAX	UNIT
OFF CHARACTERISTICS						
Drain-Source Breakdown Voltage	BV _{DSS}	V _{GS} = 0V, I _D = 1mA	400			V
Drain-Source Leakage Current	I _{DSS}	V _{DS} = 400V, V _{GS} = 0V			10	μA
Gate-Source Leakage Current	I _{GSS}	V _{GS} = 20V, V _{DS} = 0V			100	nA
		V _{GS} = -20V, V _{DS} = 0V			-100	nA
Breakdown Voltage Temperature Coefficient	ΔBV _{DSS} /ΔT _J	I _D =250mA, Referenced to 25°C		0.5		V/°C
ON CHARACTERISTICS						
Gate Threshold Voltage	V _{GS(TH)}	V _{DS} = V _{GS} , I _D = 250μA	2.0		4.0	V
Static Drain-Source On-State Resistance	R _{DS(ON)}	V _{GS} = 10V, I _D = 7A		0.26	0.34	Ω
DYNAMIC CHARACTERISTICS						
Input Capacitance	C _{ISS}	V _{DS} =25V, V _{GS} =0V, f=1.0MHz		810		pF
Output Capacitance	C _{OSS}			190		pF
Reverse Transfer Capacitance	C _{RSS}			10.5		pF
SWITCHING CHARACTERISTICS						
Total Gate Charge	Q _G	V _{DS} = 50V, V _{GS} = 10V, I _D = 0.3A, I _D =100μA (Note 1, 2)		34.9		nC
Gate-Source Charge	Q _{GS}			9.1		nC
Gate-Drain Charge	Q _{GD}			8.8		nC
Turn-On Delay Time	t _{D(ON)}	V _{DS} = 30V, V _{GS} = 10V, I _D = 0.3A, R _G = 25Ω (Note 1, 2)		66		nS
Turn-On Rise Time	t _R			96		nS
Turn-Off Delay Time	t _{D(OFF)}			200		nS
Turn-Off Fall Time	t _F			112		nS
DRAIN-SOURCE DIODE CHARACTERISTICS AND MAXIMUM RATINGS						
Drain-Source Diode Forward Voltage	V _{SD}	V _{GS} = 0V, I _S = 14A			1.4	V
Maximum Continuous Drain-Source Diode Forward Current	I _S				14	A
Maximum Pulsed Drain-Source Diode Forward Current	I _{SM}				56	A

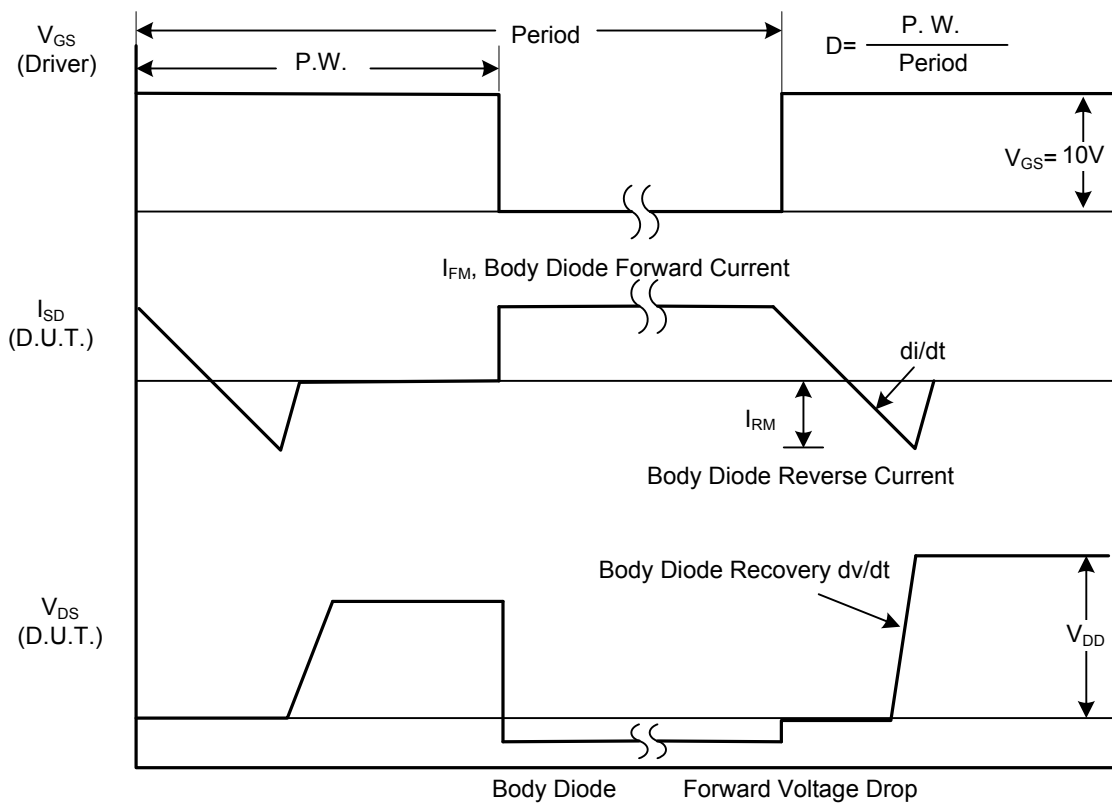
Notes: 1. Pulse Test : Pulse width≤300μs, Duty cycle≤2%.

2. Essentially independent of operating ambient temperature.

■ TEST CIRCUITS AND WAVEFORMS

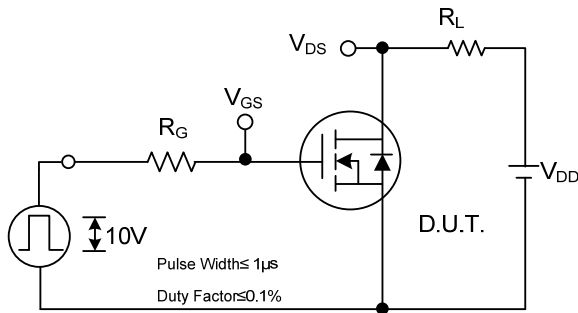


Peak Diode Recovery dv/dt Test Circuit

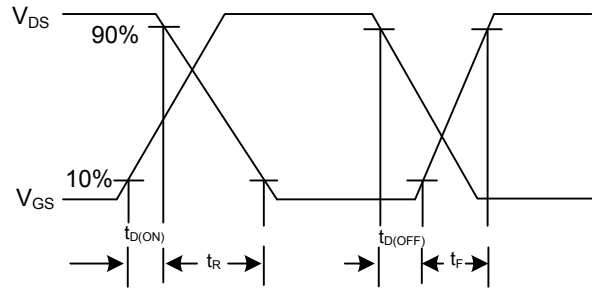


Peak Diode Recovery dv/dt Waveforms

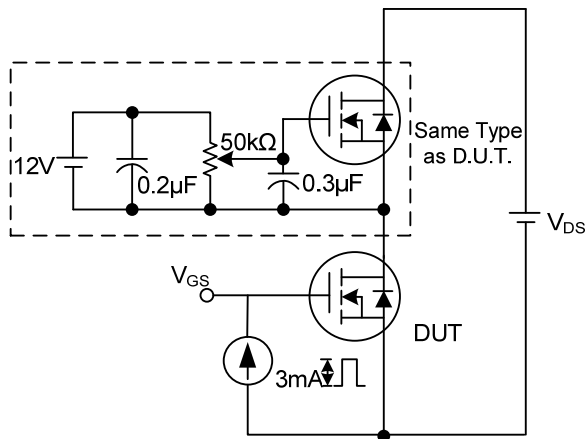
■ TEST CIRCUITS AND WAVEFORMS (Cont.)



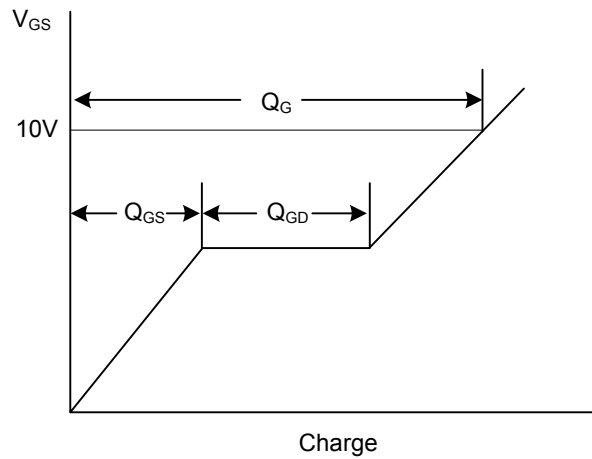
Switching Test Circuit



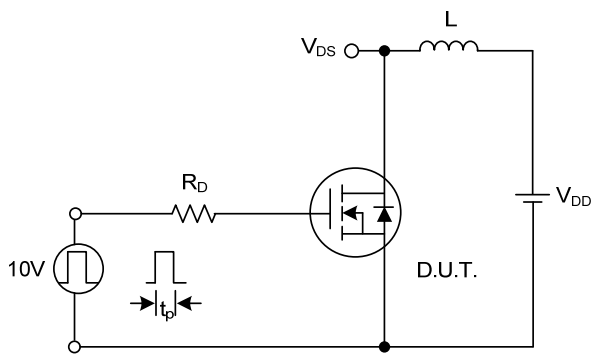
Switching Waveforms



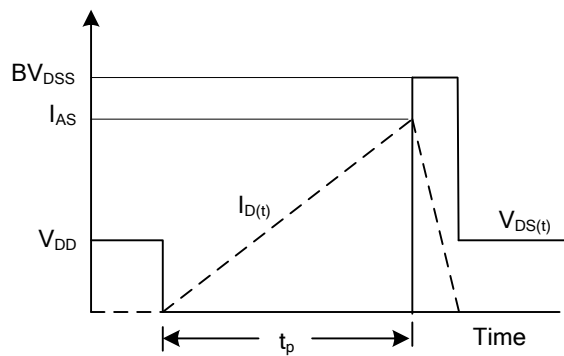
Gate Charge Test Circuit



Gate Charge Waveform



Unclamped Inductive Switching Test Circuit



Unclamped Inductive Switching Waveforms

UTC assumes no responsibility for equipment failures that result from using products at values that exceed, even momentarily, rated values (such as maximum ratings, operating condition ranges, or other parameters) listed in products specifications of any and all UTC products described or contained herein. UTC products are not designed for use in life support appliances, devices or systems where malfunction of these products can be reasonably expected to result in personal injury. Reproduction in whole or in part is prohibited without the prior written consent of the copyright owner. The information presented in this document does not form part of any quotation or contract, is believed to be accurate and reliable and may be changed without notice.