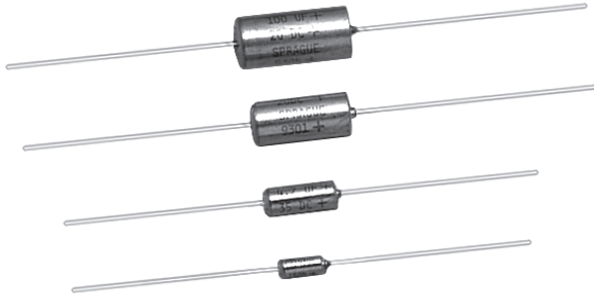


Solid-Electrolyte TANTALEX[®] Capacitors Hermetically-Sealed, Axial-Lead



FEATURES

- Terminations: Tin/lead (SnPb), 100 % Tin (RoHS compliant)
- These high performance, hermetically-sealed TANTALEX[®] capacitors have set the standard for solid-electrolyte tantalum capacitors for more than three decades.
- High capacitance, low DCL, low dissipation factor and exceptional operating stability.
- Performance and reliability have been proven in commercial, industrial and military applications.
- Available in four case codes and capacitors and are supplied with plastic-film insulation.
- Terminals are solid, tinned nickel wire leads.
- The Military equivalent to the 150D is the CSR13 which is qualified to MIL-C-39003/01.



RoHS*
COMPLIANT

PERFORMANCE CHARACTERISTICS

Operating Temperature: - 55 °C to + 85 °C
(To + 125 °C with voltage derating)

Capacitance Tolerance: At 120 Hz, + 25 °C. ± 20 %, ± 10 % standard. ± 5 % available as special.

Dissipation Factor: At 120 Hz, + 25 °C. Dissipation factor, as determined from the expression $2\pi fRC$, shall not exceed the values listed in the Standard Ratings Tables.

DC Leakage Current (DCL Max.):

At + 25 °C: Leakage current shall not exceed the values listed in the Standard Ratings Tables.

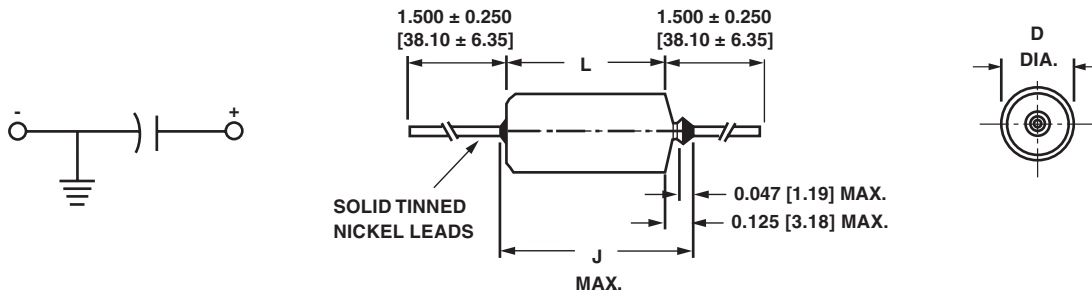
At + 85 °C: Leakage current shall not exceed 10 times the values listed in the Standard Ratings Tables.

At +125 °C: Leakage shall not exceed 15 times the values listed in the Standard Ratings Tables.

Life Test: Capacitors shall withstand rated DC voltage applied at + 85 °C for 2000 h or derated DC voltage applied at + 125 °C for 1000 h
Following the life test:

1. DCL shall not exceed 125 % of the initial requirement
2. Dissipation Factor shall meet the initial requirement
3. Change in capacitance shall not exceed ± 5 %

DIMENSIONS in inches [millimeters]



| CASE CODE | WITH INSULATING SLEEVE ⁽¹⁾ | | J (MAXIMUM) | LEAD SIZE | |
|-----------|---------------------------------------|---------------------------------|-------------------|-----------|------------------|
| | D | L | | AWG NO. | NOMINAL DIAMETER |
| A | 0.135 ± 0.016 [3.43 ± 0.41] | 0.286 ± 0.031 [7.26 ± 0.79] | 0.422 [10.720] | 24 | 0.020 [0.51] |
| B | 0.185 ± 0.016 [4.70 ± 0.41] | 0.474 ± 0.031 [12.04 ± 0.79] | 0.610 [15.490] | 24 | 0.020 [0.51] |
| R | 0.289 ± 0.016 [7.34 ± 0.41] | 0.686 ± 0.031 [17.42 ± 0.79] | 0.822 [20.880] | 22 | 0.025 [0.64] |
| S | 0.351 ± 0.016 [8.92 ± 0.41] | 0.786 ± 0.031 [19.96 ± 0.79] | 0.922 [23.420] | 22 | 0.025 [0.64] |

Note:

⁽¹⁾ When a shrink-fitted insulation is used, it shall lap over the ends of the capacitor body

* Pb containing terminations are not RoHs compliant, exemptions may apply



Solid-Electrolyte TANTALEX® Capacitors
Hermetically-Sealed, Axial-Lead

Vishay Sprague

| ORDERING INFORMATION | | | | | | | |
|----------------------|--|---|--|-----------------------------------|---------------------------------------|-------------------------------|---|
| 150D | 224 | X0 | 006 | A | 2 | T | E3 |
| MODEL | CAPACITANCE | CAPACITANCE TOLERANCE | DC VOLTAGE RATING | CASE CODE | STYLE NUMBER | PACKAGING | ROHS COMPLIANT |
| | This is expressed in picofarads. The first two digits are the significant figures. The third is the number of zeros to follow. | X0 = ± 20 % X9 = ± 10 % *X5 = ± 5 % *Special Order | This is expressed in volts. To complete the three-digit block, zeros precede the voltage rating. | See Ratings and Case Codes Table. | 0 = No Sleeve 2 = Insulated sleeve | B = Bulk T = Tape and Reel | E3 = 100 % Tin termination (RoHS compliant) Blank = SnPb termination |

| STANDARD RATINGS | | | | | | |
|---|-----------|---------------------------------|---------------------------------|--------------------------------|-------------------------------------|--|
| CAPACITANCE (µF) | CASE CODE | PART NUMBER CAP. TOL. ± 20 % | PART NUMBER CAP. TOL. ± 10 % | MAX. DCL AT + 25 °C (µA) | MAX. DF AT + 25 °C 120 Hz (%) | |
| 6 WVDC AT + 85 °C, SURGE = 8 V . . . 4 WVDC AT + 125 °C, SURGE = 5 V | | | | | | |
| 0.22 | A | 150D224X0006A2 | 150D224X9006A2 | 0.5 | 2 | |
| 0.27 | A | - | 150D274X9006A2 | 0.5 | 2 | |
| 0.33 | A | 150D334X0006A2 | 150D334X9006A2 | 0.5 | 2 | |
| 0.39 | A | - | 150D394X9006A2 | 0.5 | 2 | |
| 0.47 | A | 150D474X0006A2 | 150D474X9006A2 | 0.5 | 2 | |
| 0.56 | A | - | 150D564X9006A2 | 0.5 | 2 | |
| 0.68 | A | 150D684X0006A2 | 150D684X9006A2 | 0.5 | 2 | |
| 0.82 | A | - | 150D824X9006A2 | 0.5 | 2 | |
| 1.0 | A | 150D105X0006A2 | 150D105X9006A2 | 0.5 | 2 | |
| 1.2 | A | - | 150D125X9006A2 | 0.5 | 4 | |
| 1.5 | A | 150D155X0006A2 | 150D155X9006A2 | 0.5 | 4 | |
| 1.8 | A | - | 150D185X9006A2 | 0.5 | 4 | |
| 2.2 | A | 150D225X0006A2 | 150D225X9006A2 | 0.5 | 4 | |
| 2.7 | A | - | 150D275X9006A2 | 0.5 | 4 | |
| 3.3 | A | 150D335X0006A2 | 150D335X9006A2 | 0.5 | 4 | |
| 3.9 | A | - | 150D395X9006A2 | 0.5 | 4 | |
| 4.7 | A | 150D475X0006A2 | 150D475X9006A2 | 0.5 | 4 | |
| 5.6 | A | - | 150D565X9006A2 | 0.5 | 4 | |
| 6.8 | A | 150D685X0006A2 | 150D685X9006A2 | 0.5 | 6 | |
| 8.2 | B | - | 150D825X9006B2 | 0.5 | 6 | |
| 10.0 | B | 150D106X0006B2 | 150D106X9006B2 | 0.5 | 6 | |
| 12.0 | B | - | 150D126X9006B2 | 0.5 | 6 | |
| 15.0 | B | 150D156X0006B2 | 150D156X9006B2 | 1.0 | 6 | |
| 18.0 | B | - | 150D186X9006B2 | 1.0 | 6 | |
| 22.0 | B | 150D226X0006B2 | 150D226X9006B2 | 1.0 | 6 | |
| 27.0 | B | - | 150D276X9006B2 | 1.0 | 6 | |
| 33.0 | B | 150D336X0006B2 | 150D336X9006B2 | 1.0 | 6 | |
| 39.0 | B | - | 150D396X9006B2 | 1.0 | 6 | |
| 47.0 | B | 150D476X0006B2 | 150D476X9006B2 | 2.0 | 6 | |
| 56.0 | B | - | 150D566X9006B2 | 2.0 | 6 | |
| 68.0 | R | 150D686X0006R2 | 150D686X9006R2 | 3.0 | 6 | |
| 82.0 | R | - | 150D826X9006R2 | 3.0 | 6 | |
| 100.0 | R | 150D107X0006R2 | 150D107X9006R2 | 3.0 | 6 | |
| 120.0 | R | 150D127X0006R2 | 150D127X9006R2 | 3.0 | 6 | |
| 150.0 | R | 150D157X0006R2 | 150D157X9006R2 | 6.0 | 6 | |
| 180.0 | R | 150D187X0006R2 | 150D187X9006R2 | 6.0 | 6 | |
| 220.0 | S | 150D227X0006S2 | 150D227X9006S2 | 6.0 | 8 | |
| 270.0 | S | 150D277X0006S2 | 150D277X9006S2 | 6.0 | 8 | |
| 330.0 | S | 150D337X0006S2 | 150D337X9006S2 | 10.0 | 8 | |



| STANDARD RATINGS | | | | | |
|---|-----------|-------------------------------------|-------------------------------------|-------------------------------|-------------------------------------|
| CAPACITANCE (μF) | CASE CODE | PART NUMBER (1) CAP. TOL. ± 20 % | PART NUMBER (1) CAP. TOL. ± 10 % | Max. DCL AT+ 25 °C (μA) | Max. DF AT + 25 °C 120 Hz (%) |
| 10 WVDC AT + 85 °C, SURGE = 13 V . . . 7 WVDC AT + 125 °C, SURGE = 9 V | | | | | |
| 0.22 | A | 150D224X0010A2 | 150D224X9010A2 | 0.5 | 2 |
| 0.27 | A | - | 150D274X9010A2 | 0.5 | 2 |
| 0.33 | A | 150D334X0010A2 | 150D334X9010A2 | 0.5 | 2 |
| 0.39 | A | - | 150D394X9010A2 | 0.5 | 2 |
| 0.47 | A | 150D474X0010A2 | 150D474X9010A2 | 0.5 | 2 |
| 0.56 | A | - | 150D564X9010A2 | 0.5 | 2 |
| 0.68 | A | 150D684X0010A2 | 150D684X9010A2 | 0.5 | 2 |
| 0.82 | A | - | 150D824X9010A2 | 0.5 | 2 |
| 1.0 | A | 150D105X0010A2 | 150D105X9010A2 | 0.5 | 2 |
| 1.2 | A | - | 150D125X9010A2 | 0.5 | 4 |
| 1.5 | A | 150D155X0010A2 | 150D155X9010A2 | 0.5 | 4 |
| 1.8 | A | - | 150D185X9010A2 | 0.5 | 4 |
| 2.2 | A | 150D225X0010A2 | 150D225X9010A2 | 0.5 | 4 |
| 2.7 | A | - | 150D275X9010A2 | 0.5 | 4 |
| 3.3 | A | 150D335X0010A2 | 150D335X9010A2 | 0.5 | 4 |
| 3.9 | A | - | 150D395X9010A2 | 0.5 | 4 |
| 4.7 | A | 150D475X0010A2 | 150D475X9010A2 | 0.5 | 4 |
| 5.6 | B | - | 150D565X9010B2 | 0.5 | 4 |
| 6.8 | B | 150D685X0010B2 | 150D685X9010B2 | 1.0 | 6 |
| 8.2 | B | - | 150D825X9010B2 | 1.0 | 6 |
| 10.0 | B | 150D106X0010B2 | 150D106X9010B2 | 1.0 | 6 |
| 12.0 | B | - | 150D126X9010B2 | 1.0 | 6 |
| 15.0 | B | 150D156X0010B2 | 150D156X9010B2 | 1.0 | 6 |
| 18.0 | B | - | 150D186X9010B2 | 1.0 | 6 |
| 22.0 | B | 150D226X0010B2 | 150D226X9010B2 | 2.0 | 6 |
| 27.0 | B | - | 150D276X9010B2 | 2.0 | 6 |
| 33.0 | B | 150D336X0010B2 | 150D336X9010B2 | 2.0 | 6 |
| 39.0 | B | - | 150D396X9010B2 | 2.0 | 6 |
| 47.0 | R | 150D476X0010R2 | 150D476X9010R2 | 3.0 | 6 |
| 56.0 | R | - | 150D566X9010R2 | 3.0 | 6 |
| 68.0 | R | 150D686X0010R2 | 150D686X9010R2 | 3.0 | 6 |
| 82.0 | R | - | 150D826X9010R2 | 3.0 | 6 |
| 100.0 | R | 150D107X0010R2 | 150D107X9010R2 | 6.0 | 6 |
| 120.0 | R | 150D127X0010R2 | 150D127X9010R2 | 6.0 | 6 |
| 150.0 | S | 150D157X0010S2 | 150D157X9010S2 | 10.0 | 6 |
| 180.0 | S | 150D187X0010S2 | 150D187X9010S2 | 10.0 | 6 |
| 220.0 | S | 150D227X0010S2 | 150D227X9010S2 | 10.0 | 8 |
| 15 WVDC AT + 85 °C, SURGE = 20 V . . . 10 WVDC AT + 125 °C, SURGE = 12 V | | | | | |
| 0.22 | A | 150D224X0015A2 | 150D224X9015A2 | 0.5 | 2 |
| 0.27 | A | - | 150D274X9015A2 | 0.5 | 2 |
| 0.33 | A | 150D334X0015A2 | 150D334X9015A2 | 0.5 | 2 |
| 0.39 | A | - | 150D394X9015A2 | 0.5 | 2 |
| 0.47 | A | 150D474X0015A2 | 150D474X9015A2 | 0.5 | 2 |
| 0.56 | A | - | 150D564X9015A2 | 0.5 | 2 |
| 0.68 | A | 150D684X0015A2 | 150D684X9015A2 | 0.5 | 2 |
| 0.82 | A | - | 150D824X9015A2 | 0.5 | 2 |
| 1.0 | A | 150D105X0015A2 | 150D105X9015A2 | 0.5 | 2 |
| 1.2 | A | - | 150D125X9015A2 | 0.5 | 4 |
| 1.5 | A | 150D155X0015A2 | 150D155X9015A2 | 0.5 | 4 |
| 1.8 | A | - | 150D185X9015A2 | 0.5 | 4 |
| 2.2 | A | 150D225X0015A2 | 150D225X9015A2 | 0.5 | 4 |
| 2.7 | A | - | 150D275X9015A2 | 0.5 | 4 |
| 3.3 | A | 150D335X0015A2 | 150D335X9015A2 | 0.5 | 4 |
| 3.9 | B | - | 150D395X9015B2 | 0.5 | 4 |
| 4.7 | B | 150D475X0015B2 | 150D475X9015B2 | 1.0 | 4 |

Note:

(1) Insert capacitance tolerance code "X5" for ± 5 % units (special order)



Solid-Electrolyte TANTALEX® Capacitors
Hermetically-Sealed, Axial-Lead

Vishay Sprague

| STANDARD RATINGS | | | | | |
|---|-----------|-------------------------------------|-------------------------------------|--------------------------------|-------------------------------------|
| CAPACITANCE (μF) | CASE CODE | PART NUMBER (1) CAP. TOL. ± 20 % | PART NUMBER (1) CAP. TOL. ± 10 % | Max. DCL AT + 25 °C (μA) | Max. DF AT + 25 °C 120 Hz (%) |
| 15 WVDC AT + 85 °C, SURGE = 20 V . . . 10 WVDC AT + 125 °C, SURGE = 12 V | | | | | |
| 5.6 | B | - | 150D565X9015B2 | 1.0 | 4 |
| 6.8 | B | 150D685X0015B2 | 150D685X9015B2 | 1.0 | 6 |
| 8.2 | B | - | 150D825X9015B2 | 1.0 | 6 |
| 10.0 | B | 150D106X0015B2 | 150D106X9015B2 | 1.0 | 6 |
| 12.0 | B | - | 150D126X9015B2 | 1.0 | 6 |
| 15.0 | B | 150D156X0015B2 | 150D156X9015B2 | 2.0 | 6 |
| 18.0 | B | - | 150D186X9015B2 | 2.0 | 6 |
| 22.0 | B | 150D226X0015B2 | 150D226X9015B2 | 3.0 | 6 |
| 27.0 | R | - | 150D276X9015R2 | 3.0 | 6 |
| 33.0 | R | 150D336X0015R2 | 150D336X9015R2 | 3.0 | 6 |
| 39.0 | R | - | 150D396X9015R2 | 3.0 | 6 |
| 47.0 | R | 150D476X0015R2 | 150D476X9015R2 | 6.0 | 6 |
| 56.0 | R | - | 150D566X9015R2 | 6.0 | 6 |
| 68.0 | R | 150D686X0015R2 | 150D686X9015R2 | 6.0 | 6 |
| 82.0 | S | - | 150D826X9015S2 | 6.0 | 6 |
| 100.0 | S | 150D107X0015S2 | 150D107X9015S2 | 6.0 | 6 |
| 120.0 | S | 150D127X0015S2 | 150D127X9015S2 | 6.0 | 6 |
| 150.0 | S | 150D157X0015S2 | 150D157X9015S2 | 10.0 | 6 |
| 20 WVDC AT + 85 °C, SURGE = 26 V . . . 13 WVDC AT + 125 °C, SURGE = 16 V | | | | | |
| 0.027 | A | - | 150D273X9020A2 | 0.1 | 2 |
| 0.033 | A | 150D333X0020A2 | 150D333X9020A2 | 0.1 | 2 |
| 0.039 | A | - | 150D393X9020A2 | 0.1 | 2 |
| 0.047 | A | 150D473X0020A2 | 150D473X9020A2 | 0.1 | 2 |
| 0.056 | A | - | 150D563X9020A2 | 0.1 | 2 |
| 0.068 | A | 150D683X0020A2 | 150D683X9020A2 | 0.1 | 2 |
| 0.082 | A | - | 150D823X9020A2 | 0.1 | 2 |
| 0.10 | A | 150D104X0020A2 | 150D104X9020A2 | 0.5 | 2 |
| 0.12 | A | - | 150D124X9020A2 | 0.5 | 2 |
| 0.15 | A | 150D154X0020A2 | 150D154X9020A2 | 0.5 | 2 |
| 0.18 | A | - | 150D184X9020A2 | 0.5 | 2 |
| 0.22 | A | 150D224X0020A2 | 150D224X9020A2 | 0.5 | 2 |
| 0.27 | A | - | 150D274X9020A2 | 0.5 | 2 |
| 0.33 | A | 150D334X0020A2 | 150D334X9020A2 | 0.5 | 2 |
| 0.39 | A | - | 150D394X9020A2 | 0.5 | 2 |
| 0.47 | A | 150D474X0020A2 | 150D474X9020A2 | 0.5 | 2 |
| 0.56 | A | - | 150D564X9020A2 | 0.5 | 2 |
| 0.68 | A | 150D684X0020A2 | 150D684X9020A2 | 0.5 | 2 |
| 0.82 | A | - | 150D824X9020A2 | 0.5 | 2 |
| 1.0 | A | 150D105X0020A2 | 150D105X9020A2 | 0.5 | 2 |
| 1.2 | A | - | 150D125X9020A2 | 0.5 | 4 |
| 1.5 | A | 150D155X0020A2 | 150D155X9020A2 | 0.5 | 4 |
| 1.8 | A | - | 150D185X9020A2 | 0.5 | 4 |
| 2.2 | A | 150D225X0020A2 | 150D225X9020A2 | 0.5 | 4 |
| 2.7 | B | - | 150D275X9020B2 | 0.5 | 4 |
| 3.3 | B | 150D335X0020B2 | 150D335X9020B2 | 0.5 | 4 |
| 3.9 | B | - | 150D395X9020B2 | 1.0 | 4 |
| 4.7 | B | 150D475X0020B2 | 150D475X9020B2 | 1.0 | 4 |
| 5.6 | B | - | 150D565X9020B2 | 1.0 | 4 |
| 6.8 | B | 150D685X0020B2 | 150D685X9020B2 | 1.0 | 6 |
| 8.2 | B | - | 150D825X9020B2 | 1.0 | 6 |
| 10.0 | B | 150D106X0020B2 | 150D106X9020B2 | 1.0 | 6 |
| 12.0 | B | - | 150D126X9020B2 | 1.0 | 6 |
| 15.0 | B | 150D156X0020B2 | 150D156X9020B2 | 2.0 | 6 |

Note:

(1) Insert capacitance tolerance code "X5" for ± 5 % units (special order)



| STANDARD RATINGS | | | | | |
|---|-----------|-------------------------------------|-------------------------------------|--------------------------------|-------------------------------------|
| CAPACITANCE (μF) | CASE CODE | PART NUMBER (1) CAP. TOL. ± 20 % | PART NUMBER (1) CAP. TOL. ± 10 % | Max. DCL AT + 25 °C (μA) | Max. DF AT + 25 °C 120 Hz (%) |
| 20 WVDC AT + 85 °C, SURGE = 26 V . . . 13 WVDC AT + 125 °C, SURGE = 16 V | | | | | |
| 18.0 | R | - | 150D186X9020R2 | 3.0 | 6 |
| 22.0 | R | 150D226X0020R2 | 150D226X9020R2 | 3.0 | 6 |
| 27.0 | R | - | 150D276X9020R2 | 3.0 | 6 |
| 33.0 | R | 150D336X0020R2 | 150D336X9020R2 | 3.0 | 6 |
| 39.0 | R | - | 150D396X9020R2 | 3.0 | 6 |
| 47.0 | R | 150D476X0020R2 | 150D476X9020R2 | 6.0 | 6 |
| 56.0 | S | - | 150D566X9020S2 | 6.0 | 6 |
| 68.0 | S | 150D686X0020S2 | 150D686X9020S2 | 6.0 | 6 |
| 82.0 | S | - | 150D826X9020S2 | 6.0 | 6 |
| 100.0 | S | 150D107X0020S2 | 150D107X9020S2 | 10.0 | 6 |
| 35 WVDC AT + 85 °C, SURGE = 46 V . . . 23 WVDC AT + 125 °C, SURGE = 28 V | | | | | |
| 0.027 | A | - | 150D273X9035A2 | 0.1 | 2 |
| 0.033 | A | 150D333X0035A2 | 150D333X9035A2 | 0.1 | 2 |
| 0.039 | A | - | 150D393X9035A2 | 0.1 | 2 |
| 0.047 | A | 150D473X0035A2 | 150D473X9035A2 | 0.1 | 2 |
| 0.056 | A | - | 150D563X9035A2 | 0.1 | 2 |
| 0.068 | A | 150D683X0035A2 | 150D683X9035A2 | 0.1 | 2 |
| 0.082 | A | - | 150D823X9035A2 | 0.1 | 2 |
| 0.10 | A | 150D104X0035A2 | 150D104X9035A2 | 0.5 | 2 |
| 0.12 | A | - | 150D124X9035A2 | 0.5 | 2 |
| 0.15 | A | 150D154X0035A2 | 150D154X9035A2 | 0.5 | 2 |
| 0.18 | A | - | 150D184X9035A2 | 0.5 | 2 |
| 0.22 | A | 150D224X0035A2 | 150D224X9035A2 | 0.5 | 2 |
| 0.27 | A | - | 150D274X9035A2 | 0.5 | 2 |
| 0.33 | A | 150D334X0035A2 | 150D334X9035A2 | 0.5 | 2 |
| 0.39 | A | - | 150D394X9035A2 | 0.5 | 2 |
| 0.47 | A | 150D474X0035A2 | 150D474X9035A2 | 0.5 | 2 |
| 0.56 | A | - | 150D564X9035A2 | 0.5 | 2 |
| 0.68 | A | 150D684X0035A2 | 150D684X9035A2 | 0.5 | 2 |
| 0.82 | A | - | 150D824X9035A2 | 0.5 | 2 |
| 1.0 | A | 150D105X0035A2 | 150D105X9035A2 | 0.5 | 2 |
| 1.2 | B | - | 150D125X9035B2 | 0.5 | 4 |
| 1.5 | B | 150D155X0035B2 | 150D155X9035B2 | 0.5 | 4 |
| 1.8 | B | - | 150D185X9035B2 | 0.5 | 4 |
| 2.2 | B | 150D225X0035B2 | 150D225X9035B2 | 1.0 | 4 |
| 2.7 | B | - | 150D275X9035B2 | 1.0 | 4 |
| 3.3 | B | 150D335X0035B2 | 150D335X9035B2 | 1.0 | 4 |
| 3.9 | B | - | 150D395X9035B2 | 1.0 | 4 |
| 4.7 | B | 150D475X0035B2 | 150D475X9035B2 | 1.0 | 4 |
| 5.6 | B | - | 150D565X9035B2 | 1.0 | 4 |
| 6.8 | B | 150D685X0035B2 | 150D685X9035B2 | 2.0 | 4 |
| 8.2 | R | - | 150D825X9035R2 | 3.0 | 4 |
| 10.0 | R | 150D106X0035R2 | 150D106X9035R2 | 3.0 | 4 |
| 12.0 | R | - | 150D126X9035R2 | 3.0 | 4 |
| 15.0 | R | 150D156X0035R2 | 150D156X9035R2 | 3.0 | 4 |
| 18.0 | R | - | 150D186X9035R2 | 3.0 | 4 |
| 22.0 | R | 150D226X0035R2 | 150D226X9035R2 | 6.0 | 4 |
| 27.0 | S | - | 150D276X9035S2 | 6.0 | 4 |
| 33.0 | S | 150D336X0035S2 | 150D336X9035S2 | 6.0 | 4 |
| 39.0 | S | - | 150D396X9035S2 | 6.0 | 4 |
| 47.0 | S | 150D476X0035S2 | 150D476X9035S2 | 10.0 | 4 |

Note:

(1) Insert capacitance tolerance code "X5" for ± 5 % units (special order)



Solid-Electrolyte TANTALEX® Capacitors
Hermetically-Sealed, Axial-Lead

Vishay Sprague

| STANDARD RATINGS | | | | | | |
|---|------------------|--|--|--------------------------------|-------------------------------|--|
| CAPACITANCE (µF) | CASE CODE | PART NUMBER ⁽¹⁾ CAP. TOL. ± 20 % | PART NUMBER ⁽¹⁾ CAP. TOL. ± 10 % | Max. DCL AT + 25 °C | Max. DF AT + 25 °C | |
| 50 WVDC AT + 85 °C, SURGE = 65 V ... 33 WVDC AT + 125 °C, SURGE = 40 V | | | | | | |
| 0.056 | A | - | 150D563X9050A2 | 0.1 | 2 | |
| 0.068 | A | 150D683X0050A2 | 150D683X9050A2 | 0.1 | 2 | |
| 0.082 | A | - | 150D823X9050A2 | 0.1 | 2 | |
| 0.10 | A | 150D104X0050A2 | 150D104X9050A2 | 0.5 | 2 | |
| 0.12 | A | - | 150D124X9050A2 | 0.5 | 2 | |
| 0.15 | A | 150D154X0050A2 | 150D154X9050A2 | 0.5 | 2 | |
| 0.18 | A | - | 150D184X9050A2 | 0.5 | 2 | |
| 0.22 | A | 150D224X0050A2 | 150D224X9050A2 | 0.5 | 2 | |
| 0.27 | A | - | 150D274X9050A2 | 0.5 | 2 | |
| 0.33 | A | 150D334X0050A2 | 150D334X9050A2 | 0.5 | 2 | |
| 0.39 | A | - | 150D394X9050A2 | 0.5 | 2 | |
| 0.47 | A | 150D474X0050A2 | 150D474X9050A2 | 0.5 | 2 | |
| 0.56 | A | - | 150D564X9050A2 | 0.5 | 2 | |
| 0.68 | A | 150D684X0050A2 | 150D684X9050A2 | 0.5 | 2 | |
| 0.82 | A | - | 150D824X9050A2 | 0.5 | 2 | |
| 1.0 | A | 150D105X0050A2 | 150D105X9050A2 | 0.5 | 2 | |
| 1.2 | B | - | 150D125X9050B2 | 0.5 | 4 | |
| 1.5 | B | 150D155X0050B2 | 150D155X9050B2 | 0.5 | 4 | |
| 1.8 | B | - | 150D185X9050B2 | 0.5 | 4 | |
| 2.2 | B | 150D225X0050B2 | 150D225X9050B2 | 1.0 | 4 | |
| 2.7 | B | - | 150D275X9050B2 | 1.0 | 4 | |
| 3.3 | B | 150D335X0050B2 | 150D335X9050B2 | 2.0 | 4 | |
| 3.9 | B | - | 150D395X9050B2 | 2.0 | 4 | |
| 4.7 | B | 150D475X0050B2 | 150D475X9050B2 | 3.0 | 4 | |
| 5.6 | R | - | 150D565X9050R2 | 3.0 | 4 | |
| 6.8 | R | 150D685X0050R2 | 150D685X9050R2 | 3.0 | 4 | |
| 8.2 | R | - | 150D825X9050R2 | 3.0 | 4 | |
| 10.0 | R | 150D106X0050R2 | 150D106X9050R2 | 3.0 | 4 | |
| 12.0 | R | - | 150D126X9050R2 | 3.0 | 4 | |
| 15.0 | R | 150D156X0050R2 | 150D156X9050R2 | 6.0 | 4 | |
| 18.0 | R | - | 150D186X9050R2 | 6.0 | 4 | |
| 22.0 | S | 150D226X0050S2 | 150D226X9050S2 | 6.0 | 4 | |
| 60 WVDC AT + 85 °C, SURGE = 78 V ... 40 WVDC AT +125 °C, SURGE = 49 V | | | | | | |
| 0.1 | A | 150D104X0060A2 | 150D104X9060A2 | 0.5 | 4.0 | |
| 0.12 | A | 150D124X0060A2 | 150D124X9060A2 | 0.5 | 4.0 | |
| 0.15 | A | 150D154X0060A2 | 150D154X9060A2 | 0.5 | 4.0 | |
| 0.18 | A | 150D184X0060A2 | 150D184X9060A2 | 0.5 | 4.0 | |
| 0.22 | A | 150D224X0060A2 | 150D224X9060A2 | 0.5 | 4.0 | |
| 0.27 | A | 150D274X0060A2 | 150D274X9060A2 | 0.5 | 4.0 | |
| 0.33 | A | 150D334X0060A2 | 150D334X9060A2 | 0.5 | 4.0 | |
| 0.39 | A | 150D394X0060A2 | 150D394X9060A2 | 0.5 | 4.0 | |
| 0.47 | A | 150D474X0060A2 | 150D474X9060A2 | 0.5 | 4.0 | |
| 0.56 | A | 150D564X0060A2 | 150D564X9060A2 | 0.5 | 4.0 | |
| 0.68 | A | 150D684X0060A2 | 150D684X9060A2 | 0.5 | 4.0 | |
| 1.0 | B | 150D105X0060A2 | 150D105X9060A2 | 0.5 | 4.0 | |
| 2.2 | B | 150D225X0060A2 | 150D225X9060A2 | 1.0 | 4.0 | |
| 4.7 | R | 150D475X0060A2 | 150D475X9060A2 | 3.0 | 6.0 | |
| 5.6 | R | 150D565X0060A2 | 150D565X9060A2 | 3.0 | 6.0 | |
| 6.8 | R | 150D685X0060A2 | 150D685X9060A2 | 4.0 | 6.0 | |
| 8.2 | R | 150D825X0060A2 | 150D825X9060A2 | 5.0 | 6.0 | |
| 10 | R | 150D106X0060A2 | 150D106X9060A2 | 6.0 | 6.0 | |
| 12 | S | 150D126X0060A2 | 150D126X9060A2 | 6.0 | 6.0 | |
| 15 | S | 150D156X0060A2 | 150D156X9060A2 | 9.0 | 6.0 | |
| 18 | S | 150D186X0060A2 | 150D186X9060A2 | 10.0 | 6.0 | |
| 22 | S | 150D226X0060A2 | 150D226X9060A2 | 12.0 | 6.0 | |

Note:

(1) Insert capacitance tolerance code "X5" for ± 5 % units (special order)



| STANDARD RATINGS | | | | | |
|---|-----------|-------------------------------------|-------------------------------------|--------------------------------|-------------------------------------|
| CAPACITANCE (μF) | CASE CODE | PART NUMBER (1) CAP. TOL. ± 20 % | PART NUMBER (1) CAP. TOL. ± 10 % | Max. DCL AT + 25 °C (μA) | Max. DF AT + 25 °C 120 Hz (%) |
| 75 WVDC AT + 85 °C, SURGE = 98 V . . . 50 WVDC AT + 125 °C, SURGE = 64 V | | | | | |
| 0.033 | A | 150D333X0075A2 | 150D333X9075A2 | 0.5 | 2 |
| 0.039 | A | - | 150D393X9075A2 | 0.5 | 2 |
| 0.047 | A | 150D473X0075A2 | 150D473X9075A2 | 0.5 | 2 |
| 0.056 | A | - | 150D563X9075A2 | 0.5 | 2 |
| 0.068 | A | 150D683X0075A2 | 150D683X9075A2 | 0.5 | 2 |
| 0.082 | A | - | 150D823X9075A2 | 0.5 | 2 |
| 0.10 | A | 150D104X0075A2 | 150D104X9075A2 | 0.5 | 2 |
| 0.12 | A | - | 150D124X9075A2 | 0.5 | 2 |
| 0.15 | A | 150D154X0075A2 | 150D154X9075A2 | 0.5 | 2 |
| 0.18 | A | - | 150D184X9075A2 | 0.5 | 2 |
| 0.22 | A | 150D224X0075A2 | 150D224X9075A2 | 0.5 | 2 |
| 0.27 | A | - | 150D274X9075A2 | 0.5 | 2 |
| 0.33 | A | 150D334X0075A2 | 150D334X9075A2 | 0.5 | 2 |
| 0.39 | A | - | 150D394X9075A2 | 0.5 | 2 |
| 0.47 | A | 150D474X0075A2 | 150D474X9075A2 | 0.5 | 2 |
| 0.56 | A | - | 150D564X9075A2 | 0.5 | 2 |
| 0.68 | A | 150D684X0075A2 | 150D684X9075A2 | 0.5 | 2 |
| 0.82 | B | - | 150D824X9075B2 | 0.5 | 2 |
| 1.0 | B | 150D105X0075B2 | 150D105X9075B2 | 0.5 | 2 |
| 1.2 | B | - | 150D125X9075B2 | 0.5 | 4 |
| 1.5 | B | 150D155X0075B2 | 150D155X9075B2 | 1.0 | 4 |
| 1.8 | B | - | 150D185X9075B2 | 1.0 | 4 |
| 2.2 | B | 150D225X0075B2 | 150D225X9075B2 | 1.0 | 4 |
| 2.7 | B | - | 150D275X9075B2 | 1.0 | 4 |
| 3.3 | B | 150D335X0075B2 | 150D335X9075B2 | 2.0 | 4 |
| 3.9 | B | - | 150D395X9075B2 | 2.0 | 4 |
| 4.7 | R | 150D475X0075R2 | 150D475X9075R2 | 4.0 | 4 |
| 5.6 | R | - | 150D565X9075R2 | 4.0 | 4 |
| 6.8 | R | 150D685X0075R2 | 150D685X9075R2 | 6.0 | 4 |
| 8.2 | R | - | 150D825X9075R2 | 6.0 | 4 |
| 10.0 | R | 150D106X0075R2 | 150D106X9075R2 | 8.0 | 4 |
| 12.0 | S | - | 150D126X9075S2 | 10.0 | 4 |
| 15.0 | S | 150D156X0075S2 | 150D156X9075S2 | 12.0 | 4 |
| 100 WVDC AT + 85 °C, SURGE = 130 V . . . 67 WVDC AT + 125 °C, SURGE = 86 V | | | | | |
| 0.033 | A | 150D333X0100A2 | 150D333X9100A2 | 0.5 | 2 |
| 0.039 | A | - | 150D393X9100A2 | 0.5 | 2 |
| 0.047 | A | 150D473X0100A2 | 150D473X9100A2 | 0.5 | 2 |
| 0.056 | A | - | 150D563X9100A2 | 0.5 | 2 |
| 0.068 | A | 150D683X0100A2 | 150D683X9100A2 | 0.5 | 2 |
| 0.082 | A | - | 150D823X9100A2 | 0.5 | 2 |
| 0.10 | A | 150D104X0100A2 | 150D104X9100A2 | 0.5 | 2 |
| 0.12 | A | - | 150D124X9100A2 | 0.5 | 2 |
| 0.15 | A | 150D154X0100A2 | 150D154X9100A2 | 0.5 | 2 |
| 0.18 | A | - | 150D184X9100A2 | 0.5 | 2 |
| 0.22 | A | 150D224X0100A2 | 150D224X9100A2 | 0.5 | 2 |
| 0.27 | A | - | 150D274X9100A2 | 0.5 | 2 |
| 0.33 | A | 150D334X0100A2 | 150D334X9100A2 | 0.5 | 2 |
| 0.39 | A | - | 150D394X9100A2 | 0.5 | 2 |
| 0.47 | A | 150D474X0100A2 | 150D474X9100A2 | 0.5 | 2 |
| 0.56 | A | - | 150D564X9100A2 | 0.5 | 2 |
| 0.68 | B | 150D684X0100B2 | 150D684X9100B2 | 0.5 | 2 |
| 0.82 | B | - | 150D824X9100B2 | 0.5 | 2 |

Note:

(1) Insert capacitance tolerance code "X5" for ± 5 % units (special order)



Solid-Electrolyte TANTALEX® Capacitors
Hermetically-Sealed, Axial-Lead

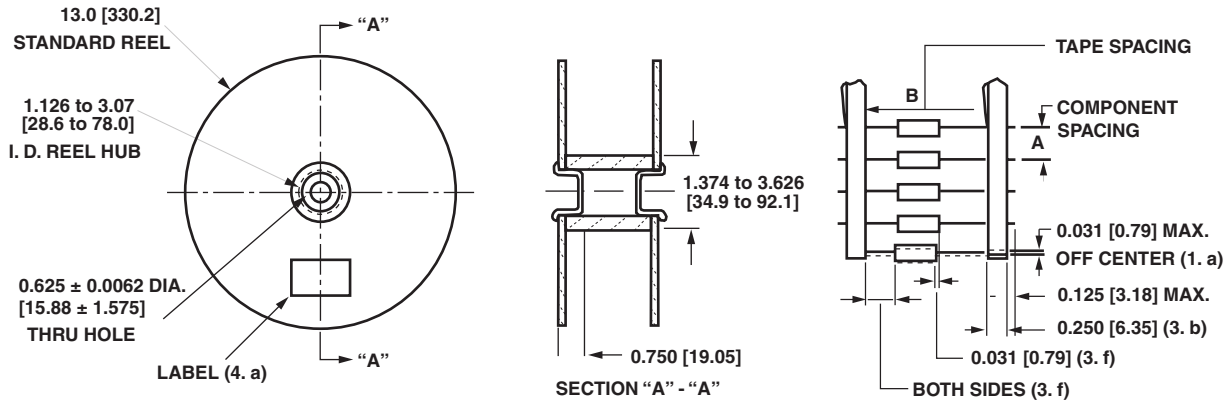
Vishay Sprague

| STANDARD RATINGS | | | | | |
|---|-----------|-------------------------------------|-------------------------------------|--------------------------------|-------------------------------------|
| CAPACITANCE (μF) | CASE CODE | PART NUMBER (1) CAP. TOL. ± 20 % | PART NUMBER (1) CAP. TOL. ± 10 % | Max. DCL AT + 25 °C (μA) | Max. DF AT + 25 °C 120 Hz (%) |
| 100 WVDC AT + 85 °C, SURGE = 130 V . . . 67 WVDC AT + 125 °C, SURGE = 86 V | | | | | |
| 1.0 | B | 150D105X0100B2 | 150D105X9100B2 | 0.5 | 2 |
| 1.2 | B | - | 150D125X9100B2 | 0.5 | 3 |
| 1.5 | B | 150D155X0100B2 | 150D155X9100B2 | 0.6 | 3 |
| 1.8 | B | - | 150D185X9100B2 | 0.6 | 3 |
| 2.2 | B | 150D225X0100B2 | 150D225X9100B2 | 0.6 | 3 |
| 2.7 | B | - | 150D275X9100B2 | 0.6 | 3 |
| 3.3 | R | 150D335X0100R2 | 150D335X9100R2 | 2.5 | 3 |
| 3.9 | R | - | 150D395X9100R2 | 3.0 | 3 |
| 4.7 | R | 150D475X0100R2 | 150D475X9100R2 | 4.0 | 3 |
| 5.6 | R | - | 150D565X9100R2 | 4.0 | 3 |
| 6.8 | R | 150D685X0100R2 | 150D685X9100R2 | 6.0 | 3 |
| 8.2 | S | 150D825X0100S2 | 150D825X9100S2 | 6.0 | 3 |
| 10 | S | 150D106X0100S2 | 150D106X9100S2 | 6.0 | 3 |
| 125 WVDC AT + 85 °C, SURGE = 140 V . . . 82 WVDC AT + 125 °C, SURGE = 94 V | | | | | |
| 0.027 | A | - | 150D273X9125A2 | 1.0 | 2 |
| 0.033 | A | 150D333X0125A2 | 150D333X9125A2 | 1.0 | 2 |
| 0.039 | A | - | 150D393X9125A2 | 1.0 | 2 |
| 0.047 | A | 150D473X0125A2 | 150D473X9125A2 | 1.0 | 2 |
| 0.056 | A | - | 150D563X9125A2 | 1.0 | 2 |
| 0.068 | A | 150D683X0125A2 | 150D683X9125A2 | 1.0 | 2 |
| 0.082 | A | - | 150D823X9125A2 | 1.0 | 2 |
| 0.10 | A | 150D104X0125A2 | 150D104X9125A2 | 1.0 | 2 |
| 0.12 | A | - | 150D124X9125A2 | 1.0 | 2 |
| 0.15 | A | 150D154X0125A2 | 150D154X9125A2 | 1.0 | 2 |
| 0.18 | A | - | 150D184X9125A2 | 1.0 | 2 |
| 0.22 | A | 150D224X0125A2 | 150D224X9125A2 | 1.0 | 2 |
| 0.27 | A | - | 150D274X9125A2 | 1.0 | 2 |
| 0.33 | A | 150D334X0125A2 | 150D334X9125A2 | 1.0 | 2 |
| 0.39 | A | - | 150D394X9125A2 | 1.5 | 2 |
| 0.47 | A | 150D474X0125A2 | 150D474X9125A2 | 1.5 | 2 |
| 0.56 | B | - | 150D564X9125B2 | 1.6 | 2 |
| 0.68 | B | 150D684X0125B2 | 150D684X9125B2 | 1.8 | 2 |
| 0.82 | B | - | 150D824X9125B2 | 2.0 | 2 |
| 1.0 | B | 150D105X0125B2 | 150D105X9125B2 | 2.0 | 2 |
| 1.2 | B | - | 150D125X9125B2 | 2.0 | 3 |
| 1.5 | B | 150D155X0125B2 | 150D155X9125B2 | 2.0 | 3 |
| 1.8 | B | - | 150D185X9125B2 | 2.0 | 3 |
| 2.2 | B | 150D225X0125B2 | 150D225X9125B2 | 2.0 | 3 |

Note:

(1) Insert capacitance tolerance code "X5" for ± 5 % units (special order).

STANDARD REEL PACKAGING SPECIFICATIONS - MEETS EIA STANDARD RS-296 in inches [millimeters]



| CASE CODE | TYPE 150D UNITS WITH INSULATING SLEEVE | | LEAD SIZE | | COMPONENT SPACING | TAPE SPACING | UNITS PER REEL |
|-----------|--|---------------------------------|-----------|-----------------|---------------------------------|---------------------------------|----------------|
| | D | L | AWG NO. | NOM. DIA. | A | B | |
| A | 0.135 ± 0.016 [3.43 ± 0.41] | 0.286 ± 0.031 [7.26 ± 0.79] | 24 | 0.020 [0.51] | 0.200 ± 0.015 [5.08 ± 0.38] | 2.500 ± 0.062 [63.5 ± 1.57] | 1000 |
| B | 0.185 ± 0.016 [4.70 ± 0.41] | 0.474 ± 0.031 [12.04 ± 0.79] | 24 | 0.020 [0.51] | 0.200 ± 0.015 [5.08 ± 0.38] | 2.500 ± 0.062 [63.5 ± 1.57] | 1000 |
| R | 0.289 ± 0.016 [7.34 ± 0.41] | 0.686 ± 0.031 [17.42 ± 0.79] | 22 | 0.025 [0.64] | 0.400 ± 0.015 [10.16 ± 0.38] | 2.875 ± 0.062 [73.03 ± 1.57] | 500 |
| S | 0.351 ± 0.016 [8.92 ± 0.41] | 0.786 ± 0.031 [19.96 ± 0.79] | 22 | 0.025 [0.64] | 0.400 ± 0.015 [10.16 ± 0.38] | 2.875 ± 0.062 [73.03 ± 1.57] | 500 |

STANDARD REEL PACKAGING INFORMATION

1. Component Leads:

- a. Component leads shall not be bent beyond 0.047" [1.19 mm] maximum from their nominal position when measured from the leading edge of the component lead at the inside tape edge and at the lead egress from the component.
- b. The "C" dimension shall be governed by the overall length of the reel packaged component. The distance between flanges shall be 0.125" to 0.250" [3.18 mm to 6.35 mm] greater than the overall component length.

2. Orientation:

All polarized components must be oriented to one direction. The cathode lead tape shall be a color and the anode lead tape shall be white.

3. Reeling:

- a. Components on any reel shall not represent more than two date codes when date code identification is required.
- b. Component leads shall be positioned between pairs of 0.250" [6.35 mm] tape.
- c. The disposable reels have hubs and corrugated fibreboard flanges and core or equivalent.
- d. A minimum of 12.0" [304.8 mm] leader of tape shall be provided before the first and after the last component on the reel.
- e. 50 or 60 lb. Kraft paper must be wound between layer of components as far as necessary for component protection. Width of paper to be 0.062" to 0.250" [1.57 mm to 6.35 mm] less than the "C" dimension of the reel. Solid-Electrolyte TANTALEX® Capacitors Hermetically- Sealed, Axial-Lead.

- f. A row of components must be centered between tapes ± 0.047" [1.19 mm]. In addition, individual components may deviate from center of component row ± 0.031" [0.79 mm].
- g. Staples shall not be used for splicing. Not more than 4 layers of tape shall be used in any splice area and no tape shall be offset from another by more than 0.031" [0.79 mm] non-cumulative. Tape splices shall overlap at least 6.0" [152.4 mm] for butt joints and at least 3.0" [76.2 mm] for lap joints and shall not be weaker than unspliced tape. Universal splicing clips may also be used.
- h. Quantity per reel shall be controlled so that tape components and cover shall not extend beyond the smallest dimension of the flange (either across flats or diameter). Once the quantity per reel for each part number has been established, future orders for that part number shall be packaged in that quantity. When order or release quantity is less than the established quantity, a standard commercial pack is to be used.
- i. A maximum of 0.25 % of the components per reel quantity may be missing without consecutive missing components.
- j. Adequate protection must be provided to prevent physical damage to both reel and components during shipment and storage.

4. Marking:

Minimum reel and carton marking shall consist of the following: Customer Part Number, Purchase Order No., Quantity, Package Date, Manufacturer's Name, Electrical Value, Date Code, Vishay Sprague Part Number and Country of Origin.



Disclaimer

All product specifications and data are subject to change without notice.

Vishay Intertechnology, Inc., its affiliates, agents, and employees, and all persons acting on its or their behalf (collectively, "Vishay"), disclaim any and all liability for any errors, inaccuracies or incompleteness contained herein or in any other disclosure relating to any product.

Vishay disclaims any and all liability arising out of the use or application of any product described herein or of any information provided herein to the maximum extent permitted by law. The product specifications do not expand or otherwise modify Vishay's terms and conditions of purchase, including but not limited to the warranty expressed therein, which apply to these products.

No license, express or implied, by estoppel or otherwise, to any intellectual property rights is granted by this document or by any conduct of Vishay.

The products shown herein are not designed for use in medical, life-saving, or life-sustaining applications unless otherwise expressly indicated. Customers using or selling Vishay products not expressly indicated for use in such applications do so entirely at their own risk and agree to fully indemnify Vishay for any damages arising or resulting from such use or sale. Please contact authorized Vishay personnel to obtain written terms and conditions regarding products designed for such applications.

Product names and markings noted herein may be trademarks of their respective owners.