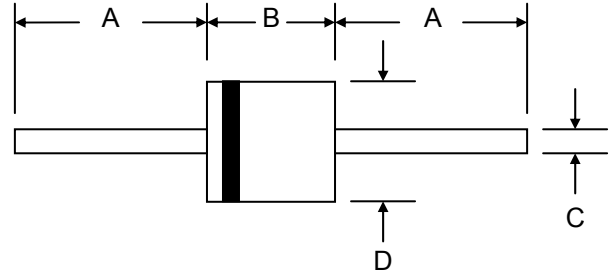


Features

- Glass Passivated Die Construction
- 15000W Peak Pulse Power Dissipation
- 17V – 280V Standoff Voltage
- Uni- and Bi-Directional Versions Available
- Excellent Clamping Voltage
- Typical Response Time < 1nS
- Plastic Case Material has UL Flammability Classification Rating 94V-0



Mechanical Data

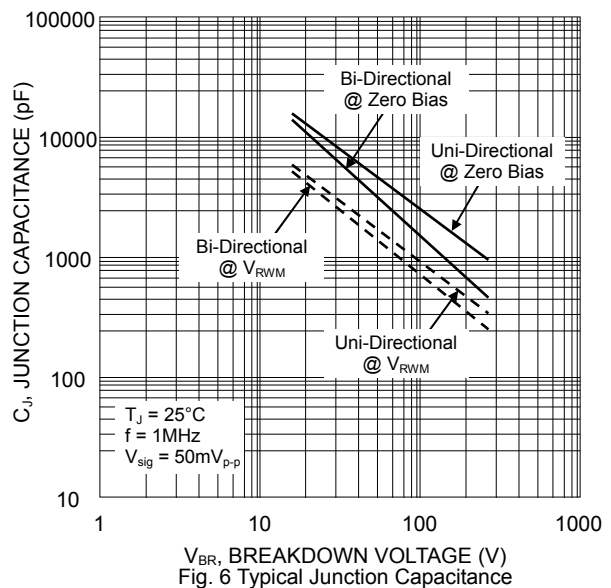
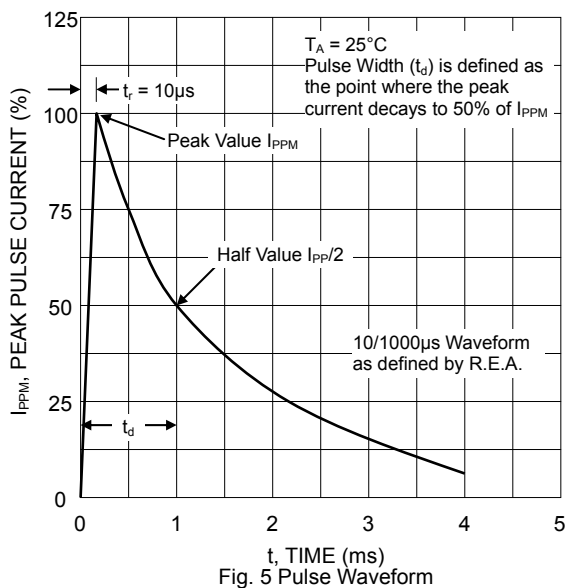
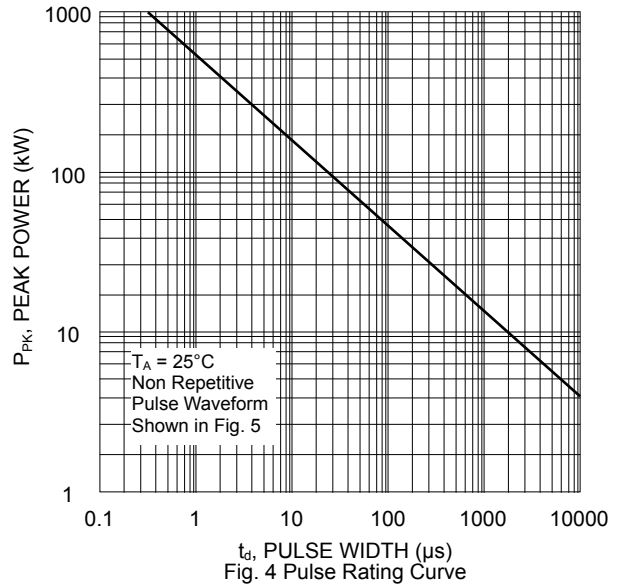
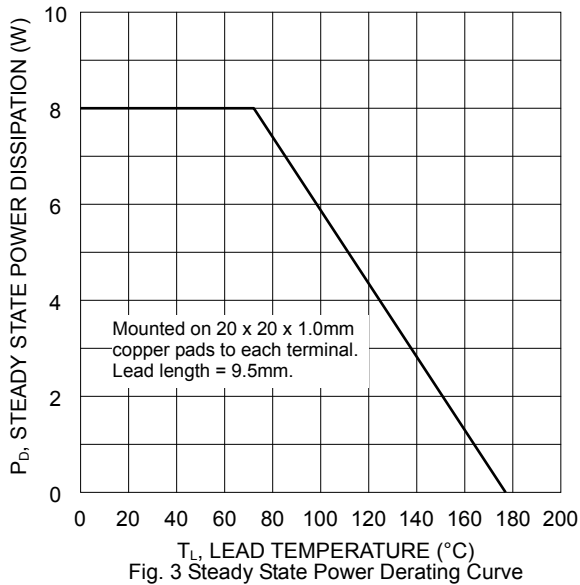
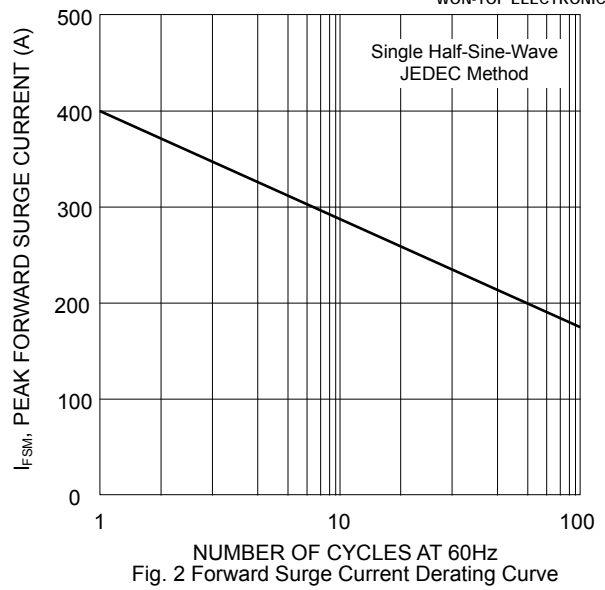
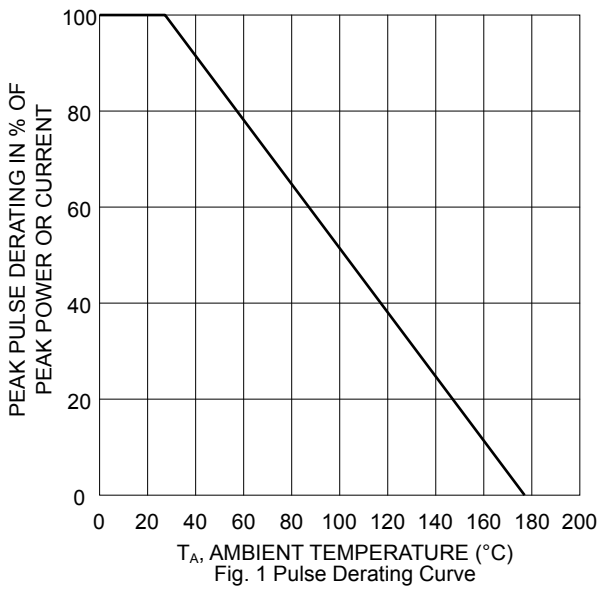
- Case: P-600, Molded Plastic
- Terminals: Plated Leads Solderable per MIL-STD-202, Method 208
- Polarity: Cathode Band Except Bi-Directional
- Weight: 2.10 grams (approx.)
- Mounting Position: Any
- Marking: Type Number
- **Lead Free: For RoHS / Lead Free Version, Add "-LF" Suffix to Part Number, See Page 5**

P-600		
Dim	Min	Max
A	25.4	—
B	8.60	9.10
C	1.20	1.30
D	8.60	9.10
All Dimensions in mm		

Maximum Ratings and Electrical Characteristics @ $T_A=25^\circ\text{C}$ unless otherwise specified

Characteristic	Symbol	Value	Unit
Peak Pulse Power Dissipation on 10/1000 μS Waveform (Note 1, 2, 4)	PPPM	15000	W
Peak Pulse Current on 10/1000 μS Waveform (Note 1)	IPPM	See Table 1	A
Peak Forward Surge Current (Note 2, 3)	IFSM	400	A
Power Dissipation at $T_L = 75^\circ\text{C}$ (Note 2)	P_D	8.0	W
Typical Thermal Resistance, Junction to Ambient (Note 2)	R_{JA}	40	$^\circ\text{C}/\text{W}$
Typical Thermal Resistance, Junction to Lead (Note 2)	R_{JL}	8.0	$^\circ\text{C}/\text{W}$
Operating and Storage Temperature Range	T_J, T_{STG}	-55 to +175	$^\circ\text{C}$

- Note: 1. Non-repetitive current pulse per Figure 5 and derated above $T_A = 25^\circ\text{C}$ per Figure 1.
 2. Mounted on 20 x 20 x 1.0mm thick copper pads to each terminal that maintained at a distance of 9.5mm from the case.
 3. Measured on 8.3ms single half sine-wave, duty cycle = 4 pulses per minute maximum. For uni-directional devices only.
 4. Peak pulse power waveform is 10/1000 μS .

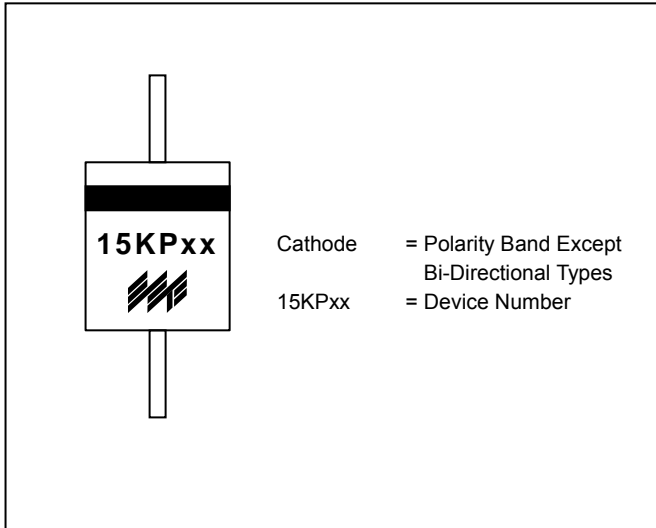


Electrical Characteristics (@T_A=25°C unless otherwise specified) Table 1

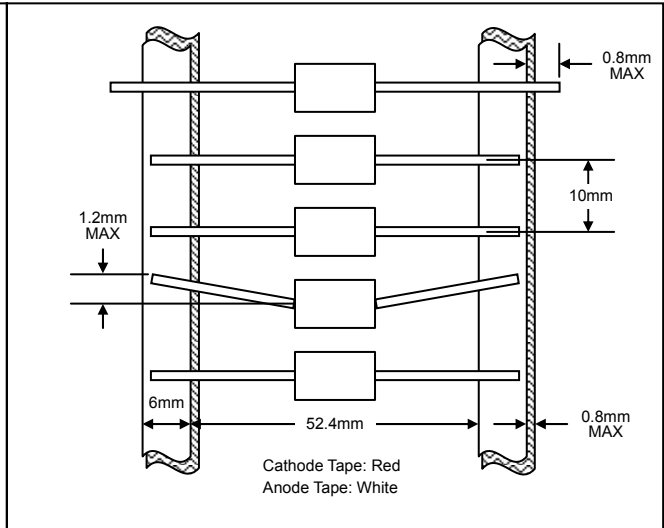
Uni-Directional Part No.	Bi-Directional Part No.	Reverse Stand-Off Voltage V _{RWM} (V)	Breakdown Voltage V _{BR} (V) @I _T		Test Current I _T (mA)	Maximum Clamping Voltage @I _{PP} V _C (V)	Peak Pulse Current I _{PP} (A)	Reverse Leakage* @V _{RWM} I _R (μA)
			Min.	Max.				
15KP17A	15KP17CA	17.0	18.99	20.79	50	29.3	515.4	5000
15KP18A	15KP18CA	18.0	20.11	22.01	50	30.9	488.7	5000
15KP20A	15KP20CA	20.0	22.34	24.46	20	34.3	440.2	1500
15KP22A	15KP22CA	22.0	24.57	26.91	10	37.1	407.0	500
15KP24A	15KP24CA	24.0	26.81	29.35	5	40.7	371.0	150
15KP26A	15KP26CA	26.0	29.04	31.80	5	44.0	343.2	50
15KP28A	15KP28CA	28.0	31.28	34.24	5	47.5	317.9	25
15KP30A	15KP30CA	30.0	33.51	36.70	5	50.7	297.8	15
15KP33A	15KP33CA	33.0	36.90	40.40	5	54.7	276.1	2
15KP36A	15KP36CA	36.0	40.20	44.00	5	59.8	252.5	2
15KP40A	15KP40CA	40.0	44.70	48.90	5	65.8	229.5	2
15KP43A	15KP43CA	43.0	48.00	52.60	5	69.8	216.3	2
15KP45A	15KP45CA	45.0	50.30	55.00	5	72.8	207.4	2
15KP48A	15KP48CA	48.0	53.60	58.70	5	77.7	194.3	2
15KP51A	15KP51CA	51.0	57.00	62.40	5	82.9	182.1	2
15KP54A	15KP54CA	54.0	60.30	66.00	5	87.7	172.2	2
15KP58A	15KP58CA	58.0	64.80	70.90	5	93.8	161.0	2
15KP60A	15KP60CA	60.0	67.00	73.40	5	97.4	155.0	2
15KP64A	15KP64CA	64.0	71.50	78.30	5	104.2	144.9	2
15KP70A	15KP70CA	70.0	78.20	85.60	5	113.6	132.9	2
15KP75A	15KP75CA	75.0	83.80	91.70	5	122.0	123.8	2
15KP78A	15KP78CA	78.0	87.10	95.40	5	126.1	119.7	2
15KP85A	15KP85CA	85.0	94.90	104.00	5	137.6	109.7	2
15KP90A	15KP90CA	90.0	100.50	110.10	5	145.6	103.7	2
15KP100A	15KP100CA	100.0	111.70	122.30	5	161.3	93.6	2
15KP110A	15KP110CA	110.0	122.90	134.50	5	178.6	84.5	2
15KP120A	15KP120CA	120.0	134.00	146.80	5	192.3	78.5	2
15KP130A	15KP130CA	130.0	145.20	159.00	5	208.3	72.5	2
15KP150A	15KP150CA	150.0	167.60	183.50	5	241.9	62.4	2
15KP160A	15KP160CA	160.0	178.70	195.70	5	258.6	58.4	2
15KP170A	15KP170CA	170.0	189.90	207.90	5	272.7	55.4	2
15KP180A	15KP180CA	180.0	201.10	220.10	5	288.5	52.3	2
15KP200A	15KP200CA	200.0	223.40	244.60	5	319.1	47.3	2
15KP220A	15KP220CA	220.0	245.70	269.10	5	428.6	35.2	2
15KP240A	15KP240CA	240.0	268.10	293.50	5	384.6	39.3	2
15KP260A	15KP260CA	260.0	290.40	318.00	5	416.7	36.2	2
15KP280A	15KP280CA	280.0	312.80	342.40	5	454.5	33.2	2

*For bi-directional devices V_{RWM} ≤ 30V, the I_R limit is double.

MARKING INFORMATION

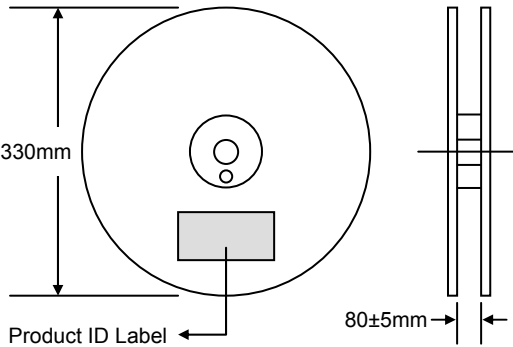


TAPING SPECIFICATIONS



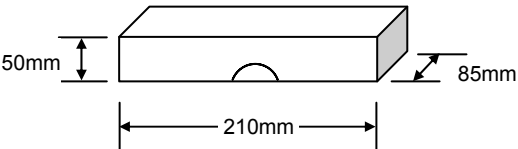
PACKAGING INFORMATION

TAPE & REEL



330mm
Product ID Label
80±5mm

BULK



50mm
210mm
85mm


Packaging	Reel Diameter / Box Size (mm)	Quantity (PCS)	Carton Size (mm)	Quantity (PCS)	Approx. Gross Weight (KG)
TAPE & REEL	330	800	370 x 370 x 420	4,000	12.0
BULK	210 x 85 x 50	250	500 x 255 x 275	7,000	17.0

Note: 1. Paper reel, white or gray color. Core material: plastic or metal.
2. Components are packed in accordance with EIA standard RS-296-E.

ORDERING INFORMATION

Product No.	Package Type	Shipping Quantity
15KPxx-T3	P-600	800/Tape & Reel
15KPxx	P-600	250 Units/Box

1. Products listed in **bold** are WTE **Preferred** Devices.
2. Shipping quantity given is for minimum packing quantity only. For minimum order quantity, please consult the Sales Department.
3. **To order RoHS / Lead Free version (with Lead Free finish), add "-LF" suffix to part number above. For example, 15KP17A-T3-LF.**

WON-TOP ELECTRONICS and  are registered trademarks of Won-Top Electronics Co., Ltd (WTE). WTE has checked all information carefully and believes it to be correct and accurate. However, WTE cannot assume any responsibility for inaccuracies. Furthermore, this information does not give the purchaser of semiconductor devices any license under patent rights to manufacturer. WTE reserves the right to change any or all information herein without further notice.

WARNING: DO NOT USE IN LIFE SUPPORT EQUIPMENT. WTE power semiconductor products are not authorized for use as critical components in life support devices or systems without the express written approval.

Won-Top Electronics Co., Ltd.
No. 44 Yu Kang North 3rd Road,
Chine Chen Dist., Kaohsiung 806, Taiwan
Phone: 886-7-822-5408 or 886-7-822-5410
Fax: 886-7-822-5417
Email: sales@wontop.com
Internet: <http://www.wontop.com>

We power your everyday.