

### 15000W Transient Voltage Suppressors


TVS Diodes - 15000W > 15KP Series



#### Description

The 15KP series is designed specifically to protect sensitive electronic equipment from voltage transients induced by lightning and other transient voltage events.

#### Features

- Plastic material has UL flammability classification 94V-O
- Typical IR less than 1uA above 12V
- Fast response time
- Glass passivated junction
- Low zener impedance • Excellent clamping capability
- Low inductance
- Agency recognition: 



Package: P600

#### Applications

- I/O interface
- AC/DC power supply
- Low frequency signal transmission line.

#### Electrical Characteristics

Parameter	Symbol	Value	Unit
Peak Pulse Power Dissipation at TA=25°C by 10 / 1000µs waveform (Fig.1)(Note 1)	PPPM	15000	W
Steady state power dissipation at TL=75°C (Fig.5)	PM(AV)	8	W
Peak Forward Surge Current, 8.3ms Single Half Sine Wave superimposed on rated load, (JEDEC Method) (Note2, Fig.6)	IFSM	400	A
Operating Junction and Storage Temperature Range	TJ, TSTG	-55 to 175	°C
Typical Thermal Resistance Junction to Lead	RθJL	15	°C/W
Typical Thermal Resistance Junction to Ambient	RθJA	75	°C/W

#### Notes:

1. Non-repetitive current pulse, per Fig.3 and derated above TA=25°C per Fig. 2.
2. 8.3ms single half sine-wave, or equivalent square wave, duty cycle=4 pulses per minutes maximum.

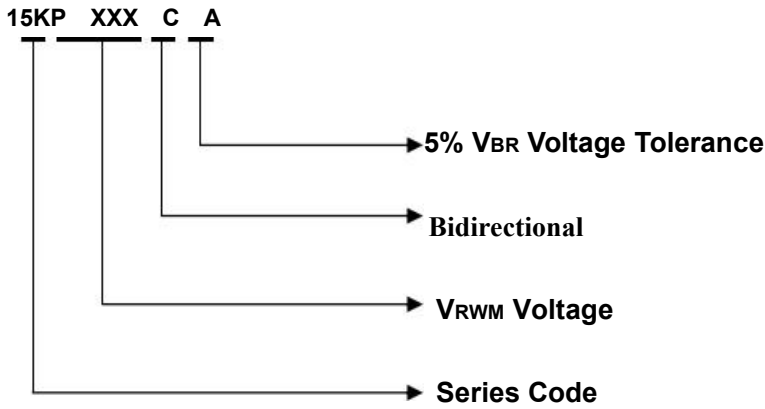
Electrical Characteristics (TA=25°C)

Part Number		Reverse Stand-Off Voltage	Breakdown Voltage $V_{BR}(V_{olts})@I_T$		Test Current	Maximum Clamping Voltage@ $I_{PP}$	Peak Pulse Current	Reverse Leakage @ $V_{RWM}$	Certification	Delivery Time
Uni-Polar	Bi-polar	$V_{RWM}(V)$	Min	Max	$I_T(mA)$	$V_C(V)$	$I_{PP}(A)$	$I_R(\mu A)$	UL	days
15KP17A	15KP17CA	17.0	18.9	20.9	5	29.3	515.4	5000	√	15days
15KP18A	15KP18CA	18.0	20.0	22.1	5	30.9	488.7	5000	√	15days
15KP20A	15KP20CA	20.0	22.2	24.5	5	34.3	440.2	1500	√	15days
15KP22A	15KP22CA	22.0	24.0	26.9	5	37.1	407.0	500	√	15days
15KP24A	15KP24CA	24.0	26.7	29.5	5	40.7	371.0	150	√	15days
15KP26A	15KP26CA	26.0	28.9	31.9	5	44.0	343.2	50	√	15days
15KP28A	15KP28CA	28.0	31.1	34.4	5	47.5	317.9	25	√	15days
15KP30A	15KP30CA	30.0	33.3	36.8	5	50.7	297.8	15	√	15days
15KP33A	15KP33CA	33.0	36.7	40.6	5	54.7	276.1	2	√	15days
15KP36A	15KP36CA	36.0	40.0	44.2	5	59.8	252.5	2	√	15days
15KP40A	15KP40CA	40.0	44.4	49.1	5	65.8	229.5	2	√	15days
15KP43A	15KP43CA	43.0	47.8	52.8	5	69.8	216.3	2	√	15days
15KP45A	15KP45CA	45.0	50.0	55.3	5	72.8	207.4	2	√	15days
15KP48A	15KP48CA	48.0	53.3	58.9	5	77.7	194.3	2	√	15days
15KP51A	15KP51CA	51.0	56.7	62.7	5	82.9	182.1	2	√	15days
15KP54A	15KP54CA	54.0	60.0	66.3	5	87.7	172.2	2	√	15days
15KP58A	15KP58CA	58.0	64.4	71.2	5	93.8	161.0	2	√	15days
15KP60A	15KP60CA	60.0	66.7	73.7	5	97.4	155.0	2	√	15days
15KP64A	15KP64CA	64.0	71.1	78.6	5	104.2	144.9	2	√	15days
15KP70A	15KP70CA	70.0	77.8	86.0	5	113.6	132.9	2	√	15days
15KP75A	15KP75CA	75.0	83.3	92.1	5	122.0	123.8	2	√	15days
15KP78A	15KP78CA	78.0	86.7	95.8	5	126.1	119.7	2	√	15days
15KP85A	15KP85CA	85.0	94.4	104	5	137.6	109.7	2	√	15days
15KP90A	15KP90CA	90.0	100	111	5	145.6	103.7	2	√	15days

Electrical Characteristics (TA=25°C)

Part Number		Reverse Stand-Off Voltage	Breakdown Voltage $V_{BR}$ (Volts)@ $I_T$		Test Current	Maximum Clamping Voltage@ $I_{PP}$	Peak Pulse Current	Reverse Leakage @ $V_{RWM}$	Certification	Delivery Time
Uni-Polar	Bi-polar	$V_{RWM}(V)$	Min	Max	$I_T(mA)$	$V_C(V)$	$I_{PP}(A)$	$IR(\mu A)$	UL	days
15KP100A	15KP100CA	100.0	110	123	5	161.3	93.6	2	√	15days
15KP110A	15KP110CA	110.0	122	135	5	178.6	84.5	2	√	15days
15KP120A	15KP120CA	120.0	133	147	5	192.3	78.5	2	√	15days
15KP130A	15KP130CA	130.0	144	159	5	208.3	72.5	2	√	15days
15KP150A	15KP150CA	150.0	167	185	5	241.9	62.4	2	√	15days
15KP160A	15KP160CA	160.0	178	197	5	258.6	58.4	2	√	15days
15KP170A	15KP170CA	170.0	189	209	5	272.7	55.4	2	√	15days
15KP180A	15KP180CA	180.0	200	221	5	288.5	52.3	2	√	15days
15KP200A	15KP200CA	200.0	222	246	5	319.1	47.3	2	√	15days
15KP220A	15KP220CA	220.0	244	270	5	352.5	42.8	2	√	15days
15KP240A	15KP240CA	240.0	268	292	5	384.6	39.3	2	√	15days
15KP260A	15KP260CA	260.0	289	317	5	416.7	36.2	2	√	15days
15KP280A	15KP280CA	280.0	311	341	5	454.5	33.2	2	√	15days

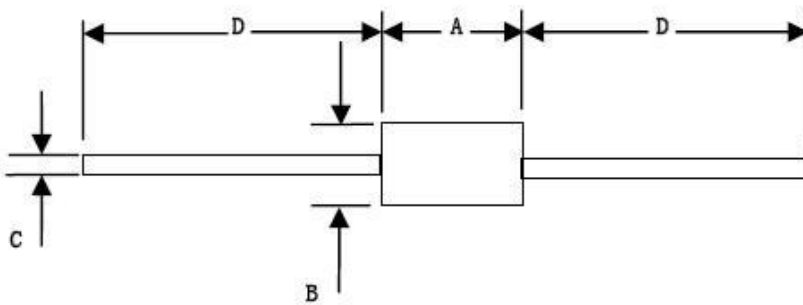
## Description of Part Number



## Packing Options

Package	Description	Packing Quantity	Industry Standard
P600	Tape and Reel Pack	300PCS	EIA STD RS-296

## Dimensions - P600



Dimension	Inches		Millimeters	
	Min	Max	Min	Max
A	0.34	0.36	8.60	9.10
B	0.34	0.36	8.60	9.10
C	0.048	0.052	1.22	1.32
D	1.000		25.4	