



Transient Voltage Suppression Diodes 15KP Series

Axial Type 15000 Watt Specifications

[Features](#) | [Absolute Maximum Ratings](#) | [Mechanical Dimensions](#) | [Standard Mounting Pad Layout](#) | [Electrical Characteristics](#)

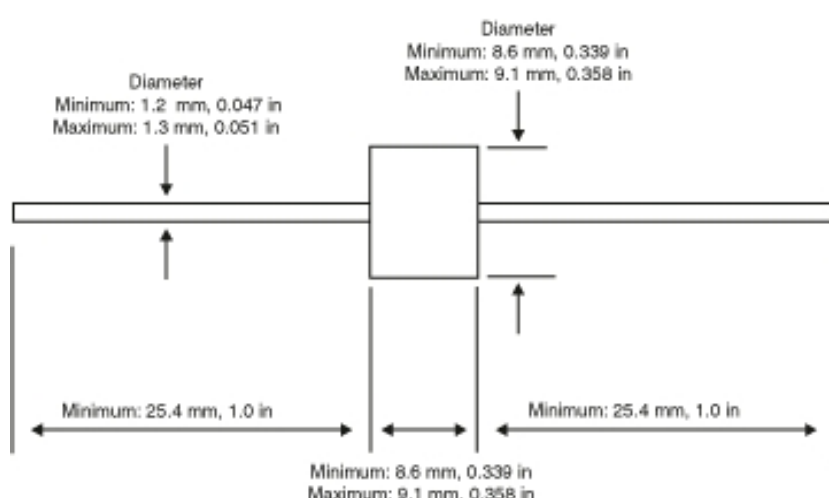
Features

- ? RoHS Compliant Standard
- ? Available in voltages from 30V to 200V
- ? Unidirectional and Bidirectional
- ? Glass passivated junction
- ? Low clamping factor
- ? Each device 100% surge tested
- ? Available in bulk or tape and reel (Reel quantity = 800 pieces)
- ? UL 497B Recognized, File # E135015
- ? Tape and Reel to EIA Standard RS-296-E

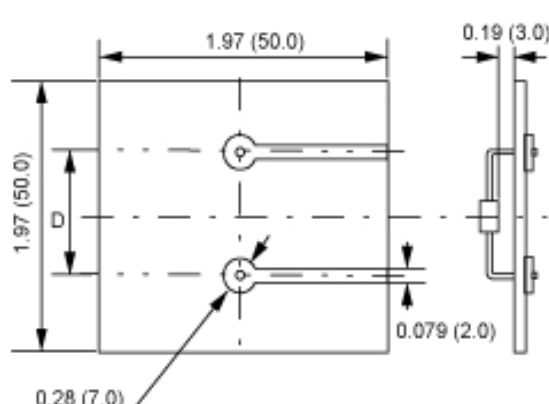
Absolute Maximum Ratings

Parameter	Value
Peak pulse power dissipation (P PPM) at 25°C	15000W
Steady state power dissipation at lead temperature = 75°C (Lead length 3/8" min.)	8W
Operating and storage temperatures	-55°C to +175°C

Mechanical Dimensions



Standard Mounting Pad Layout



NOTE: Dimension D
a.) 1.5KE (DO-201 Package) - 0.611 (15.5)
b.) 3KP / 5KP / 15KP (R-6 Package) - 0.673 (17.1)
Hole Diameter
a.) 0.059 (1.5)

All dimensions in inches and (millimeters)

Electrical Characteristics

Part Number*	Rated Standoff Voltage VWM	Breakdown Voltage		Maximum Stand By Current @ VWM+ID	10/1000µ s Maximum Clamping Voltage @ IPPM# VC Max	10/1000µ s Rated Peak Impulse Current I PPM#
		VBR (Volts)	@IT			
	(Volts)	Min	(mA)	(µ A)	(Volts)	(Amperes)
15KP30	30	33.3	5	15	56.2	267.0
15KP30A	30	33.3	5	15	50.7	296.0
15KP33	33	36.7	5	10	60.6	248.0
15KP33A	33	36.7	5	10	54.8	274.0
15KP36	36	40.0	5	10	66.0	227.0
15KP36A	36	40.0	5	10	59.7	251.0
15KP40	40	44.4	5	10	72.8	206.0
15KP40A	40	44.4	5	10	65.8	228.0
15KP43	43	47.8	5	10	77.1	195.0
15KP43A	43	47.8	5	10	69.7	215.0
15KP45	45	50.0	5	10	80.7	186.0
15KP45A	45	50.0	5	10	73.0	205.0
15KP48	48	53.3	5	10	85.9	175.0
15KP48A	48	53.3	5	10	77.7	193.0
15KP51	51	56.7	5	10	91.5	164.0
15KP51A	51	56.7	5	10	82.8	181.0
15KP54	54	60.0	5	10	96.8	155.0
15KP54A	54	60.0	5	10	87.5	171.0
15KP58	58	64.4	5	10	104.0	144.0
15KP58A	58	64.4	5	10	94.0	160.0
15KP60	60	66.7	5	10	107.0	140.0
15KP60A	60	66.7	5	10	97.3	154.0
15KP64	64	71.1	5	10	115.0	130.0
15KP64A	64	71.1	5	10	104.0	144.0
15KP70	70	77.8	5	10	126.0	119.0
15KP70A	70	77.8	5	10	114.0	132.0
15KP75	75	83.3	5	10	135.0	111.0
15KP75A	75	83.3	5	10	122.0	123.0
15KP78	78	86.7	5	10	140.0	107.0
15KP78A	78	86.7	5	10	126.0	119.0
15KP85	85	94.4	5	10	152.0	99.0
15KP85A	85	94.4	5	10	137.0	109.0
15KP90	90	100.0	5	10	160.0	94.0
15KP90A	90	100.0	5	10	146.0	103.0
15KP100	100	111.0	5	10	179.0	84.0
15KP110	110	122.0	5	10	196.0	77.0
15KP120	120	133.0	5	10	214.0	70.0
15KP130	130	144.0	5	10	231.0	65.0
15KP150	150	167.0	5	10	268.0	56.0
15KP160	160	178.0	5	10	287.0	52.0
15KP170	170	189.0	5	10	304.0	49.0
15KP180	180	200.0	5	10	321.0	47.0
15KP200	200	222.0	5	10	356.0	42.0

* = Add "C" or "CA" suffix for bidirectional device types.

= See General Information for Impulse Current Waveform

[Back to top](#)

[Back to TVS Diodes](#)

[Home](#)

World Products, LLC, 19654 8th St. East, Sonoma, CA 95476 USA
Phone: (707) 996 -5201 Fax: (707) 996 -3380 E-mail: sales@worldproducts.com