

Technical Data

DIODE



maximum ratings

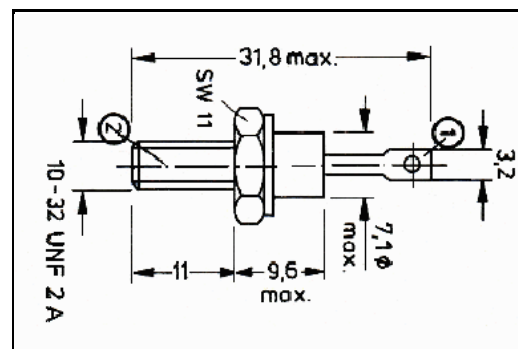
Voltage, Reverse (VR)	1200.0	V	NO.	16F120
Voltage, Reverse Peak (VRM)	1200.0	V	TYPE	SI - RECTIFIER
Current at VR = 0V (IO)		A		
Current Average Rectified (IF)	16.0	A		
Current Surge Peak (IFM)	80.0	A	CASE	DO-4_UNF
Current, Surge (IFM) at tp = 10 ms	300.0	A		CATHODE TO CASE
Max. Power Dissipation (PT) at TC = °C		W		
Max. Thermal Resistance (Rth J-C)	1.6	°C/W		
Max. Junction Temperature (TJ)	150.0	°C		

PERFORMANCE CHARACTERISTICS at $T_c = 25^\circ\text{C}$, unless otherwise noted

NO.	SYMBOL	CONDITIONS	MIN.	MAX.	UNITS
1.	IR	VR = 1200.0 V, TC = 125.0 °C	-	1.0	mA
2.	VF	IF = 16.0 A (1)	-	1.2	V
3.					
4.					
5.					
6.					
7.					
8.					
9.					
10.					
11.					
12.					
13.					
14.					
15.					
16.					
17.					
18.					
19.					
20.					

Notes (1) pulse-tested $t_p \leq 300 \mu\text{s}$, duty cycle $\leq 2\%$

DIMENSIONS
in mm



Marking 16F120
Customer GENERAL PURPOSE