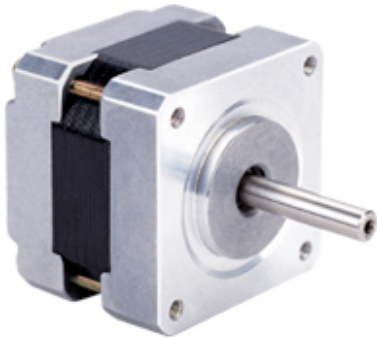
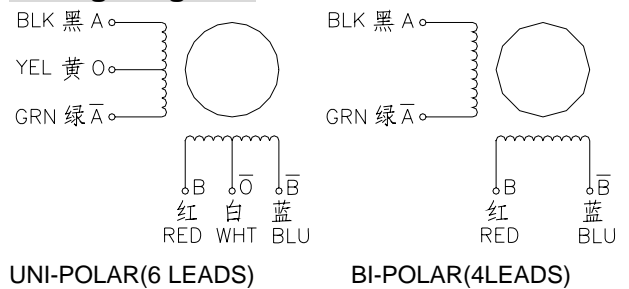
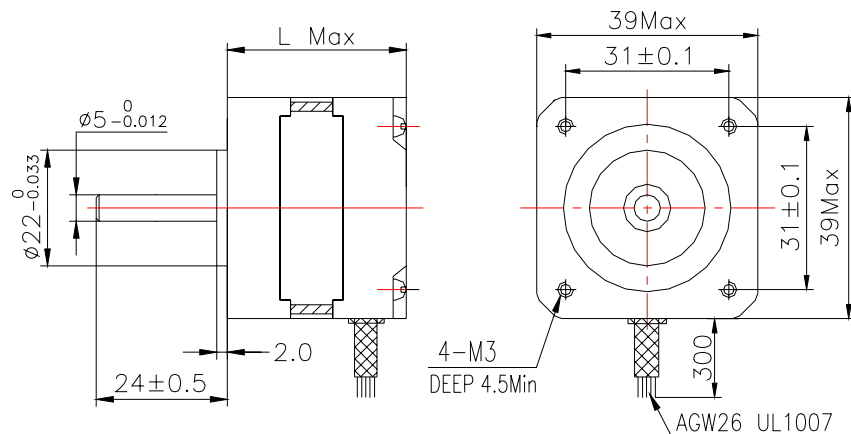


2 Phase Hybrid Stepper Motor 16HY series-Size 39mm(1.8 degree)


Wiring Diagram:

Electrical Specifications:

| Series Model | Step Angle (deg) | Motor Length (mm) | Rated Current (A) | Phase Resistance (ohm) | Phase Inductance (mH) | Holding Torque (N.cm Min) | Detent Torque (N.cm Max) | Rotor Inertia (g.cm ²) | Lead Wire (No.) | Motor Weight (g) |
|--------------|------------------|-------------------|-------------------|------------------------|-----------------------|---------------------------|--------------------------|------------------------------------|-----------------|------------------|
| 16HY0401 | 1.8 | 20 | 0.42 | 18 | 12 | 8 | 0.5 | 12 | 4 | 100 |
| 16HY2410 | 1.8 | 26 | 0.6 | 9 | 10 | 14 | 0.8 | 14 | 4 | 120 |
| 16HY3401 | 1.8 | 34 | 0.6 | 12 | 13 | 18 | 1.0 | 19 | 4 | 160 |
| 16HY3402 | 1.8 | 34 | 1.2 | 3.2 | 3.0 | 16 | 1.0 | 19 | 4 | 160 |
| 16HY3630 | 1.8 | 34 | 0.4 | 30 | 14 | 12 | 1.0 | 19 | 6 | 160 |
| 16HY4401 | 1.8 | 40 | 0.6 | 12 | 20 | 24 | 1.2 | 24 | 4 | 210 |
| 16HY4402 | 1.8 | 40 | 1.2 | 3.8 | 6.5 | 24 | 1.2 | 24 | 4 | 210 |
| 16HY4630 | 1.8 | 40 | 0.4 | 30 | 22 | 18 | 1.2 | 24 | 4 | 210 |

*Note: We can manufacture products according to customer's requirements.

Dimensions: unit=mm

Motor Length:

| Model | Length |
|----------|--------|
| 16HY0XXX | 20 mm |
| 16HY2XXX | 26 mm |
| 16HY3XXX | 34 mm |
| 16HY4XXX | 40 mm |