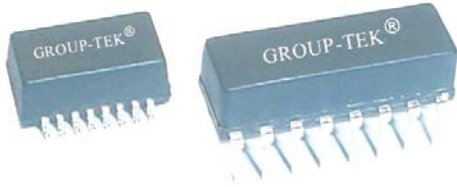


10BASE MODUES

LAN ISOLATION TRANSFORMER



FEATURES

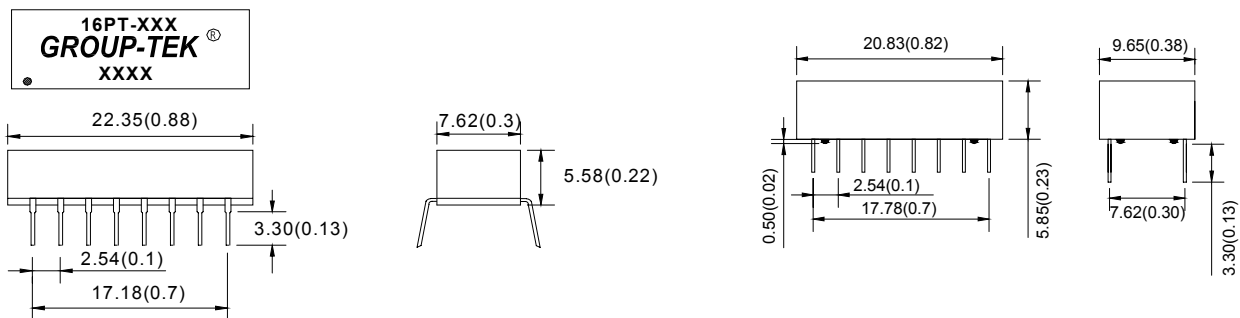
- Meet IEEE 802.3 requirements.
- Meet FCC class B approval.
- SMT pick & place available.

Electrical Specifications @25°C---Operating Temperature 0°C~70°C								
Part No.	Turn Ratio	Primary Inductance (uH) min.	Leakage Inductance (uH)max	Primary Capacitance (pF)max	DCR (ohm) max	Hi-Pot (Vrms)	ET Constant V-uS min	Package
16PT-04A	1:1	75	0.20	10	0.30	1,500	2.1	a
16PT-04S	1:1	75	0.20	10	0.30	1,500	2.1	c
16PT-05S	1:1	75	0.20	10	0.20	1,500	2.4	c
16PT-05B	1:1	100	0.20	10	0.30	500	2.1	b
16PT-06A	1:1	100	0.20	10	0.35	1,500	2.1	a
16PT-06S	1:1	100	0.20	10	0.35	1,500	2.1	c
16PT-07A	1:1	150	0.25	12	0.35	500	2.1	a
16PT-10B	1:1	75	0.20	10	0.30	1,500	2.3	b
16PT-11B	1:1	100	0.20	10	0.35	1,500	2.3	b
16PT-12B	1:1	150	0.25	10	0.35	1,500	2.3	b
16PT-13A	1:1	250	0.20	12	0.35	1,500	2.3	a
16PT-13S	1:1	250	0.20	12	0.35	1,500	2.3	c

Dimension: mm(inch)+/-0.25(0.01)

a

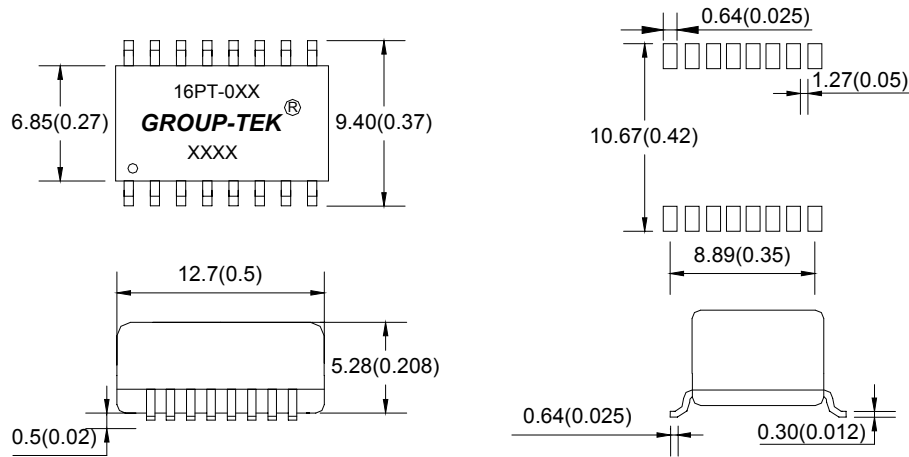
b



LAN ISOLATION TRANSFORMER

Dimension: mm(inch)+/-0.25(0.01)

C



Schematic

