

10BASE MODUES

10BASE-T COUPLING TRANSFORMER



FEATURES

- Meet IEEE 802.3 requirements.
- Meet FCC class B approval.
- SMT pick & place available.

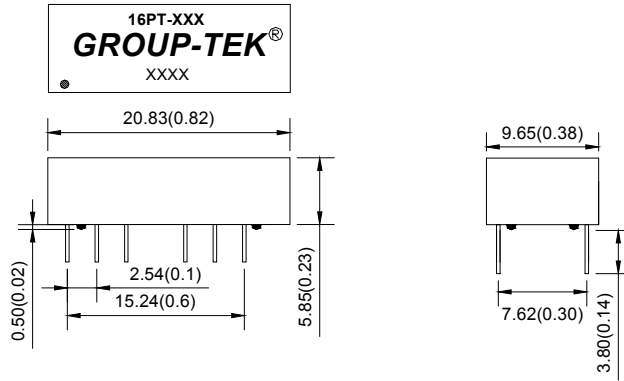
Electrical Specifications @25°C---Operating Temperature 0°C~70°C

Part No.	Primary Inductance (uH) min.	Leakage Inductance (uH) max	Primary Capacitance (pF) max	DCR (ohm) max	Hi-Pot Vrms	Turn Ratio	Package	Schematic
16PT-21D	140	0.20	12	0.30	1,500	1:1/1:1	a	A
16PT-21S	140	0.20	12	0.30	1,500	1:1/1:1	b	A
16PT-22D	140	0.20	12	0.30	1,500	1:1/1:1	a	B
16PT-22S	140	0.20	12	0.30	1,500	1:1/1:1	b	C
16PT-23D	140	0.20	12	0.30	1,500	2:1/1:1	a	B
16PT-23S	140	0.20	12	0.30	1,500	2:1/1:1	b	B
16PT-24D	75	0.20	10	0.20	1,500	1:1/1:1	b	H
16PT-24S	75	0.20	10	0.20	1,500	1:1/1:1	b	A
16PT-25S	75	0.20	10	0.20	1,500	1:1/1:1	b	D
16PT-26S	50/200	0.20	12	0.35	1,500	1:2/1:1	b	D
16PT-27D	50/200	0.20	12	0.35	1,500	1:2/1:1	a	D
16PT-28S	140	0.20	12	0.30	1,500	1:1/1:1.414	b	A
16PT-29S	140	0.20	12	0.30	1,500	1:1/1:1.414	b	B
16PT-30S	140	0.30	12	0.60	1,500	1CT:2CT/1CT:1CT	b	A
16PT-31S	200	0.30	12	1.0	1,500	1CT:2CT/1CT:1CT	b	F
16PT-32S	112	0.3	8	0.8	1,500	1CT:2CT/1CT:1CT	b	E
16PT-33S	140	0.2	12	0.6	2,000	1CT:2CT/1CT:1CT	b	G
16PT-34S	200	0.5	15	0.4	1,500	1CT:2.5CT/1CT:1CT(±5%)	b	H
16PT-35S	200	0.6	12	0.5	1,500	1CT:2CT/1CT:1CT(±5%)	b	H
16PT-36S	140	0.6	12	0.2	1,500	1CT:2CT/1CT:1CT(±5%)	b	H
16PT-37S	200	0.50	12	0.6	1,500	1CT:1.414CT/1CT:1CT(±5%)	b	G
16PT-38S	140	0.20	12	0.30	1,500	1CT:1CT/1CT:1CT	b	I
16PT-39S	140	0.20	12	0.30	1,500	1CT:1CT/1CT:1CT	b	G
16PT-40S	200	0.3	18	0.30	1,500	1CT:1CT/1CT:2CT	b	H
16PT-41S	200	0.3	18	0.30	1,500	1CT:1CT/1CT:2CT	b	J
16PT-42D	100	0.3	9	0.30	1,500	1CT:1CT/1CT:1CT	c	B
16PT-43S	120/20	0.4	9	0.90	1,500	1CT:1CT/1CT:2CT(±5%)	b	K

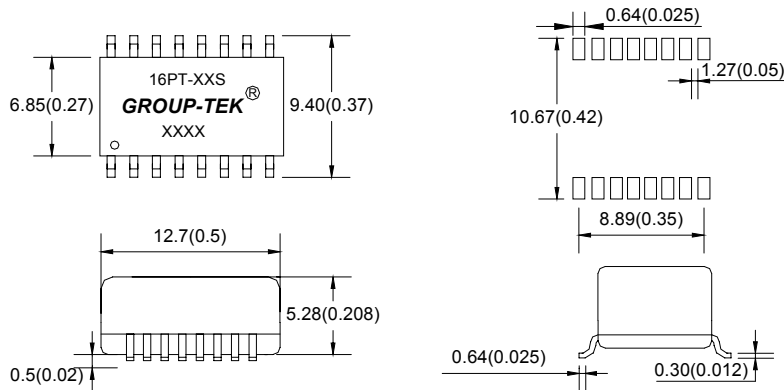
10BASE-T COUPLING TRANSFORMER

Dimension: mm(inch)+/-0.25(0.01)

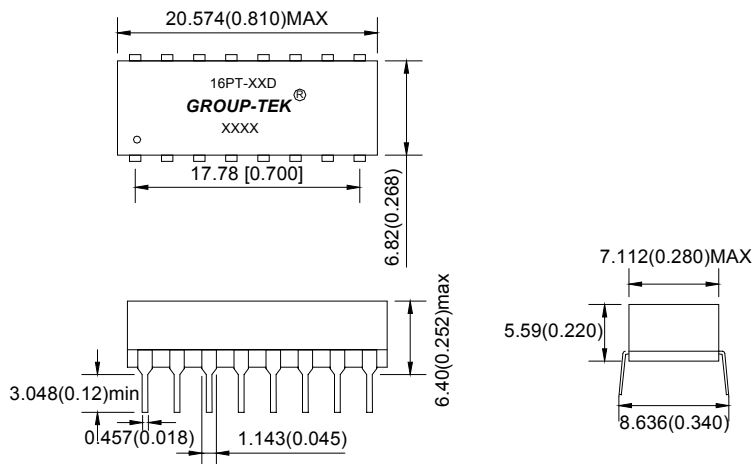
a



b



c

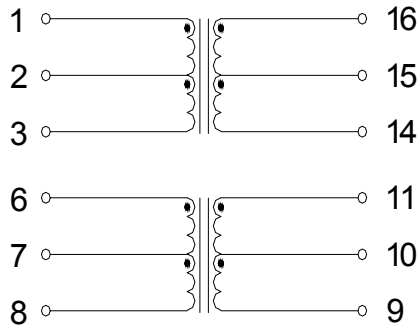


10BASE MODUES

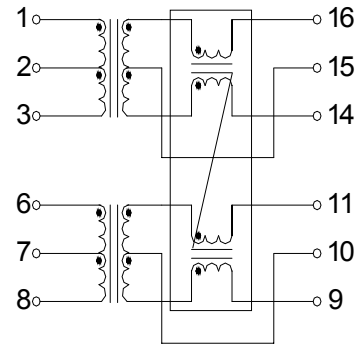
10BASE-T COUPLING TRANSFORMER

Schematic

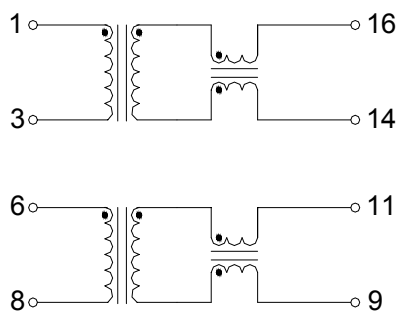
A



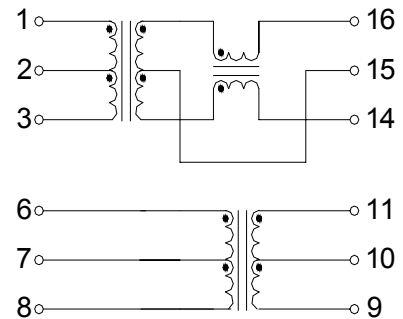
B



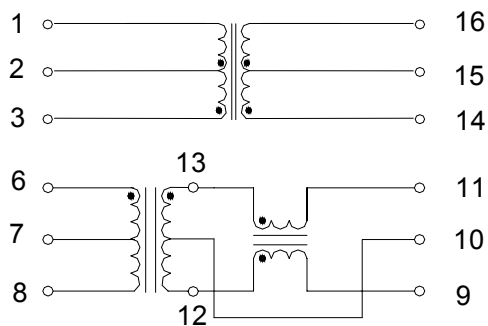
C



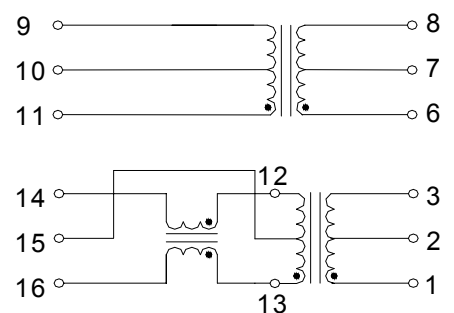
D



E



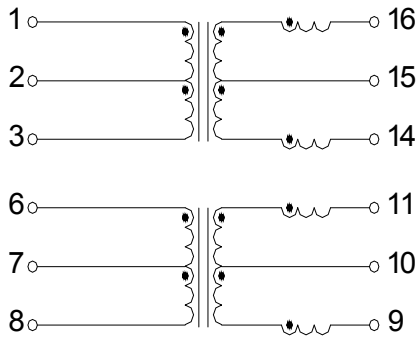
F



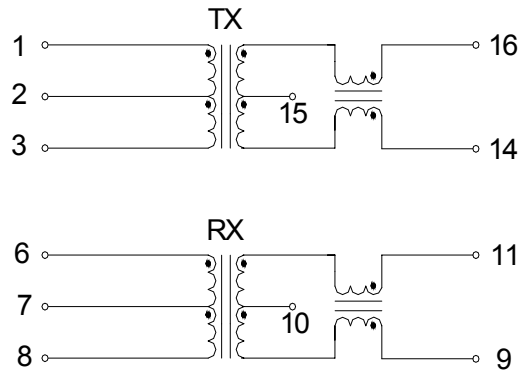
10BASE-T COUPLING TRANSFORMER

Schematic

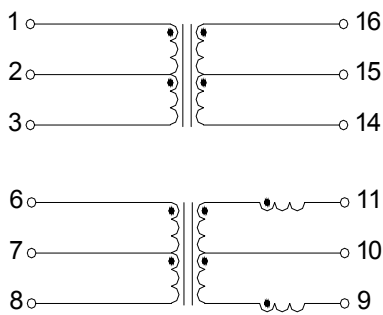
G



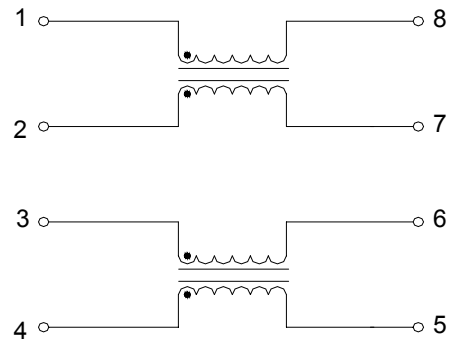
H



I



J



K

