

# 10/100 BASE-T TRANSFORMER

## P/N:16PT8515 DATA SHEET

### A.GENERAL SPECIFICATIONS:

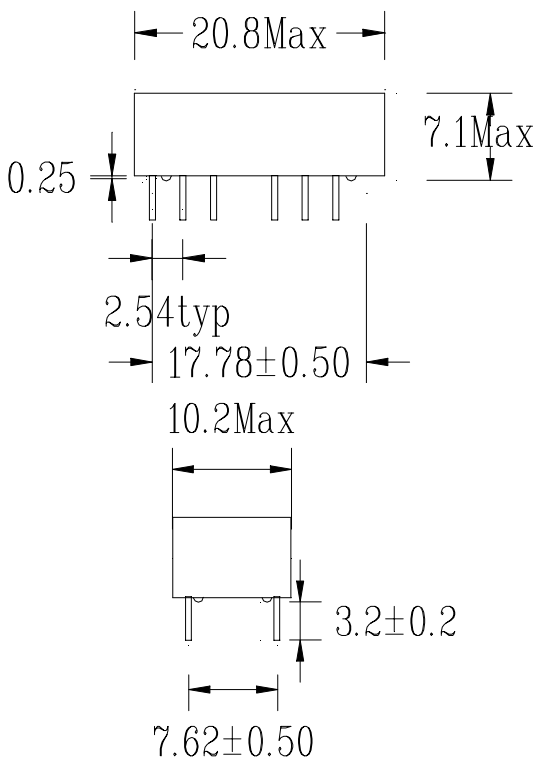
- 1.DESIGNED FOR 10/100 MB/s TRANSMISSION OVER UTP-5 CABLE.
- 2.TESTED & QUALIFIED FOR USE WITH NATIONAL SEMICONDUCTOR'S DP83840 ETHERNET 10/100 PHY CHIP.
- 3.CABLE INTERFACE FOR ISOLATION AND LOW COMMON MODE EMISSIONS.
- 4.16-PIN DIP PACKAGE FOR ECONOMIC COST.
- 5.OPERATING TEMP RANGE:0°C TO +70°C.
- 6.STORAGE TEMP RANGE:-25 °C TO +125 °C.

### B.ELECTRICAL SPECIFICATIONS:@ 25°C.

- 1 . TURN RATIO : 1CT:1CT
- 2.INSERTION LOSS 0.1 TO 125 MHz (dB MAX.)-1.1
- 3.RISE TIME:(nS TYP)(10-90%):2.5 nS.
- 4.RETURN LOSS: 0.1MHz-10MHz -20 dB Max ;10MHz-30MHz -19 dB Max  
30MHz-60MHz -14 dB Max ;60MHz-100 MHz -12 dB Max
- 5.DIFFERENTIAL TO COMMON MODE REJECTION(dB MIN.):  

FREQUENCY	TX	RX
0.1-60 MHz	-42	-40
60-100 MHz	-40	-35
- 6.CROSS TALK(dB MAX.): 0.1-60 MHz -40  
60-100 MHz -38
- 7.VOLTAGE ISOLATION(Vrms MIN.):1500

### C. SCHEMATIC & DIMENSIONS & MARKING(UNIT mm):



PIN 1 DOT

PIN 4,8,9,13 CUT OFF

