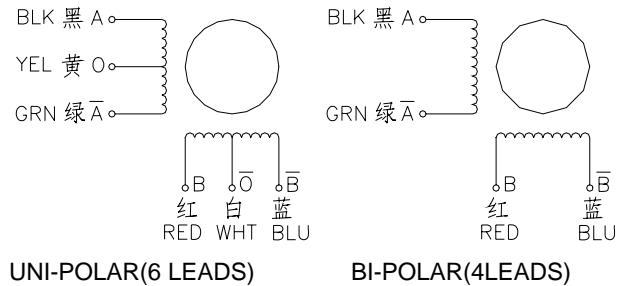
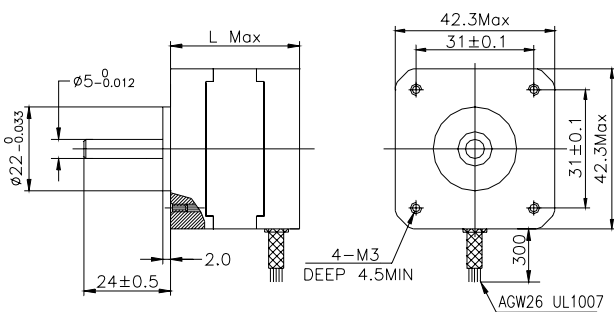


2 Phase Hybrid Stepper Motor 17HK series-Size 42mm(0.9 degree)


Wiring Diagram:

Electrical Specifications:

Series Model	Step Angle (deg)	Motor Length (mm)	Rated Current (A)	Phase Resistance (ohm)	Phase Inductance (mH)	Holding Torque (N.cm Min)	Detent Torque (N.cm Max)	Rotor Inertia (g.cm ²)	Lead Wire (No.)	Motor Weight (g)
17HK2408	0.9	28	0.6	9	9	10	0.9	20	4	130
17HK3401	0.9	34	1.3	2.4	3.6	24	1.2	34	4	220
17HK3410	0.9	34	1.7	1.2	2.2	24	1.2	34	4	220
17HK3430	0.9	34	0.4	30	45	24	1.2	34	4	220
17HK3630	0.9	34	0.4	30	22	20	1.2	34	6	220
17HK3616	0.9	34	0.16	75	54	12	1.2	34	6	220
17HK4401	0.9	40	1.7	1.5	3.8	36	1.8	54	4	280
17HK4402	0.9	40	1.3	2.5	6.2	36	1.8	54	4	280
17HK4602	0.9	40	1.2	3.2	3.8	26	1.8	54	6	280
17HK4630	0.9	40	0.4	30	34	26	1.8	54	6	280
17HK8401	0.9	48	1.7	1.8	4.0	42	2.2	68	4	350
17HK8402	0.9	48	1.3	3.0	7.0	36	2.2	68	4	350
17HK8403	0.9	48	2.3	1.2	2.0	42	2.2	68	4	350
17HK8630	0.9	48	0.4	30	28	27	2.2	68	6	350

*Note: We can manufacture products according to customer's requirements.

Dimensions: unit=mm

Motor Length:

Model	Length
17HK2XXX	28 mm
17HK3XXX	34 mm
17HK4XXX	40 mm
17HK8XXX	48 mm