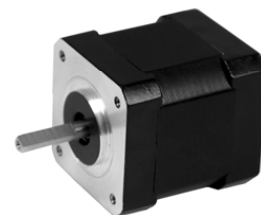
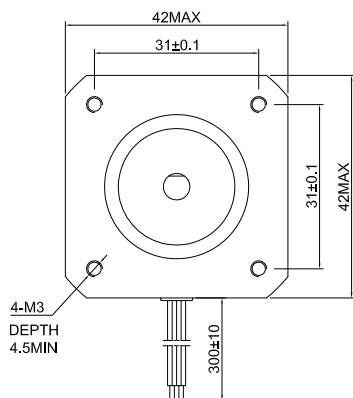
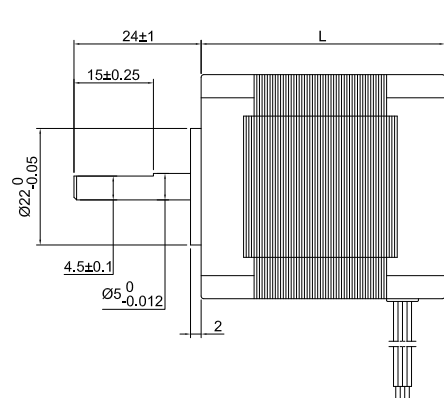


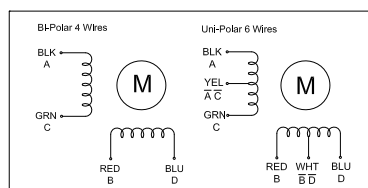
42.3mm(1.67in.)

Step Angle 1.8° 17HS High-Torque Type

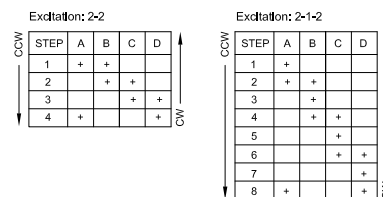
Dimension Unit = mm(in.)



Wiring Diagram



Excitation Sequence



Specifications

Model	Torque		Voltage	Current	Resistance	Inductance	Inertia	Bi/Unipolar	Weight	Length "L"	
	Ncm	oz.in	V/Phase	A/Phase	Ohm/Phase	mH/Phase	g.cm ²	# of Leads	Kg	mm	in
17HS08-1004S	13	18.4	3.5	1	3.5	4.5	15	Bi (4)	0.15	20	0.79
17HS13-0316S	16	22.7	12	0.31	38.5	21	35	Uni (6)	0.22	33	1.30
17HS13-0406S	16	22.7	9.6	0.4	24	15	35	Uni (6)	0.22	33	1.30
17HS13-0956S	16	22.7	4	0.95	4.2	2.5	35	Uni (6)	0.22	33	1.30
17HS13-1334S	22	31.2	2.8	1.33	2.1	2.5	35	Bi (4)	0.22	33	1.30
17HS13-1504S	23	32.6	1.65	1.5	1.1	1.6	35	Bi (4)	0.22	33	1.30
17HS13-0404S	26	36.8	12	0.4	30	37	35	Bi (4)	0.22	33	1.30
17HS13-0844S	28	39.7	4.83	0.84	5.75	9.3	35	Bi (4)	0.22	33	1.30
17HS15-0406S	26	36.8	12	0.4	30	30	54	Uni (6)	0.28	39	1.54
17HS15-0806S	26	36.8	6	0.8	7.5	6.7	54	Uni (6)	0.28	39	1.54
17HS15-1206S	26	36.8	4	1.2	3.3	3.2	54	Uni (6)	0.28	39	1.54
17HS15-0854S	36	51.0	5.4	0.85	6.3	10	54	Bi (4)	0.28	39	1.54
17HS15-1684S	36	51.0	2.8	1.68	1.65	3.2	54	Bi (4)	0.28	39	1.54
17HS15-0404S	40	56.6	12	0.4	30	58	54	Bi (4)	0.24	39	1.54
17HS16-2004S	45	63.7	2.2	2	1.1	2.6	54	Bi (4)	0.24	40	1.57
17HS19-0406S	32	45.3	12	0.4	30	25	68	Uni (6)	0.35	47	1.85
17HS19-0806S	32	45.3	6	0.8	7.5	6.3	68	Uni (6)	0.35	47	1.85
17HS19-1206S	32	45.3	4	1.2	3.3	2.8	68	Uni (6)	0.35	47	1.85
17HS19-1684S	44	62.3	2.8	1.68	1.65	2.8	68	Bi (4)	0.35	47	1.85
17HS19-0854S	44	62.3	5.3	0.85	6.2	11	68	Bi (4)	0.35	47	1.85
17HS19-2004S	59	83.6	2.8	2	1.4	3	68	Bi (4)	0.4	48	1.89
17HS20-0854S	55	77.9	8	0.85	9.3	20	72	Bi (4)	0.42	52	2.05
17HS24-0644S	60	85.0	10	0.64	15	13.2	82	Bi (4)	0.45	60	2.36
17HS24-1206S	65	92.0	7.2	1.2	6	7	82	Uni (6)	0.45	60	2.36
17HS24-2104S	65	92.0	3.4	2.1	1.6	3	82	Bi (4)	0.45	60	2.36

* Specifv -S for Single Shaft: -D for Double Shaft * All motor's specifications are based on full-step constant current operation