



18N40

Power MOSFET

400V N-CHANNEL POWER MOSFET

DESCRIPTION

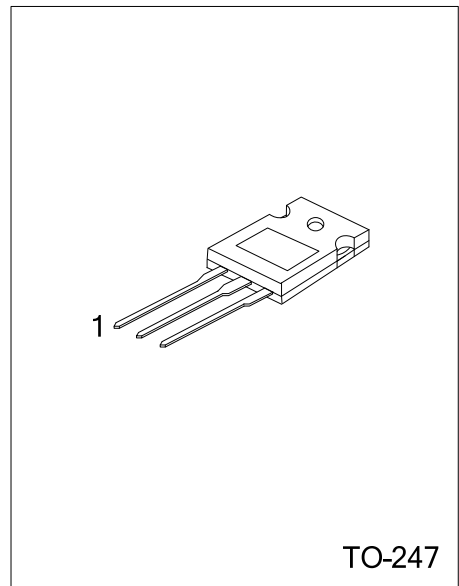
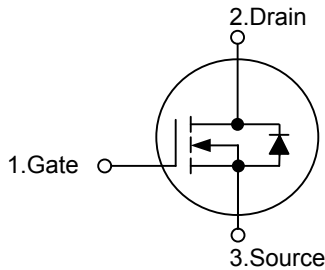
The UTC **18N40** is a 400V N-channel Power MOSFET, providing customers with perfect $R_{DS(ON)}$, low gate charge and operation with low gate voltages.

The UTC **18N40** is generally used as a load switch or applied in PWM applications.

FEATURES

- * $R_{DS(ON)} \leq 408m\Omega @ V_{GS} = 10V$
- * Ultra Low Gate Charge: 50nC (TYP.)
- * Low Reverse Transfer ($C_{RSS} = \text{typical } 23pF$)
- * Fast Switching Speed
- * Avalanche Energy Specified
- * Improved dv/dt Capability, High Ruggedness

SYMBOL



ORDERING INFORMATION

Ordering Number		Package	Pin Assignment			Packing
Lead Free	Halogen-Free		1	2	3	
18N40L-T47-T	18N40G-T47-T	TO-247	G	D	S	Tube

<p>18N40G-T47-T</p> <p>(1)Packing Type</p> <p>(2)Package Type</p> <p>(3)Halogen Free</p>	<p>(1) T: Tube</p> <p>(2) T47: TO-247</p> <p>(3) G: Halogen Free</p>
--	--

■ ABSOLUTE MAXIMUM RATINGS (T_C =25°C, unless otherwise specified)

PARAMETER	SYMBOL	RATINGS	UNIT
Drain-Source Voltage	V _{DSS}	400	V
Gate-Source Voltage	V _{GSS}	±30	V
Drain Current	Continuous	I _D	18
	Pulsed	I _{DM}	45
Avalanche Current	I _{AR}	18	A
Avalanche Energy	Single Pulsed	E _{AS}	1000
	Repetitive	E _{AR}	30
Peak Diode Recovery dv/dt	dv/dt	10	V/ns
Power Dissipation	P _D	360	W
Junction Temperature	T _J	150	°C
Storage Temperature	T _{STG}	-55 ~ +150	°C

Note: Absolute maximum ratings are those values beyond which the device could be permanently damaged.

Absolute maximum ratings are stress ratings only and functional device operation is not implied.

■ THERMAL DATA

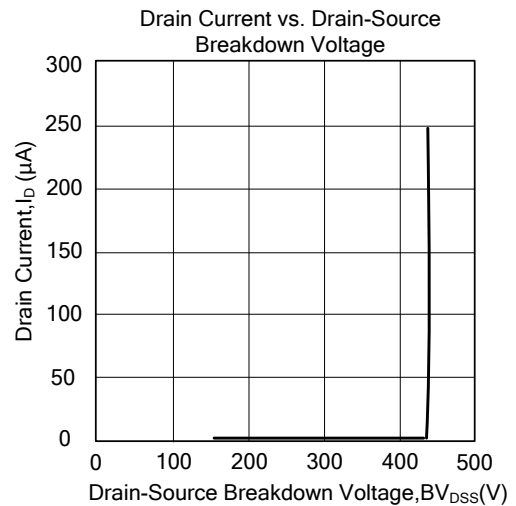
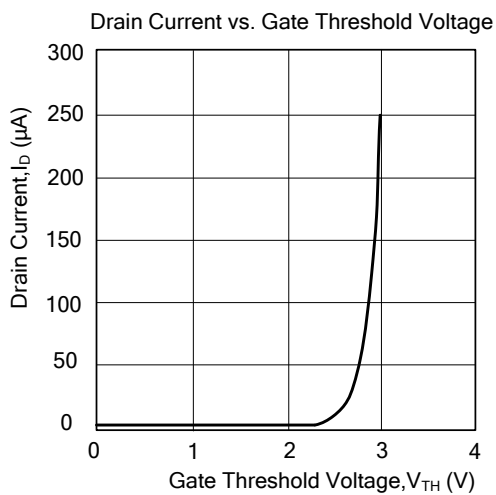
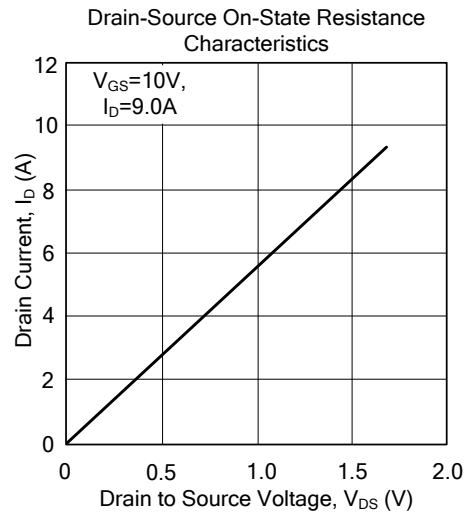
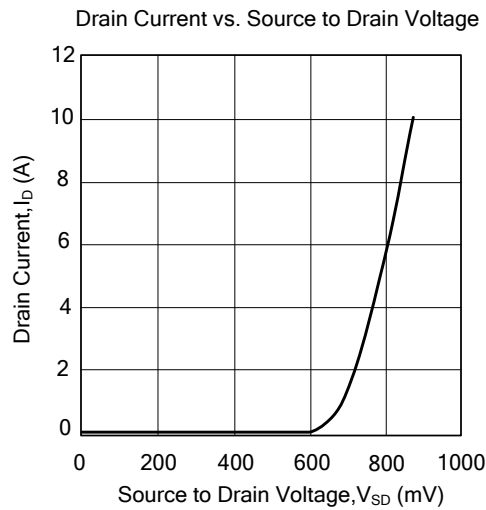
PARAMETER	SYMBOL	RATINGS	UNIT
Junction to Case	θ _{JC}	0.35	°C/W

■ ELECTRICAL CHARACTERISTICS (T_J =25°C, unless otherwise specified)

PARAMETER	SYMBOL	TEST CONDITIONS	MIN	TYP	MAX	UNIT
OFF CHARACTERISTICS						
Drain-Source Breakdown Voltage	BV _{DSS}	V _{GS} =0V, I _D =250μA	400			V
Drain-Source Leakage Current	I _{DSS}	V _{DS} =400V, V _{GS} =0V			25	μA
Gate-Body Leakage Current	I _{GSS}	V _{DS} =0V, V _{GS} =±30V			±100	nA
ON CHARACTERISTICS						
Gate Threshold Voltage	V _{GS(TH)}	V _{DS} =V _{GS} , I _D =250μA	2.0		4.0	V
Static Drain-Source On-Resistance	R _{DSON}	V _{GS} =10V, I _D =9A (Note)			200	mΩ
DYNAMIC PARAMETERS						
Input Capacitance	C _{ISS}	V _{DS} =25V, V _{GS} =0V, f=1MHz		2500		pF
Output Capacitance	C _{OSS}			280		pF
Reverse Transfer Capacitance	C _{RSS}			23		pF
SWITCHING PARAMETERS						
Total Gate Charge	Q _G	V _{GS} =10V, V _{DS} =0.5V _{DSS} , I _D =18A, R _G =5Ω (External)		50		nC
Gate Source Charge	Q _{GS}			15		nC
Gate Drain Charge	Q _{GD}			18		nC
Turn-ON Delay Time	t _{D(ON)}	V _{GS} =10V, V _{DS} =0.5V _{DSS} , I _D =9A		21		ns
Turn-ON Rise Time	t _R			22		ns
Turn-OFF Delay Time	t _{D(OFF)}			62		ns
Turn-OFF Fall-Time	t _F			22		ns
SOURCE- DRAIN DIODE RATINGS AND CHARACTERISTICS						
Drain-Source Diode Forward Voltage	V _{SD}	I _F =I _S , V _{GS} =0V (Note)			1.5	V
Maximum Continuous Drain-Source Diode Forward Current	I _S	V _{GS} =0V			18	A
Maximum Pulsed Drain-Source Diode Forward Current	I _{SM}	Repetitive			54	A
Reverse Recovery Time	t _{RR}	V _{GS} =0V, dI _F /dt=100A/μs,			200	ns
Reverse Recovery Charge	Q _{RR}	I _S =18A, V _R =100V		0.8		μC

Note: Pulse Test: Pulse Width ≤ 300μs, Duty Cycle ≤ 2%.

TYPICAL CHARACTERISTICS



UTC assumes no responsibility for equipment failures that result from using products at values that exceed, even momentarily, rated values (such as maximum ratings, operating condition ranges, or other parameters) listed in products specifications of any and all UTC products described or contained herein. UTC products are not designed for use in life support appliances, devices or systems where malfunction of these products can be reasonably expected to result in personal injury. Reproduction in whole or in part is prohibited without the prior written consent of the copyright owner. The information presented in this document does not form part of any quotation or contract, is believed to be accurate and reliable and may be changed without notice.