

10 WATT ZENER DIODE 1N2973- 1N3015

FEATURES

- Voltage range from 9.1V to 200V.
- Low Zener Impedance
- Available in normal polarity or reverse.
- DO5/DO4 Package
- 1N2973 to 1N3015

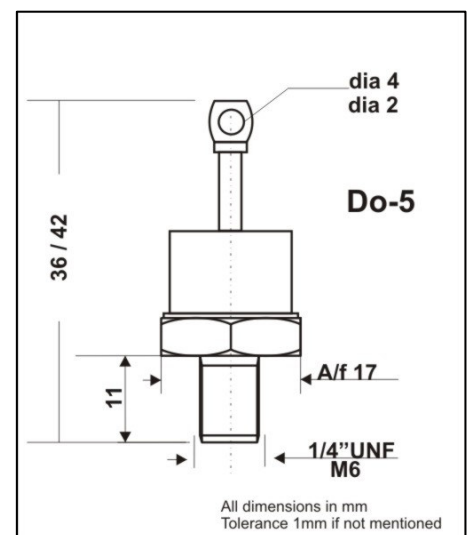
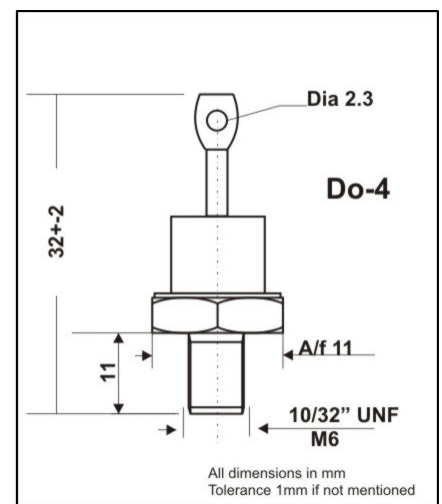
ABSOLUTE MAXIMUM RATING

Storage temperature range
 Max Case operating temperature
 Max junction temperature
 Power Dissipation
 Power derating (derat above 75 °C)
 Forward voltage (@ 2A)

: -65 °C to 150 °C
 : -65 °C to 150 °C
 : 150 °C
 : 10 W
 : 0.5 mw/°C
 : 1.5V

ELECTRICAL CHARACTERISTICS @ case temperature 30 °C

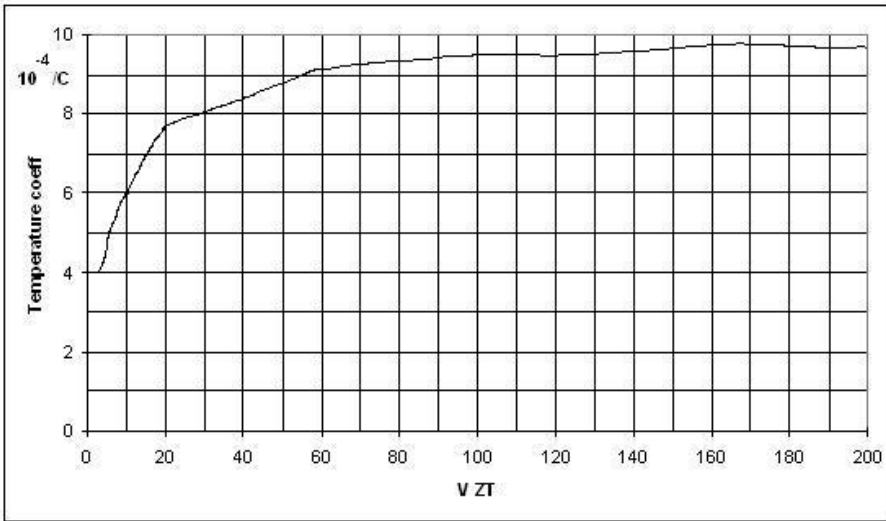
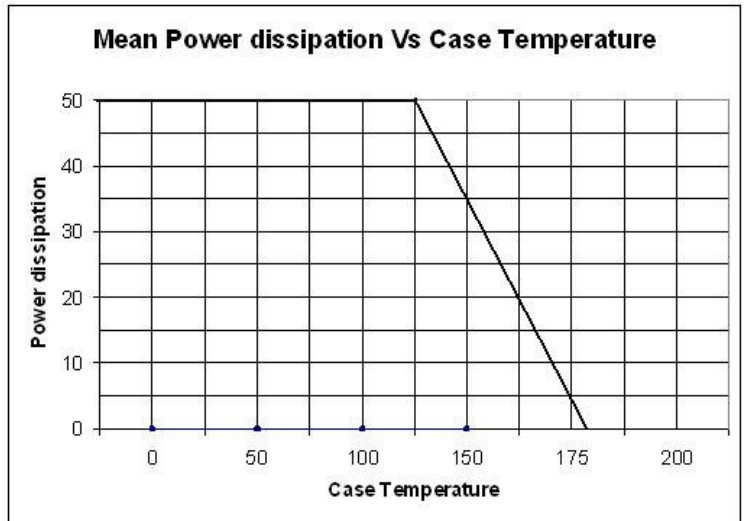
Nom V _{ZT} (V)	Type Number	SPE Type	I _{ZT} (mA)	R _{ZT} max	I _R (uA)	V _R (V)	I _{ZM} (mA)
9.1	1N2973	10Z9	275	0.5	25	6.82	1000
10	1N2974	10Z10	250	0.6	25	7.50	940
11	1N2975	10Z11	230	0.8	10	8.025	880
12	1N2976	10Z12	210	1	10	9.00	790
13	1N2977	10Z13	190	1.1	10	9.75	710
14	1N2978	10Z14	180	1.4	10	10.50	680
15	1N2979	10Z15	170	1.6	10	11.25	640
16	1N2980	10Z16	155	2	10	12.00	590
18	1N2982	10Z18	140	2.4	10	13.50	520
20	1N2984	10Z20	125	2.5	10	15.00	470
22	1N2985	10Z22	115	2.6	10	16.50	430
24	1N2986	10Z24	105	2.8	10	18.00	390
27	1N2988	10Z27	95	3	10	20.25	350
30	1N2989	10Z30	85	3.2	10	22.50	310
33	1N2990	10Z33	75	3.5	10	24.75	290
36	1N2991	10Z36	70	4	10	27.00	260
39	1N2992	10Z39	65	4.5	10	27.00	240
43	1N2993	10Z43	60	5	10	29.25	220
47	1N2995	10Z47	55	5.2	10	35.25	200
51	1N2997	10Z51	50	6	10	38.25	190
56	1N2999	10Z56	45	7	10	42.00	170
62	1N3000	10Z62	40	8	10	46.50	150
68	1N3001	10Z68	37	9	10	51.00	140
75	1N3002	10Z75	33	11	10	56.25	130
82	1N3003	10Z82	30	15	10	61.50	120
91	1N3004	10Z91	28	20	10	68.25	100
100	1N3005	10Z100	25	30	10	75.00	94
110	1N3007	10Z110	23	40	10	82.50	86
120	1N3008	10Z120	20	50	10	90.00	79
130	1N3009	10Z130	19	75	10	97.50	71
140	1N3010	10Z140	18	80	10	105.00	68
150	1N3011	10Z150	17	85	10	112.50	64
160	1N3012	10Z160	16	80	10	120.00	59
180	1N3014	10Z180	14	98	10	135.00	52
200	1N3015	10Z200	12	100	10	150.00	47



V_{ZT} : Continuous reverse Voltage
 I_{ZT} : Regulating voltage test current
 I_R : Reverse current at specified V_R
 R_{ZT} : Differential resistance at I_{ZT}
 I_{ZM} : Max DC Zener current

Note:

Normal polarity indicated anode to case.
 When using Jedec standards suffix R denotes reverse polarity (cathode to case). Suffix A and B denote tolerance of 10% and 5%. No suffix indicated tolerance of 20%.



Temperature coefficient VS Zener voltage

