

Technical Data

DIODE

maximum ratings

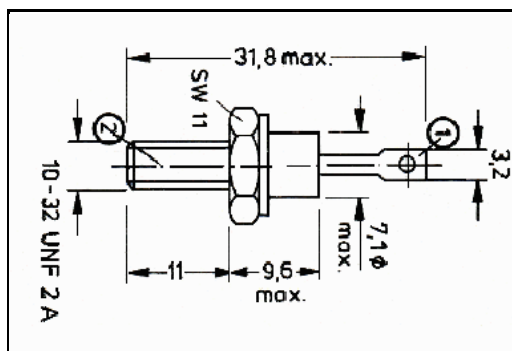
Voltage, Reverse (VZ)	130.0	V	NO.	1N3009B
Voltage, Reverse Peak (VRM)		V	TYPE	10W-ZENER
Current at VR = OV (IO)		A		
Current Average Rectified (IF)	2.0	A		
Current Surge Peak (IZM)	0.062	A	CASE	DO-4_UNF
Current, Surge (IFM) at tp =		A		ANODE TO CASE
Max. Power Dissipation (PT) at TC = 55 °C	10.0	W		
Max. Thermal Resistance (Rth J-C)	12.0	°C/W		
Max. Junction Temperature (TJ)	175.0	°C		

PERFORMANCE CHARACTERISTICS at T_c = 25°C, unless otherwise noted

NO.	SYMBOL	CONDITIONS	MIN.	MAX.	UNITS
1.	VZ	IZ = 19.0 mA, tp = 100.0 µs, dc = 0.1 %	123.5	136.5	V
2.	RZ	IZ = 19.0 mA, ΔIZ = 10.0 % IZ, f = 1.0 kHz	-	100.0	Ω
3.	RZ	IZ = 1.0 mA	-	1.3	kΩ
4.	IR	VR = 98.8 V	-	5.0	µA
5.	VF	IF = 2.0 A (1)	-	1.5	V
6.					
7.					
8.					
9.					
10.					
11.					
12.					
13.					
14.					
15.					
16.					
17.					
18.					
19.					
20.					

Notes (1) pulse-tested tp ≤ 300 µs, duty cycle ≤ 2 %

DIMENSIONS in mm



Marking	1N3009B
Customer	GENERAL PURPOSE