

Technical Data

DIODE



maximum ratings

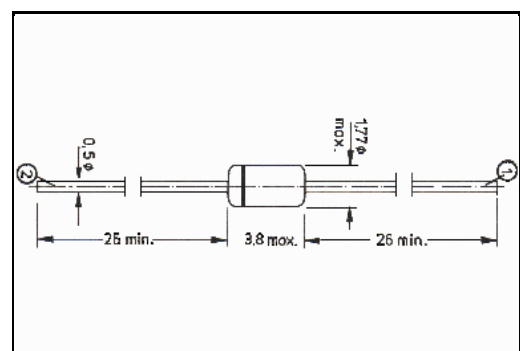
Voltage, Reverse (VZ)	8.4	V	NO.	1N3155A
Voltage, Reverse Peak (VRM)		V	TYPE	REF - DIODE
Current at VR = 0V (IO)		A		TOL = 5%
Current Average Rectified (IF)		A		
Current Surge Peak (IFM)		A	CASE	DO-35
Current, Surge (IFM) at tp =		A		
Max. Power Dissipation (PT) at TA = 25° C	0.5	W		
Max. Thermal Resistance (Rth J-A)	300.0	°C/W		
Max. Junction Temperature (TJ)	175.0	°C		

PERFORMANCE CHARACTERISTICS at T_c = 25°C, unless otherwise noted

NO.	SYMBOL	CONDITIONS	MIN.	MAX.	UNITS
1.	VZ	I _Z = 10.0 mA	8.0	8.8	V
2.	RZ	I _Z = 10.0 mA, ΔI _Z = 10.0% I _Z , f = 1.0 kHz	-	200.0	Ω
3.	IR	V _R = 3.0 V	-	10.0	μA
4.	TC	I _Z = 1.0 mA, TA = - 55.0 to + 100.0° C	-	0.005	%/°C
5.	ΔVZT	- 55.0 to + 150.0° C	-	86.0	mV
6.					
7.					
8.					
9.					
10.					
11.					
12.					
13.					
14.					
15.					
16.					
17.					
18.					
19.					
20.					

Notes

DIMENSIONS
in mm



Marking 3155A
Customer GENERAL PURPOSE