

Technical Data

DIODE



maximum ratings

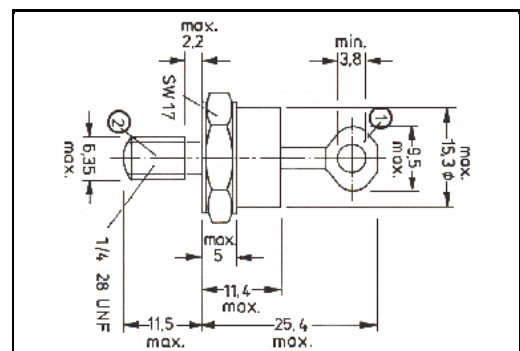
Voltage, Reverse (VZ)	175.0	V	NO.	1N3348B
Voltage, Reverse Peak (VRM)		V	TYPE	50W-ZENER
Current at VR = 0V (IO)		A		
Current Average Rectified (IZM)	0.22	A		
Current Surge Peak (IFM)		A	CASE	DO-5_UNF
Current, Surge (IFM) at tp =		A		ANODE TO CASE
Max. Power Dissipation (PT) at TC = 75 °C	50.0	W		
Max. Thermal Resistance (Rth J-C)	2.0	°C/W		
Max. Junction Temperature (TJ)	175.0	°C		

PERFORMANCE CHARACTERISTICS at T_c = 25°C, unless otherwise noted

NO.	SYMBOL	CONDITIONS	MIN.	MAX.	UNITS
1.	VF	IF = 10.0 A (1)	-	1.5	V
2.	VZ	IZ = 70.0 mA	166.25	183.75	V
3.	IR	VR = 133.0 V	-	5.0	μA
4.	RZ	IZ = 5.0 mA	-	500.0	Ω
5.	RZ	IZ = 70.0 mA	-	85.0	Ω
6.					
7.					
8.					
9.					
10.					
11.					
12.					
13.					
14.					
15.					
16.					
17.					
18.					
19.					
20.					

Notes (1)typical value

DIMENSIONS in mm



Marking 1N3348B
 Customer GENERAL PURPOSE