

Gold Bonded

1N34A

Germanium Diodes

Optimized for Radio Frequency Response

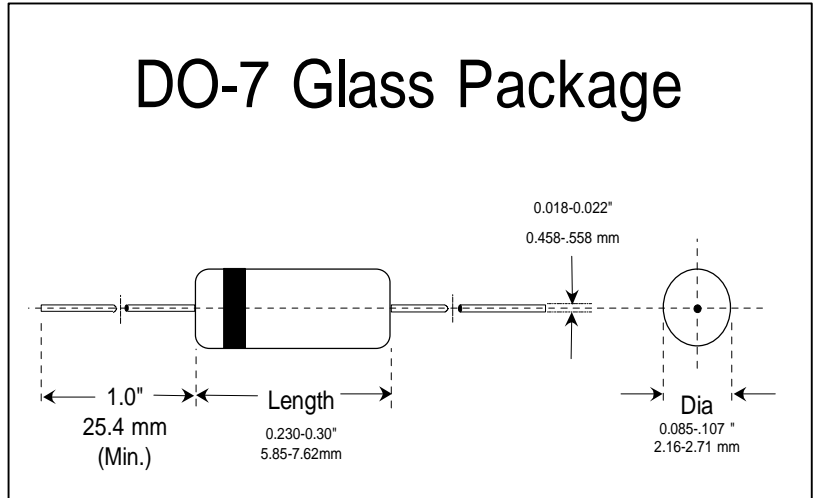
Can be used in many AM, FM and TV-IF applications, replacing point contact devices.

Applications

- AM/FM detectors
- Ratio detectors
- FM discriminators
- TV audio detectors
- RF input probes
- TV video detectors

Features

- Lower leakage current
- Flat junction capacitance
- High mechanical strength
- At least 1 million hours MTBF
- BKC's Sigma-Bond™ plating for problem free solderability



Absolute Maximum Ratings at T_{amb} = 25 °C

Parameter	Symbols	Min.	Max.	Units
Peak Inverse Voltage (Repetitive), Measured @ I _R = 1 mA	PIV	**	65	Volts
Peak Forward Surge Current Non-Repetitive, t = 1 Second	I _{FSM}		0.5	Amps
Peak Forward Surge Current Repetitive	I _{FSR}		200	mA
Average Rectified Forward Current	I _O		50	mA
Operating and Storage Temperatures	T _{J&STG}	-55	+75	°C

Electrical Characteristics at T_{amb} = 25 °C

Parameter	Test Conditions	Symbols	Min.	Max.	Units
Forward Voltage Drop	I _F = 5.0mA	V _F		1.0	Volts
Reverse Leakage	V _R = 10 Volts	I _R		30	µA
	V _R = 50 Volts			500	µA
Breakdown Voltage	I _r = 1.0 mA	PIV	65		Volts