

# Technical Data

## DIODE



### maximum ratings

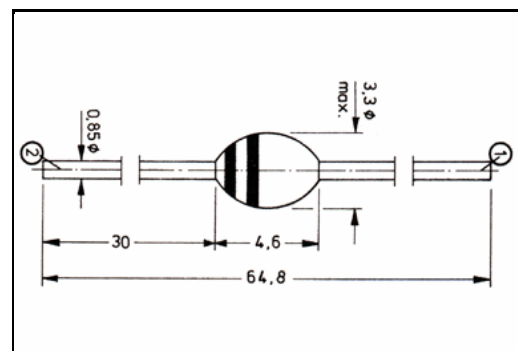
Voltage, Reverse (VR)	800.0	V	NO.	1N3941G-M
Voltage, Reverse Peak (VRM)	960.0	V	TYPE	SILICON
Current at VR = 0V (IO)		A		CONTROLLED
Current Average Rectified (IF)	2.0	A		AVALANCHE
Current Surge Peak (IFM)	6.5	A	CASE	SOD-57
Current, Surge (IFM) at tp = 10 ms	70.0	A		MIL-S-19500
Max. Power Dissipation (PT) at TC = °C		W		BURN-IN 48h/125° C
Max. Thermal Resistance (Rth J-A)	70.0	°C/W		
Max. Junction Temperature (TJ)	175.0	°C		

### PERFORMANCE CHARACTERISTICS at T<sub>c</sub> = 25°C, unless otherwise noted

NO.	SYMBOL	CONDITIONS	MIN.	MAX.	UNITS
1.	VF	IF = 2.0 A (1)	-	1.1	V
2.	IR	VR = 800.0 V	-	5.0	μA
3.	IR	VR = 800.0 V, TC = 150.0° C	-	500.0	μA
4.	VBR	IR = 50.0 μA	960.0	1400.0	V
5.	PRSM	tp = 10.0 μs	-	3.0	kW
6.					
7.					
8.					
9.					
10.					
11.					
12.					
13.					
14.					
15.					
16.					
17.					
18.					
19.					
20.					

Notes (1) pulse-tested tp ≤ 300 μs, duty cycle ≤ 2 %

DIMENSIONS in mm



Marking 1N3941G-M + GREEN DOT  
 Customer GENERAL PURPOSE