

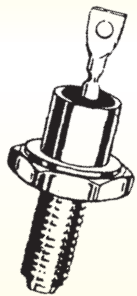


SOLID · STATE
INC.

Your **TOTAL** solutions source!

1N3993 – 1N4000

10 WATTS ZENER DIODES



ZENER DIODES

Low-voltage, alloy-junction zener diodes in hermetically sealed package with cathode connected to case.

Polarity: Cathode-to-case (reverse polarity units are available and designed by an "R" suffix.

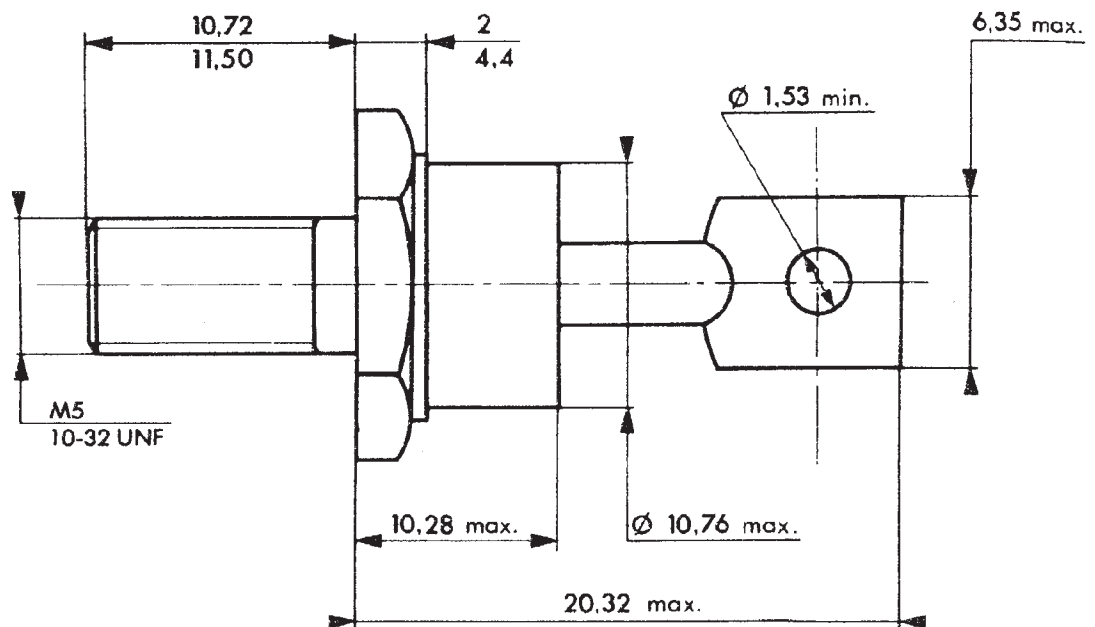
MAXIMUM RATINGS:

Junction and Storage Temperature: -65°C to + 175°C

DC Power Dissipation: 10 Watts (Derate 83.3 mW/°C above 55°C)

The type numbers shown in the table have a standard tolerance on the nominal zener voltage of + 10%. A standard tolerance of +5% on individual units is also available and is indicated by suffixing "A" to the standard type number.

D04



SOLID · STATE
INC.
Your **TOTAL** solutions source!

46 Farrand Street, Bloomfield, NJ 07003 • 800.631.2075
In NJ: 973.429.8700 • Fax: 973.429.8683 • www.solidstateinc.com

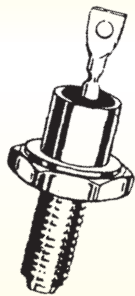


SOLID · STATE
INC.

Your **TOTAL** solutions source!

1N3993 – 1N4000

10 WATTS ZENER DIODES



ELECTRICAL CHARACTERISTICS (TB = 30°C ±3, VF = 1.5 V max @ IF = 2 amp for all units)

Type Number	Nominal Zener Voltage V _Z @ I _{ZT} Volts	Test Current (I _{ZT})Z mA	Max Zener Impedance		Max DC Zener Current (I _{ZM}) ^{mA}	Reverse Leakage Current	
			Z _T @ I _{ZT} Ohms	Z _{ZK} @ I _{ZT} =1.0mA Ohms		I _R µA	V _R Volts
1N3993	3.9	640	2.0	400	2380	100	0.5
1N3994	4.3	580	1.5	400	2130	100	0.5
1N3995	4.7	530	1.2	500	1940	50	1.0
1N3996	5.1	490	1.1	550	1780	10	1.0
1N3997	5.6	445	1.0	600	1620	10	1.0
1N3998	6.2	405	1.1	750	1460	10	2.0
1N3999	6.8	370	1.2	500	1330	10	2.0
1N4000	7.5	335	1.3	250	1210	10	3.0



SOLID · STATE
INC.
Your **TOTAL** solutions source!

46 Farrand Street, Bloomfield, NJ 07003 • 800.631.2075
In NJ: 973.429.8700 • Fax: 973.429.8683 • www.solidstateinc.com