

# Technical Data

## DIODE



### maximum ratings

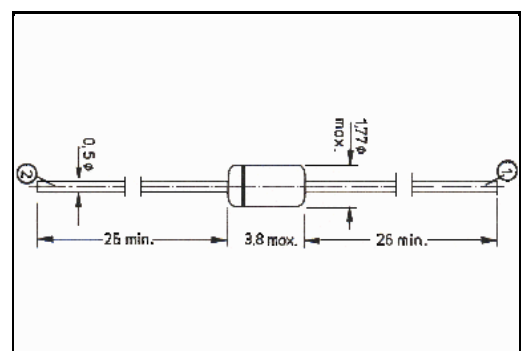
Voltage, Reverse (VR)	75.0	V	NO.	1N4148-M
Voltage, Reverse Peak (VRM)	100.0	V	TYPE	SI - DIODE
Current at VR = 0V (IO)		A		
Current Average Rectified (IF)	0.3	A		
Current Surge Peak (IFM)	0.5	A	CASE	DO-35
Current, Surge (IFM) at tp = 1 μs	2.0	A		MIL-S-19500
Max. Power Dissipation (PT) at TA = 25 °C	0.5	W		BURN-IN 48h/125°C
Max. Thermal Resistance (Rth J-A)	300.0	°C/W		
Max. Junction Temperature (TJ)	175.0	°C		

### PERFORMANCE CHARACTERISTICS at T<sub>c</sub> = 25°C, unless otherwise noted

NO.	SYMBOL	CONDITIONS	MIN.	MAX.	UNITS
1.	IR	VR = 20.0 V	-	25.0	nA
2.	IR	VR = 20.0 V, TJ = 150.0 °C	-	50.0	μA
3.	IR	VR = 75.0 V	-	5.0	μA
4.	VBR	IR = 100.0 μA (1)	100.0	-	V
5.	VF	IF = 10.0 mA (1)	-	1.0	V
6.	VF	IF = 100.0 mA (1)	-	1.2	V
7.	CT	VR = 0.0 V	-	4.0	pF
8.	trr	IF = 10.0 mA, VR = 6.0 V	-	4.0	ns
9.					
10.					
11.					
12.					
13.					
14.					
15.					
16.					
17.					
18.					
19.					
20.					

Notes (1) pulse-tested tp ≤ 300 μs, duty cycle ≤ 2 %

DIMENSIONS  
in mm



Marking 4148 + GREEN DOT  
Customer GENERAL PURPOSE