

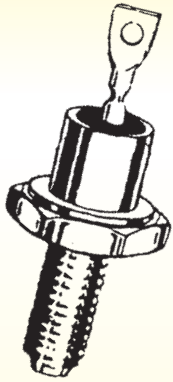


SOLID · STATE
INC.

Your **TOTAL** solutions source!

1N3305 – 1N3350
1N4549 – 1N4556

50 WATTS ZENER DIODES



ZENER DIODES

Units are available with anode-to-case and cathode-to-case connections (standard and reverse polarity). For reverse polarity add suffix "R" to type number.

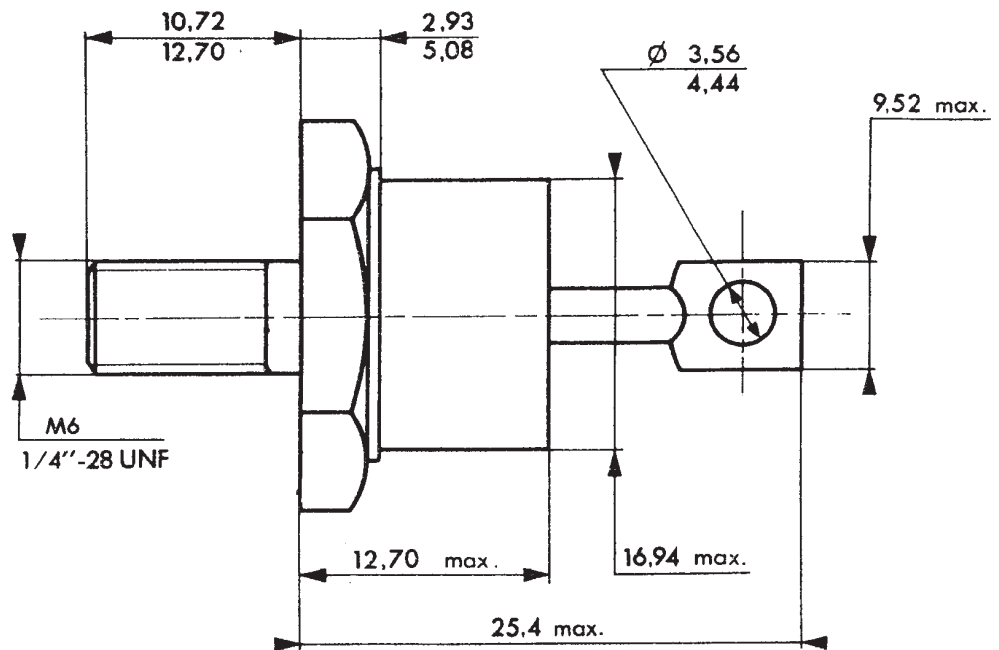
MAXIMUM RATINGS:

Junction and Storage
Temperature: -65°C to +175°C
DC Power Dissipation: 50 Watts
(Derate 0.5W/°C above 75°C)

TOLERANCE DESIGNATION:

Standard voltage tolerances are +/-5% with B suffix, +/-10% with an A suffix and +/-20% with no suffix.

D05



- Standard polarity is anode-to-case
- Reverse polarity with cathode-to-case by designation R suffix in part number, e.g. 1N3305RB, etc.

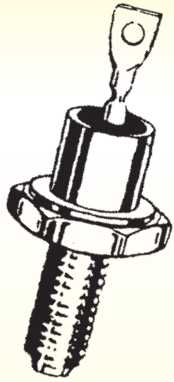


SOLID · STATE
INC.
Your **TOTAL** solutions source!

46 Farrand Street, Bloomfield, NJ 07003 • 800.631.2075
In NJ: 973.429.8700 • Fax: 973.429.8683 • www.solidstateinc.com



**50 WATTS
ZENER
DIODES**



*VR1 – Test Voltage for 5% Tolerance Device

VR2 – Test Voltage for 10% Tolerance Device

No Leakage Specified as 20% Tolerance Device

- Standard voltage tolerance are +/-5% with B suffix, +/-10% with an A suffix, and +/-20% with no suffix
- Standard polarity is anode-to-case
- Reverse polarity with cathode-to-case by designating R suffix in part number, e.g. 1N3305RB, etc

ELECTRICAL CHARACTERISTICS (TC = 30°C unless otherwise specified, VF = 1.5 V max @ 10 A on all types)

Type Number	Nominal Zener Voltage Vz @ IZT Volts	Test Current (IZT) mA	Max Zener Impedance		Max DC Zener 75°C Case Temp (IZM)mA	Reverse Leakage Current			Typical Zener Voltage Temperature Coeff. %/°C
			ZT @ IZT Ohms	ZZK @ IZT = 5mA Ohms		IRMax	VR1	VR2	
1N4549	3.9	3200	0.16	400	11900	150	0.5	0.5	-.025
1N4550	4.3	2900	0.16	500	10650	150	0.5	0.5	-.025
1N4551	4.7	2650	0.12	600	9700	100	1.0	1.0	.010
1N4552	5.1	2450	0.12	650	8900	20	1.0	1.0	.015
1N4553	5.6	2250	0.12	900	8100	20	1.0	1.0	.030
1N4554	6.2	2000	0.14	1000	7300	20	2.0	2.0	.040
1N3305	6.8	1850	0.2	70	6600	150	4.5	4.3	.040
1N4555	6.8	1850	0.16	200	6650	10	2.0	2.0	.045
1N3306	7.5	1700	0.3	70	5900	75	5.0	4.7	.045
1N4556	7.5	1650	0.24	100	6050	10	3.0	3.0	.053
1N3307	8.2	1500	0.4	70	5200	50	5.4	5.2	.048
1N3308	9.1	1370	0.5	70	4800	25	6.1	5.7	.051
1N3309	10	1200	0.6	80	4300	10	6.7	6.3	.055
1N3310	11	1100	0.8	80	3900	5	8.4	8.0	.060
1N3311	12	1000	1.0	80	3600	5	9.1	8.6	.065
1N3312	13	960	1.1	80	3300	5	9.9	9.4	.065
1N3313	14	890	1.2	80	3000	5	10.6	10.1	.070
1N3314	15	830	1.4	80	2800	5	11.4	10.8	.070
1N3315	16	780	1.6	80	2650	5	12.2	11.5	.070
1N3316	17	740	1.8	80	2500	5	13.0	12.2	.075
1N3317	18	700	2.0	80	2300	5	13.7	13.0	.075
1N3318	19	660	2.2	80	2200	5	14.4	13.7	.075
1N3319	20	630	2.4	80	2100	5	15.2	14.4	.075
1N3320	22	570	2.5	80	1900	5	16.7	15.8	.080
1N3321	24	520	2.6	80	1750	5	18.2	17.3	.080
1N3322	25	500	2.7	90	1550	5	19.0	18.0	.080
1N3323	27	460	2.8	90	1500	5	20.6	19.4	.085
1N3324	30	420	3.0	90	1400	5	22.8	21.6	.085
1N3325	33	380	3.2	90	1300	5	25.1	23.8	.085
1N3326	36	350	3.5	90	1150	5	27.4	25.9	.085
1N3327	39	320	4.0	90	1050	5	29.7	28.1	.090
1N3328	43	290	4.5	90	975	5	32.7	31.0	.090
1N3329	45	280	4.5	100	930	5	34.2	32.4	.090
1N3330	47	270	5.0	100	880	5	35.8	33.8	.090
1N3331	50	250	5.0	100	830	5	38.0	36.0	.090
1N3332	51	245	5.2	100	810	5	38.8	36.7	.090
1N3333	52	240	5.5	100	790	5	39.5	37.4	.090
1N3334	56	220	6	110	740	5	42.6	40.3	.090
1N3335	62	200	7	120	660	5	47.1	44.6	.090
1N3336	68	180	8	140	600	5	51.7	49.0	.090
1N3337	75	170	9	150	540	5	56.0	54.0	.090
1N3338	82	150	11	160	490	5	62.2	59.0	.090
1N3339	91	140	15	180	420	5	69.2	65.5	.090
1N3340	100	120	20	200	400	5	76.0	72.0	.090
1N3341	105	120	25	210	380	5	79.8	75.6	.095
1N3342	110	110	30	220	365	5	83.6	79.2	.095
1N3343	120	100	40	240	335	5	91.2	86.4	.095
1N3344	130	95	50	275	310	5	98.8	93.6	.095
1N3345	140	90	60	325	290	5	106.4	100.8	.095
1N3346	150	85	75	400	270	5	114.0	108.0	.095
1N3347	160	80	80	450	250	5	121.6	115.2	.095
1N3348	175	70	85	500	230	5	133.0	126.0	.095
1N3349	180	68	90	525	220	5	136.8	129.6	.095
1N3350	200	65	100	600	200	5	152.0	144.0	.100

