

Technical Data

DIODE



maximum ratings

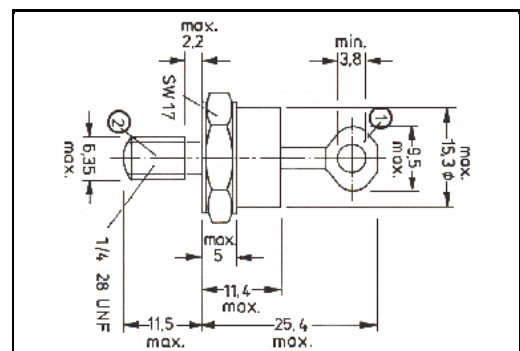
Voltage, Reverse (VZ)	5.6	V	NO.	1N4553B
Voltage, Reverse Peak (VRM)		V	TYPE	50W-ZENER
Current at VR = 0V (IO)		A		
Current Average Rectified (IF)		A		
Current Surge Peak (IZM)	8.1	A	CASE	DO-5_UNF
Current, Surge (IFM) at tp =		A		ANODE TO CASE
Max. Power Dissipation (PT) at TC = 75 °C	50.0	W		
Max. Thermal Resistance (Rth J-C)	2.0	°C/W		
Max. Junction Temperature (TJ)	175.0	°C		

PERFORMANCE CHARACTERISTICS at $T_c = 25^\circ\text{C}$, unless otherwise noted

NO.	SYMBOL	CONDITIONS	MIN.	MAX.	UNITS
1.	VF	IF = 10.0 A (1)	-	1.5	V
2.	VZ	IZ = 2.25 A	5.3	5.35	V
3.	IR	VR = 1.0 V	-	20.0	μA
4.	RZ	IZ = 2.25 A	-	0.12	Ω
5.	RZ	IZ = 5.0 mA	-	900.0	Ω
6.					
7.					
8.					
9.					
10.					
11.					
12.					
13.					
14.					
15.					
16.					
17.					
18.					
19.					
20.					

Notes (1) pulse-tested $t_p \leq 300 \mu\text{s}$, duty cycle $\leq 2\%$

DIMENSIONS
in mm



Marking 1N4553B
Customer GENERAL PURPOSE