

500mW Low Noise Zener Diodes

Features

- Low Current Operation at 250 μ A
- Low Reverse Leakage
- Low Noise Characteristics
- Metallurgically Bonded
- High temperature soldering guaranteed: 260 $^{\circ}$ C/10 seconds
- RoHS Compliant



DO-35



Mechanical Data

Case:	Hermetically sealed axial lead glass case, DO-35 package
Terminals:	Leads, tin-lead plated solderable per MIL-STD-750, method 2026
Polarity:	Color band denotes cathode
Weight:	0.2 gram

Maximum Ratings ($T_A=25^{\circ}\text{C}$ unless noted otherwise)

Symbol	Description	Value	Unit	Conditions
P_{tot}	Power dissipation	500	mW	$T_L \leq 50^{\circ}\text{C}$, 3/8 inch (10mm) lead length from the body. (See Fig.2)
R_{thJL}	Max. Thermal Resistance (Junction to Lead)	250	$^{\circ}\text{C} / \text{W}$	At 3/8 inch (10mm) lead length from body
T_J, T_{STG}	Operating Junction and Storage Temperature Range	-65 to 175	$^{\circ}\text{C}$	

500mW Low Noise Zener Diodes

1N4614 - 1N4627/1N4099 - 1N4135

Electrical Characteristics ($T_A=25^\circ\text{C}$ unless noted otherwise)

Part Number	Nominal Zener Voltage V_Z @ I_{ZT} (Note1)	Zener Test Current I_{ZT}	Maximum Zener Impedance Z_{ZT}	Maximum Reverse Leakage Current I_R @ V_R		Maximum Noise Density N_D @ I_{ZT} (Fig.1)	Maximum Zener Current I_{ZM} (Note2)	Maximum TEMP. Coeff. Of Zener Voltage α_{VZ}
	V	μA	Ω	μA	V	$\mu\text{V}/\text{Sq}(\text{Hz})$	mA	$\%/^\circ\text{C}$
1N4614	1.8	250	1200	7.5	1	1	120	-0.075
1N4615	2.0	250	1250	5.0	1	1	110	-0.075
1N4616	2.2	250	1300	4.0	1	1	100	-0.075
1N4617	2.4	250	1400	2.0	1	1	95	-0.075
1N4618	2.7	250	1500	1.0	1	1	90	-0.075
1N4619	3.0	250	1600	0.8	1	1	87	-0.075
1N4620	3.3	250	1650	7.5	1.5	1	85	-0.075
1N4621	3.6	250	1700	7.5	2	1	83	-0.065
1N4622	3.9	250	1650	5.0	2	1	80	-0.060
1N4623	4.3	250	1600	4.0	2	1	77	-0.050
1N4624	4.7	250	1550	10	3	1	75	-0.050+0.020
1N4625	5.1	250	1500	10	3	2	70	-0.045+0.030
1N4626	5.6	250	1400	10	4	4	65	-0.020+0.040
1N4627	6.2	250	1200	10	5	5	61	-0.010+0.050
1N4099	6.8	250	200	10	5.17	40	56	0.060
1N4100	7.5	250	200	10	5.70	40	51	0.065
1N4101	8.2	250	200	1.0	6.24	40	46	0.070
1N4102	8.7	250	200	1.0	6.61	40	44	0.075
1N4103	9.1	250	200	1.0	6.92	40	42	0.080
1N4104	10	250	200	0.05	7.60	40	38	0.080
1N4105	11	250	200	0.05	8.44	40	35	0.080
1N4106	12	250	200	0.05	9.12	40	32	0.080
1N4107	13	250	200	0.05	9.87	40	29	0.080
1N4108	14	250	200	0.05	10.65	40	27	0.085
1N4109	15	250	100	0.05	11.40	40	25	0.085
1N4110	16	250	100	0.05	12.15	40	24	0.085
1N4111	17	250	100	0.05	12.92	40	22	0.090
1N4112	18	250	100	0.05	13.67	40	21	0.090
1N4113	19	250	150	0.05	14.44	40	20	0.090
1N4114	20	250	150	0.01	15.20	40	19	0.090
1N4115	22	250	150	0.01	16.72	40	17	0.090
1N4116	24	250	150	0.01	18.25	40	16	0.090
1N4117	25	250	150	0.01	19.00	40	15	0.090
1N4118	27	250	150	0.01	20.45	40	14	0.090
1N4119	28	250	200	0.01	21.28	40	14	0.095

500mW Low Noise Zener Diodes

1N4614 - 1N4627/1N4099 - 1N4135

Part Number	Nominal Zener Voltage V_Z @ I_{ZT} (Note1)	Zener Test Current I_{ZT}	Maximum Zener Impedance Z_{ZT}	Maximum Reverse Leakage Current I_R @ V_R		Maximum Noise Density N_D @ I_{ZT} (Fig.1)	Maximum Zener Current I_{ZM} (Note2)	Maximum TEMP. Coeff. Of Zener Voltage α_{VZ}
	V	μA	Ω	μA	V	$\mu V/Sq(HZ)$	mA	%/° C
1N4120	30	250	200	0.01	22.80	40	13	0.095
1N4121	33	250	200	0.01	25.08	40	12	0.095
1N4122	36	250	200	0.01	27.38	40	11	0.095
1N4123	39	250	200	0.01	29.65	40	9.8	0.095
1N4124	43	250	250	0.01	32.65	40	8.9	0.095
1N4125	47	250	250	0.01	35.75	40	8.1	0.095
1N4126	51	250	300	0.01	38.76	40	7.5	0.100
1N4127	56	250	300	0.01	42.60	40	6.7	0.100
1N4128	60	250	400	0.01	45.60	40	6.4	0.100
1N4129	62	250	500	0.01	47.10	40	6.1	0.100
1N4130	68	250	700	0.01	51.68	40	5.6	0.100
1N4131	75	250	700	0.01	57.00	40	5.1	0.100
1N4132	82	250	800	0.01	62.32	40	4.6	0.100
1N4133	87	250	1000	0.01	66.12	40	4.4	0.100
1N4134	91	250	1200	0.01	69.16	40	4.2	0.100
1N4135	100	250	1500	0.01	76.00	40	3.8	0.100

Note 1: The part numbers shown above have a Zener voltage tolerance of $\pm 5\%$ of the nominal Zener voltage. V_Z is measured with the device junction in thermal equilibrium at an ambient temperature of $25^\circ C \pm 3^\circ C$.

Note 2: Based upon 400mW maximum power dissipation at $25^\circ C$ lead temperature, allowance has been made for the higher voltage associated with operation at higher currents.

500mW Low Noise Zener Diodes

1N4614 - 1N4627/1N4099 - 1N4135

Circuit and Graphs

Fig.1-Noise Density Measurement Circuit

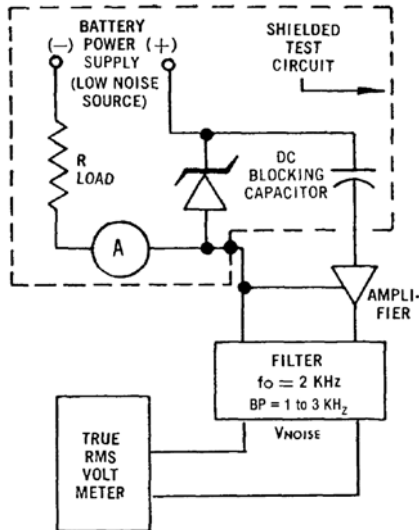


Fig.2- Power Derating Curve

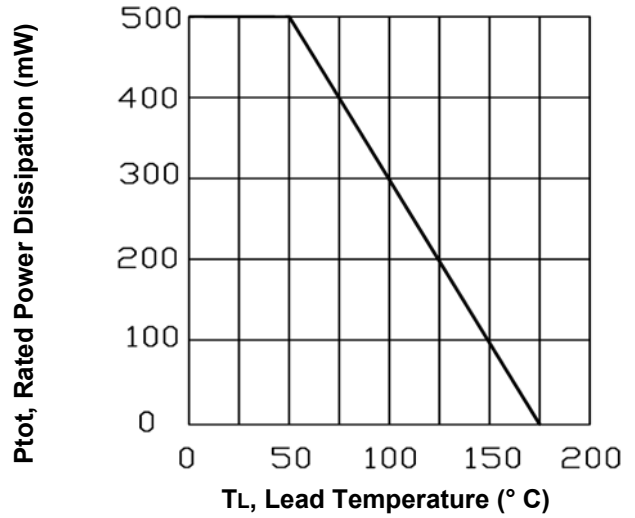


Fig.3-Typical Thermal Resistance

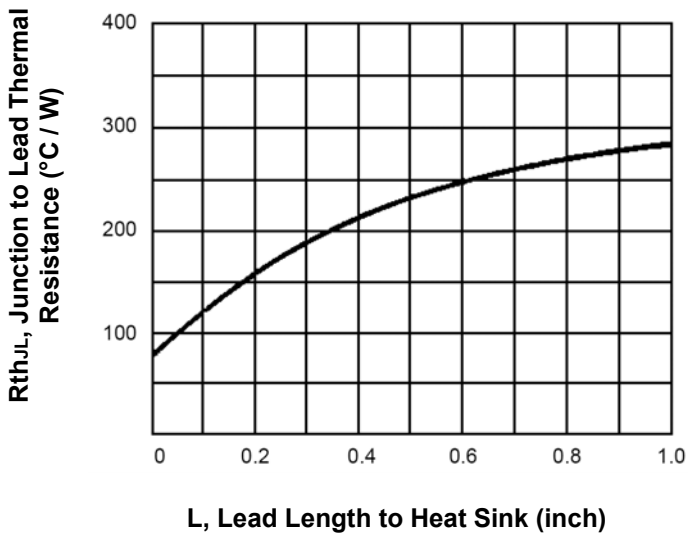
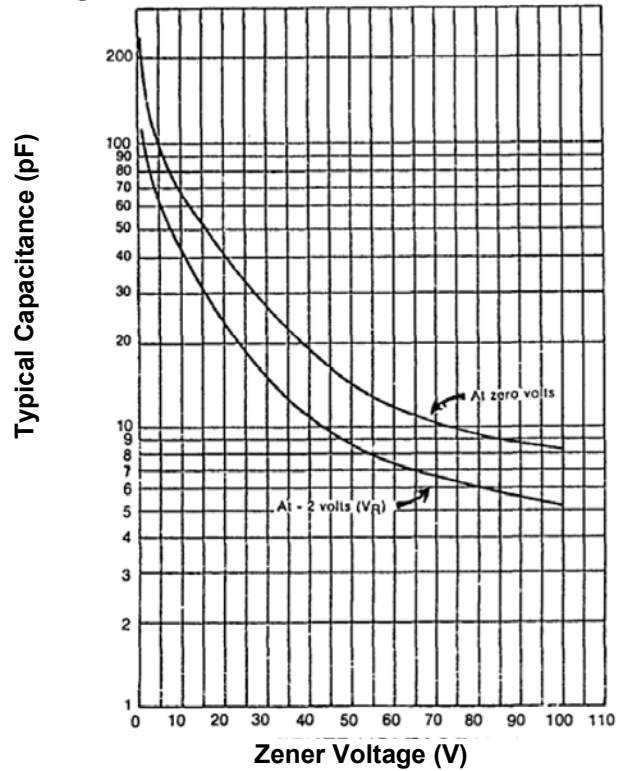


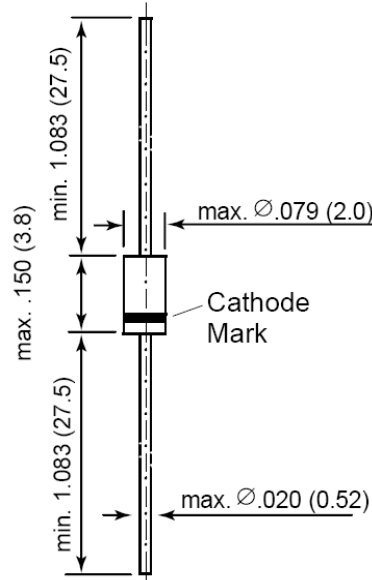
Fig.4- Typical Capacitance vs. Zener Voltage



500mW Low Noise Zener Diodes

1N4614 - 1N4627/1N4099 - 1N4135

Dimensions in inch (mm)



DO-35

How to contact us

US HEADQUARTERS

28040 WEST HARRISON PARKWAY, VALENCIA, CA 91355-4162

Tel: (800) TAITRON (800) 824-8766 (661) 257-6060

Fax: (800) TAITFAX (800) 824-8329 (661) 257-6415

Email: taitron@taitroncomponents.com

Http://www.taitroncomponents.com

TAITRON COMPONENTS MEXICO, S.A .DE C.V.

BOULEVARD CENTRAL 5000 INTERIOR 5 PARQUE INDUSTRIAL ATITALAQUIA, HIDALGO C.P.

42970 MEXICO

Tel: +52-55-5560-1519

Fax: +52-55-5560-2190

TAITRON COMPONENTS INCORPORATED REPRESENTAÇÕES DO BRASIL LTDA

RUA DOMINGOS DE MORAIS, 2777, 2.ANDAR, SALA 24 SAÚDE - SÃO PAULO-SP 04035-001 BRAZIL

Tel: +55-11-5574-7949

Fax: +55-11-5572-0052

TAITRON COMPONENTS INCORPORATED, SHANGHAI REPRESENTATIVE OFFICE

CROSS REGION PLAZA, 899 LINGLING ROAD, SUITE 18C, SHANGHAI, 200030, CHINA

Tel: +86-21-5424-9942

Fax: +86-21-5424-9931