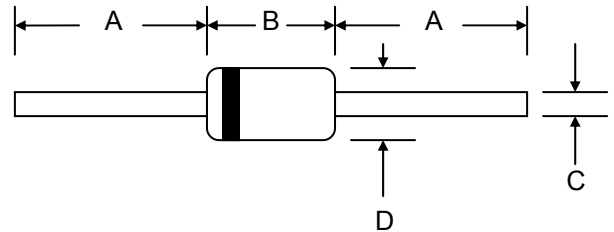


Features

- Planar Die Construction
- 1.0W Power Dissipation
- 3.3V – 100V Nominal Zener Voltage
- 5% Standard Vz Tolerance
- Low Inductance
- For Use in Voltage Regulator or Reference
- Plastic Case Material has UL Flammability Classification Rating 94V-0



Mechanical Data

- Case: DO-41G, Molded Glass
- Terminals: Plated Leads Solderable per MIL-STD-202, Method 208
- Polarity: Cathode Band
- Weight: 0.31 grams (approx.)
- Mounting Position: Any
- Marking: Type Number 1N47xxA
- **Lead Free: For RoHS / Lead Free Version, Add "-LF" Suffix to Part Number, See Page 5**

DO-41G		
Dim	Min	Max
A	25.4	—
B	3.50	4.60
C	0.65	0.95
D	2.00	2.72
All Dimensions in mm		

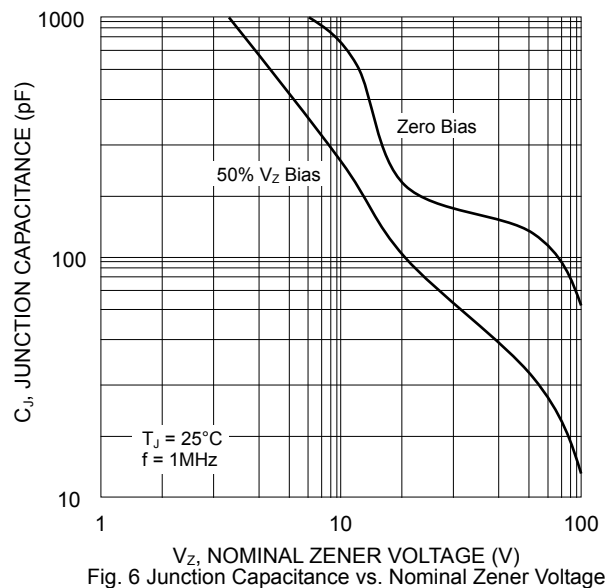
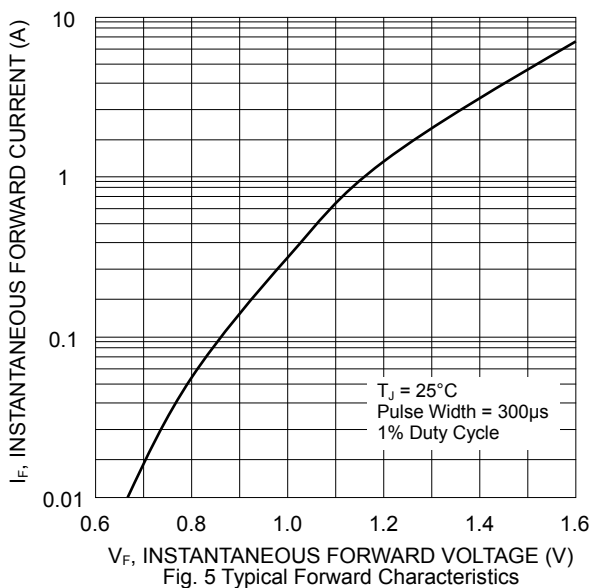
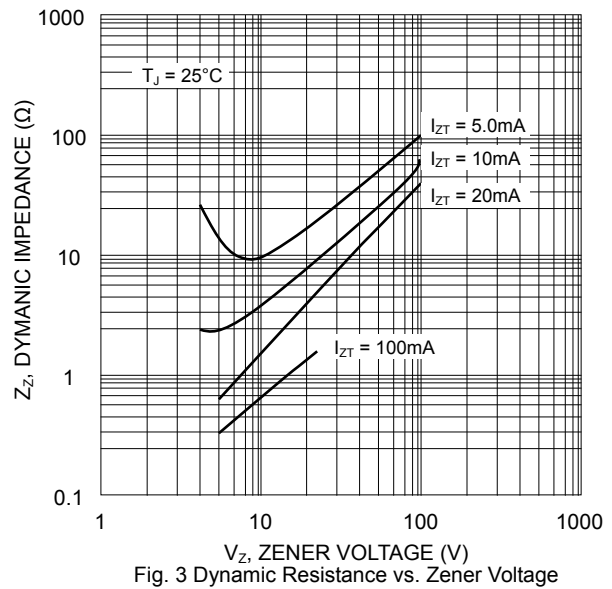
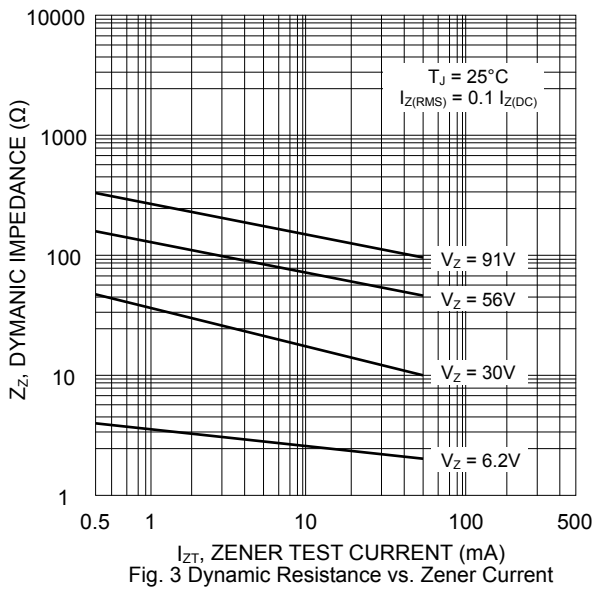
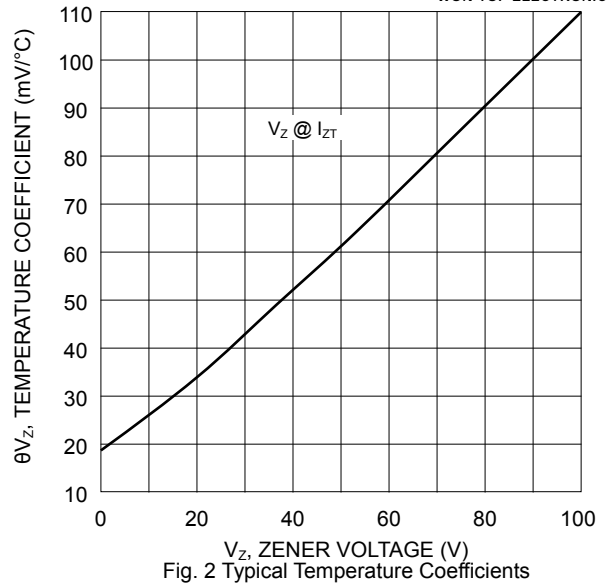
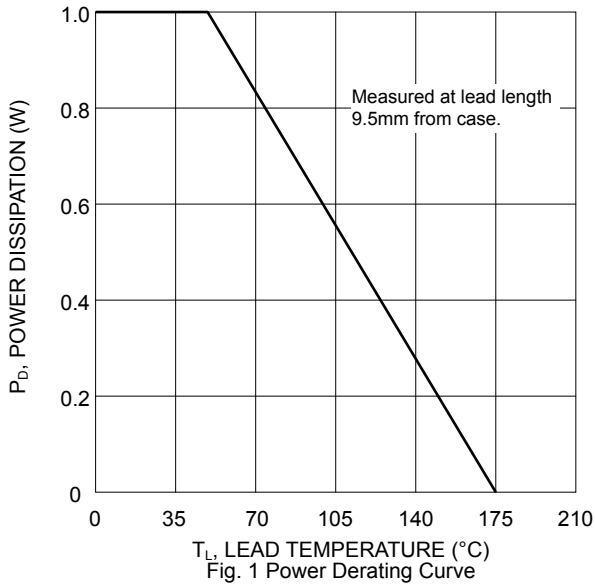
Maximum Ratings @T_A=25°C unless otherwise specified

Characteristic	Symbol	Value	Unit
Power Dissipation at T _L = 50°C (Note 1) Derate above 50°C	P _D	1.0 6.67	W mW/°C
Forward Voltage @ I _F = 200mA	V _F	1.2	V
Thermal Resistance, Junction to Ambient (Note 2)	R _{JA}	170	K/W
Operating and Storage Temperature Range	T _J , T _{STG}	-65 to +175	°C

Note: 1. Measured at lead length 3/8" (9.5mm) from body.

2. Valid provided that leads are kept at ambient temperature at a distance of 10mm from the case.

1N4728AG – 1N4764AG

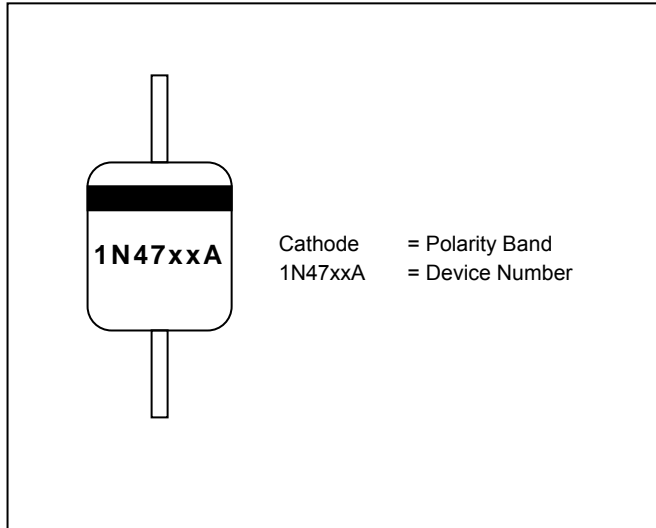


Electrical Characteristics (@T_A=25°C unless otherwise specified) Table 1

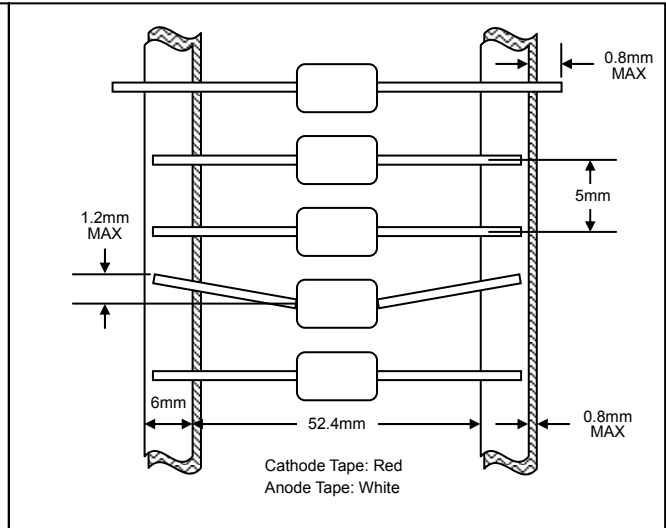
Type Number (Note 1)	Nominal Zener Voltage (Note 2)	Test Current	Maximum Zener Impedance (Note 3)			Maximum Leakage Current		Max DC Zener Current	Max Surge Current 8.3ms
	V _Z @ I _{ZT}	I _{ZT}	Z _{ZT} @ I _{ZT}	Z _{ZK} @ I _{ZK}	I _{ZK}	I _R @ V _R		I _{ZM}	I _{ZS}
	(V)	(mA)	()	()	(mA)	(μA)	(V)	(mA)	(mA)
1N4728AG	3.3	76.0	10	400	1.00	100	1.0	276	1380
1N4729AG	3.6	69.0	10	400	1.00	100	1.0	252	1260
1N4730AG	3.9	64.0	9.0	400	1.00	50	1.0	234	1190
1N4731AG	4.3	58.0	9.0	400	1.00	10	1.0	217	1070
1N4732AG	4.7	53.0	8.0	500	1.00	10	1.0	193	970
1N4733AG	5.1	49.0	7.0	550	1.00	10	1.0	178	890
1N4734AG	5.6	45.0	5.0	600	1.00	10	2.0	162	810
1N4735AG	6.2	41.0	2.0	700	1.00	10	3.0	146	730
1N4736AG	6.8	37.0	3.5	700	1.00	10	4.0	133	660
1N4737AG	7.5	34.0	4.0	700	0.50	10	5.0	121	605
1N4738AG	8.2	31.0	4.5	700	0.50	10	6.0	110	550
1N4739AG	9.1	28.0	5.0	700	0.50	10	7.0	100	500
1N4740AG	10	25.0	7.0	700	0.25	10	7.6	91	454
1N4741AG	11	23.0	8.0	700	0.25	5	8.4	83	414
1N4742AG	12	21.0	9.0	700	0.25	5	9.1	76	380
1N4743AG	13	19.0	10	700	0.25	5	9.9	69	344
1N4744AG	15	17.0	14	700	0.25	5	11.4	61	304
1N4745AG	16	15.5	16	700	0.25	5	12.2	57	285
1N4746AG	18	14.0	20	750	0.25	5	13.7	50	250
1N4747AG	20	12.5	22	750	0.25	5	15.2	45	225
1N4748AG	22	11.5	23	750	0.25	5	16.7	41	205
1N4749AG	24	10.5	25	750	0.25	5	18.2	38	190
1N4750AG	27	9.5	35	750	0.25	5	20.6	34	170
1N4751AG	30	8.5	40	1000	0.25	5	22.8	30	150
1N4752AG	33	7.5	45	1000	0.25	5	25.1	27	135
1N4753AG	36	7.0	50	1000	0.25	5	27.4	25	125
1N4754AG	39	6.5	60	1000	0.25	5	29.7	23	115
1N4755AG	43	6.0	70	1500	0.25	5	32.7	22	110
1N4756AG	47	5.5	80	1500	0.25	5	35.8	19	95
1N4757AG	51	5.0	95	1500	0.25	5	38.8	18	90
1N4758AG	56	4.5	110	2000	0.25	5	42.6	16	80
1N4759AG	62	4.0	125	2000	0.25	5	47.1	14	70
1N4760AG	68	3.7	150	2000	0.25	5	51.7	13	65
1N4761AG	75	3.3	175	2000	0.25	5	56.0	12	60
1N4762AG	82	3.0	200	3000	0.25	5	62.2	11	55
1N4763AG	91	2.8	250	3000	0.25	5	69.2	10	50
1N4764AG	100	2.5	350	3000	0.25	5	76.0	9.0	45

Note: 1. Type numbers listed have standard tolerance on the nominal zener voltage of ±5%.
 2. Measured under thermal equilibrium and DC (I_{ZT}) test conditions.
 3. f = 1KHz

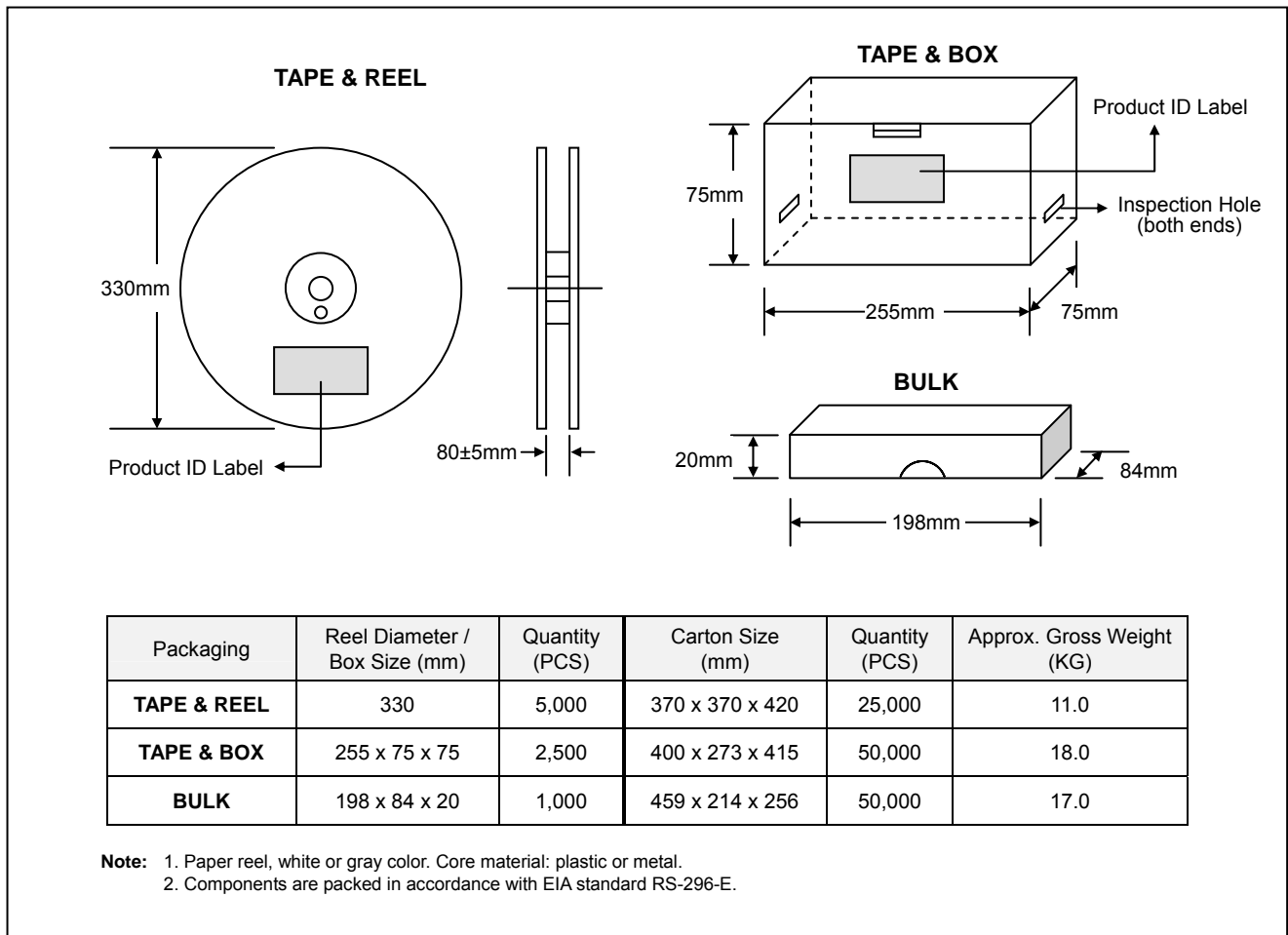
MARKING INFORMATION



TAPING SPECIFICATIONS




PACKAGING INFORMATION



ORDERING INFORMATION

Product No.	Package Type	Shipping Quantity
1N47xxAG-T3	DO-41G	5000/Tape & Reel
1N47xxAG-TB	DO-41G	2500/Tape & Box
1N47xxAG	DO-41G	1000 Units/Box

1. Products listed in **bold** are WTE **Preferred** Devices
2. Shipping quantity given is for minimum packing quantity only. For minimum order quantity, please consult the Sales Department.
3. **To order RoHS / Lead Free version (with Lead Free finish), add "-LF" suffix to part number above. For example, 1N4728AG-TB-LF.**

WON-TOP ELECTRONICS and  are registered trademarks of Won-Top Electronics Co., Ltd (WTE). WTE has checked all information carefully and believes it to be correct and accurate. However, WTE cannot assume any responsibility for inaccuracies. Furthermore, this information does not give the purchaser of semiconductor devices any license under patent rights to manufacturer. WTE reserves the right to change any or all information herein without further notice.

WARNING: DO NOT USE IN LIFE SUPPORT EQUIPMENT. WTE power semiconductor products are not authorized for use as critical components in life support devices or systems without the express written approval.

Won-Top Electronics Co., Ltd.
No. 44 Yu Kang North 3rd Road,
Chine Chen Dist., Kaohsiung 806, Taiwan
Phone: 886-7-822-5408 or 886-7-822-5410
Fax: 886-7-822-5417
Email: sales@wontop.com
Internet: http://www.wontop.com

We power your everyday.