

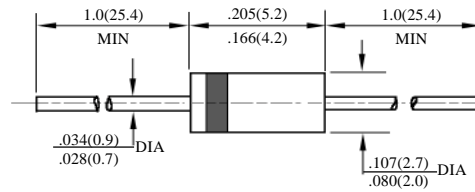
1N4933G – 1N4937G

快速玻钝二极管  
FAST GPP DIODES

型号 TYPE	最大反向 峰值电压 Maximum Peak Reverse Voltage	最大平均正向电流 Maximum Average Rectified Current @ Half-Wave Resistive Load 60Hz		最大正向浪涌电流 Maximum Forward Peak Surge Current @ 8.3ms Superimposed	最大反向漏电流 Maximum Reverse Current @ PRV @ T <sub>A</sub> =25°C	最大正向电压 Maximum Forward Voltage @ T <sub>A</sub> =25°C		最大反向 恢复时间 Maximum Reverse Recovery Time	外型尺寸 Package Dimensions
		I <sub>O</sub> @ T <sub>L</sub>	A <sub>AV</sub>			°C	A <sub>PK</sub>		
	PRV			I <sub>FM</sub> (Surge)	I <sub>R</sub>	I <sub>FM</sub>	V <sub>FM</sub>	Trr	
	V <sub>PK</sub>	A <sub>AV</sub>	°C	A <sub>PK</sub>	μA <sub>dc</sub>	A <sub>PK</sub>	V <sub>PK</sub>	ns	
1N4933G	50	1.0	55	30	5.0	1.0	1.2	150	DO-41
1N4934G	100								
1N4935G	200								
1N4936G	400								
1N4937G	600								

Trr测试条件: I<sub>F</sub> = 0.5A, I<sub>R</sub> = 1.0A, I<sub>RR</sub> = 0.25A

Trr Test Conditions: I<sub>F</sub> = 0.5A, I<sub>R</sub> = 1.0A, I<sub>RR</sub> = 0.25A



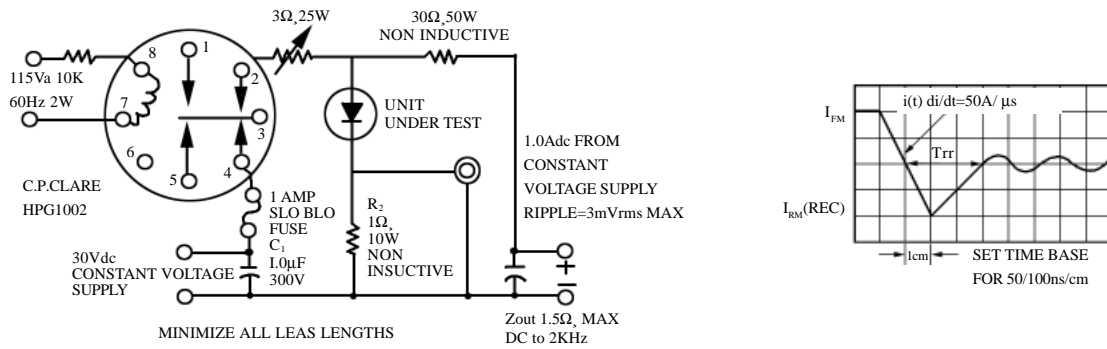
DO - 41

1N4933G-1N4937G

快速 GPP 二极管额定值与特性曲线

RATING & CHARACTERISTIC CURVES OF FAST GPP DIODE

FIG.1-REVERSE RECOVERY TIME CHARACTERISTIC AND TEST CIRCUIT DIAGRAM



A TEKTRONIX 545A.K PLUG IN PRE AMP  
 P6000 PROBE OR EQUIVALENT  
 R<sub>1</sub> ADJUSTED FOR 1.4 Ω, BETWEEN  
 POINT 2 OF RELAY AND RECTIFIER  
 INDUCTIVE = 38μH

R<sub>2</sub> TEN 1W 10Ω, % CARBON CORE  
 IN PARALLEL  
 T<sub>A</sub> 25 ± 0.5°C FOR RECTIFIER

FIG.3-TYPICAL FORWARD CHARACTERISTICS

FIG. 2 - TYPICAL FORWARD CURRENT DERATING CURVE

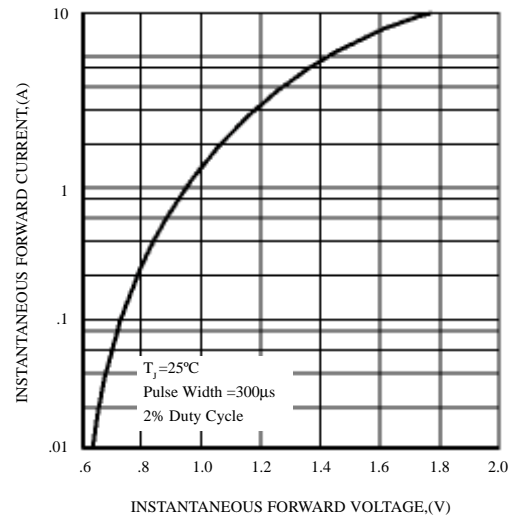
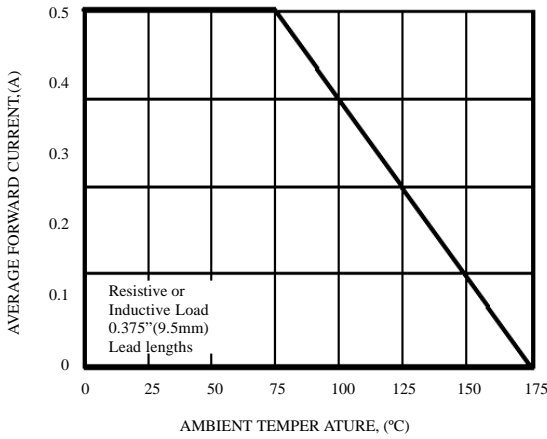


FIG.5-TYPICAL REVERSE CHARACTERISTICS

FIG.4-TYPICAL JUNCTION CAPACITANCE

