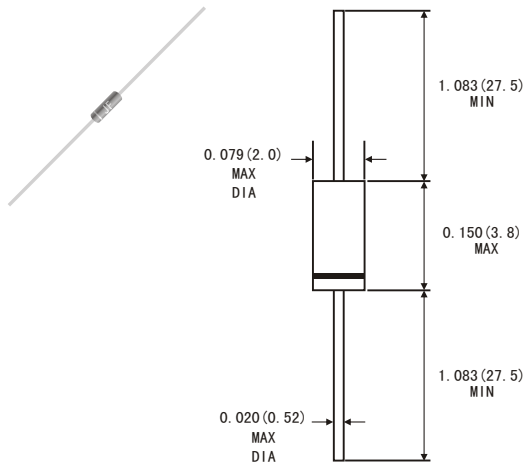


FEATURES

- Standard zener voltage tolerance is $\pm 20\%$. Add suffix "A" for $\pm 10\%$ tolerance and suffix "B" for $\pm 5\%$ tolerance, suffix "C" for $\pm 2\%$ tolerance. Other tolerance, non standard and higher zener voltages are upon request.
- High temperature soldering guaranteed: $260^\circ\text{C}/10$ seconds at terminals
- Component in accordance to RoHS 2002/95/EC and WEEE 2002/96/EC

DO-35



Dimensions in inches and (millimeters)

MECHANICAL DATA

- Case: DO-35 glass case
- Polarity: Color band denotes cathode end
- Weight: Approx. 0.13 gram

ABSOLUTE MAXIMUM RATINGS(LIMITING VALUES) ($T_A=25^\circ\text{C}$)

| | Symbols | Value | Units |
|---|------------------|-------------------|------------------|
| Zener current see table "Characteristics" | | | |
| Power dissipation at $T_A=75^\circ\text{C}$ | P_{tot} | 500 ¹⁾ | mW |
| Junction temperature | T_J | 200 | $^\circ\text{C}$ |
| Storage temperature range | T_{STG} | -65 to +200 | $^\circ\text{C}$ |

1) Valid provided that a distance of 8mm from case is kept at ambient temperature

ELECTRICAL CHARACTERISTICS ($T_A=25^\circ\text{C}$)

| | Symbols | Min | Typ | Max | Units |
|--|-----------------|-----|-----|-------------------|-------|
| Thermal resistance junction to ambient air | $R_{\theta JA}$ | | | 0.3 ¹⁾ | K/mW |
| Forward voltage at $I_F=200\text{mA}$ | V_F | | | 1.1 | V |

1) Valid provided that a distance of 8mm from case is kept at ambient temperature

1N5220 THRU 1N5266 SILICON PLANAR ZENER DIODES

| Type | Zener Voltage range ¹⁾ | | Maximum zener impedance ²⁾ | | | Maximum Reverse Leakage Current | | Temp. Coefficient of zener voltage |
|--------|-----------------------------------|-----------------|--|-------|------|--|-----|------------------------------------|
| | V _{ZNOM} ³⁾ | I _{ZT} | r _{ZK} and r _{ZK} at I _{ZK} | | | I _R ²⁾ at V _R | | TK _{Vz} |
| | V | mA | Ω | Ω | mA | μA | V | %/K |
| 1N5220 | 2.2 | 20 | <30 | <1150 | 0.25 | <100 | 1 | <-0.085 |
| 1N5221 | 2.4 | 20 | <30 | <1200 | 0.25 | <100 | 1 | <-0.085 |
| 1N5222 | 2.5 | 20 | <30 | <1250 | 0.25 | <100 | 1 | <-0.085 |
| 1N5223 | 2.7 | 20 | <30 | <1300 | 0.25 | <75 | 1 | <-0.080 |
| 1N5224 | 2.8 | 20 | <30 | <1400 | 0.25 | <75 | 1 | <-0.080 |
| 1N5225 | 3 | 20 | <29 | <1600 | 0.25 | <50 | 1 | <-0.075 |
| 1N5226 | 3.3 | 20 | <28 | <1600 | 0.25 | <25 | 1 | <-0.070 |
| 1N5227 | 3.6 | 20 | <24 | <1700 | 0.25 | <15 | 1 | <-0.065 |
| 1N5228 | 3.9 | 20 | <23 | <1900 | 0.25 | <10 | 1 | <-0.060 |
| 1N5229 | 4.3 | 20 | <22 | <2000 | 0.25 | <5 | 1 | <-0.055 |
| 1N5230 | 4.7 | 20 | <19 | <1900 | 0.25 | <5 | 2 | <±0.030 |
| 1N5231 | 5.1 | 20 | <17 | <1600 | 0.25 | <5 | 2 | <±0.030 |
| 1N5232 | 5.6 | 20 | <11 | <1600 | 0.25 | <5 | 3 | <+0.038 |
| 1N5233 | 6 | 20 | <7 | <1600 | 0.25 | <5 | 3.5 | <+0.038 |
| 1N5234 | 6.2 | 20 | <7 | <1000 | 0.25 | <5 | 4 | <+0.045 |
| 1N5235 | 6.8 | 20 | <5 | <750 | 0.25 | <3 | 5 | <+0.050 |
| 1N5236 | 7.5 | 20 | <6 | <500 | 0.25 | <3 | 6 | <+0.058 |
| 1N5237 | 8.2 | 20 | <8 | <500 | 0.25 | <3 | 6.5 | <+0.062 |
| 1N5238 | 8.7 | 20 | <8 | <600 | 0.25 | <3 | 6.5 | <+0.065 |
| 1N5239 | 9.1 | 20 | <10 | <600 | 0.25 | <3 | 7 | <+0.068 |
| 1N5240 | 10 | 20 | <17 | <600 | 0.25 | <3 | 8 | <+0.075 |
| 1N5241 | 11 | 20 | <22 | <600 | 0.25 | <2 | 8.4 | <+0.076 |
| 1N5242 | 12 | 20 | <30 | <600 | 0.25 | <1 | 9.1 | <+0.077 |
| 1N5243 | 13 | 9.5 | <13 | <600 | 0.25 | <0.5 | 9.9 | <+0.079 |
| 1N5244 | 14 | 9 | <15 | <600 | 0.25 | <0.1 | 10 | <+0.082 |
| 1N5245 | 15 | 8.5 | <16 | <600 | 0.25 | <0.1 | 11 | <+0.082 |
| 1N5246 | 16 | 7.8 | <17 | <600 | 0.25 | <0.1 | 12 | <+0.083 |
| 1N5247 | 17 | 7.4 | <19 | <600 | 0.25 | <0.1 | 13 | <+0.084 |
| 1N5248 | 18 | 7 | <21 | <600 | 0.25 | <0.1 | 14 | <+0.085 |
| 1N5249 | 19 | 6.6 | <23 | <600 | 0.25 | <0.1 | 14 | <+0.086 |
| 1N5250 | 20 | 6.2 | <25 | <600 | 0.25 | <0.1 | 15 | <+0.086 |
| 1N5251 | 22 | 5.6 | <29 | <600 | 0.25 | <0.1 | 17 | <+0.087 |
| 1N5252 | 24 | 5.2 | <33 | <600 | 0.25 | <0.1 | 18 | <+0.088 |
| 1N5253 | 25 | 5 | <35 | <600 | 0.25 | <0.1 | 19 | <+0.089 |
| 1N5254 | 27 | 4.6 | <41 | <600 | 0.25 | <0.1 | 21 | <+0.090 |
| 1N5255 | 28 | 4.5 | <44 | <600 | 0.25 | <0.1 | 21 | <+0.091 |
| 1N5256 | 30 | 4.2 | <49 | <600 | 0.25 | <0.1 | 23 | <+0.091 |
| 1N5257 | 33 | 3.8 | <58 | <700 | 0.25 | <0.1 | 25 | <+0.092 |
| 1N5258 | 36 | 3.4 | <70 | <700 | 0.25 | <0.1 | 27 | <+0.093 |
| 1N5259 | 39 | 3.2 | <80 | <800 | 0.25 | <0.1 | 30 | <+0.094 |
| 1N5260 | 43 | 3 | <93 | <900 | 0.25 | <0.1 | 33 | <+0.095 |
| 1N5261 | 47 | 2.7 | <105 | <1000 | 0.25 | <0.1 | 36 | <+0.095 |
| 1N5262 | 51 | 2.5 | <125 | <1100 | 0.25 | <0.1 | 39 | <+0.096 |
| 1N5263 | 56 | 2.2 | <150 | <1300 | 0.25 | <0.1 | 43 | <+0.096 |
| 1N5264 | 60 | 2.1 | <170 | <1400 | 0.25 | <0.1 | 46 | <+0.097 |
| 1N5265 | 62 | 2 | <185 | <1400 | 0.25 | <0.1 | 47 | <+0.097 |
| 1N5266 | 68 | 1.8 | <230 | <1600 | 0.25 | <0.1 | 52 | <+0.097 |

1N5267 THRU 1N5281 SILICON PLANAR ZENER DIODES

| Type | Zener Voltage range ¹⁾ | | Maximum zener impedance ²⁾ | | | Maximum Reverse Leakage Current | | Temp Coefficient of zener voltage |
|--------|-----------------------------------|-----------------|---|-------|------|--|-----|-----------------------------------|
| | V _{ZNOM} ³⁾ | I _{ZT} | r _{Zk} and r _{Zjk} at I _{Zk} | | | I _R ²⁾ at V _R | | TK _{Vz} |
| | V | mA | Ω | Ω | mA | μA | V | %/K |
| 1N5267 | 75 | 1.7 | <270 | <1700 | 0.25 | <0.1 | 56 | <+0.098 |
| 1N5268 | 82 | 1.5 | <330 | <2000 | 0.25 | <0.1 | 62 | <+0.098 |
| 1N5269 | 87 | 1.4 | <370 | <2200 | 0.25 | <0.1 | 68 | <+0.099 |
| 1N5270 | 91 | 1.4 | <400 | <2300 | 0.25 | <0.1 | 69 | <+0.099 |
| 1N5271 | 100 | 1.3 | <500 | -- | -- | <0.1 | 75 | <+0.100 |
| 1N5272 | 110 | 1.2 | <700 | -- | -- | <0.1 | 83 | <+0.100 |
| 1N5273 | 120 | 1 | <950 | -- | -- | <0.1 | 90 | <+0.100 |
| 1N5274 | 130 | 0.95 | <1100 | -- | -- | <0.1 | 98 | <+0.110 |
| 1N5275 | 140 | 0.9 | <1300 | -- | -- | <0.1 | 105 | <+0.110 |
| 1N5276 | 150 | 0.85 | <1500 | -- | -- | <0.1 | 113 | <+0.110 |
| 1N5277 | 160 | 0.8 | <1700 | -- | -- | <0.1 | 120 | <+0.115 |
| 1N5278 | 170 | 0.74 | <1900 | -- | -- | <0.1 | 127 | <+0.115 |
| 1N5279 | 180 | 0.68 | <2200 | -- | -- | <0.1 | 135 | <+0.120 |
| 1N5280 | 190 | 0.66 | <2400 | -- | -- | <0.1 | 142 | <+0.120 |
| 1N5281 | 200 | 0.65 | <2500 | -- | -- | <0.1 | 150 | <+0.120 |

1) Tested with pulses t_p=20ms.

2) The zener impedance is derived from the 50Hz AC voltage which results when an AC current having an RMS value equal to 10% of the Zener current (I_{ZT} or I_{Zk}) is superimposed on I_{ZT} or I_{Zk}. Zener impedance is measured at two points to insure a sharp knee on the breakdown curve and to eliminate unstable units.

3) Measured under thermal equilibrium and DC test conditions.

4) Valid provided that leads at a distance of 8mm from case are kept at ambient temperature.

1N5220 THRU 1N5281 SILICON PLANAR ZENER DIODES

Admissible power dissipation versus ambient temperature
(Valid provided that leads at a distance of 10mm from case
are kept at ambient temperature)

