

Features

- High temperature metallurgically bonded construction
- Sintered glass cavity free junction
- Compliant to environmental standard of MIL-S-19500
- High temperature soldering guaranteed
- 350°C /10sec/0.375"lead length at 5 lbs tension

Mechanical Data

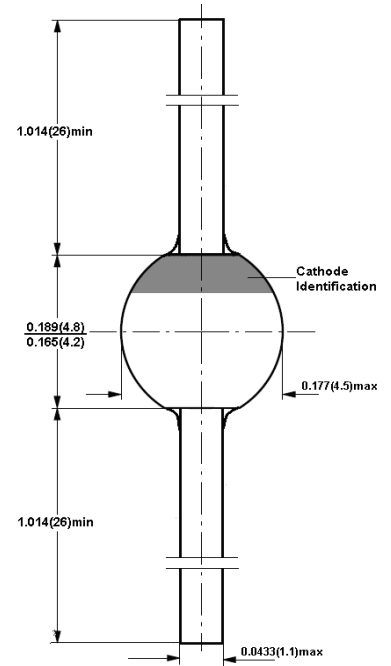
- Terminal: Plated axial leads solderable per J-STD-002
- Case: G-4 sintered glass case
- Polarity: color band denotes cathode

Marking

- 1N5552

Applications

- General rectifier applications including bridges and half bridges.



Package: G4

All dimensions in inches (millimeters)

Maximum Ratings and Electrical Characteristics

($T_A=25^\circ\text{C}$ unless otherwise specified)

Parameter	Symbol	1N5552	Unit
Maximum Recurrent Peak Reverse Voltage	V_{rrm}	600	V
Maximum RMS Voltage	V_{rms}	420	V
Maximum DC blocking Voltage	V_{dc}	600	V
Maximum Reverse Breakdown Voltage $I_R=50\mu\text{A}$	V_{BR}	660	V
Maximum Average Forward Rectified Current 3/8"lead length at $T_a = 55^\circ\text{C}$	$I_{f(av)}$	3.0	A
Peak Forward Surge Current 8.3ms single Half sine-wave superimposed on rated load	I_{fsm}	100	A
Maximum Instantaneous Forward Voltage at 9.0A	V_f	1.2	V
Maximum DC Reverse Current $T_a = 25^\circ\text{C}$ at rated DC blocking voltage $T_a = 150^\circ\text{C}$	I_r	1.0 100.0	μA
Typical Reverse Recovery Time (Note 1)	T_{rr}	2.0	μs
Typical Junction Capacitance (Note 2)	C_j	40.0	pF
Typical Thermal Resistance (Note 3)	$R_{th(ja)}$	20.0	$^\circ\text{C/W}$
Storage and Operating Junction Temperature	T_{stg}, T_j	-65 to +175	$^\circ\text{C}$

Note:

1. Reverse Recovery Condition $I_f = 0.5\text{A}$, $I_r = 1.0\text{A}$, $I_{rr} = 0.25\text{A}$
2. Measured at 1.0 MHz and applied reverse voltage of 4.0Vdc
3. Thermal Resistance from Junction to Ambient at 3/8"lead length, P.C. Board Mounted

Ratings and Characteristic Curves

