

Technical Data

DIODE



maximum ratings

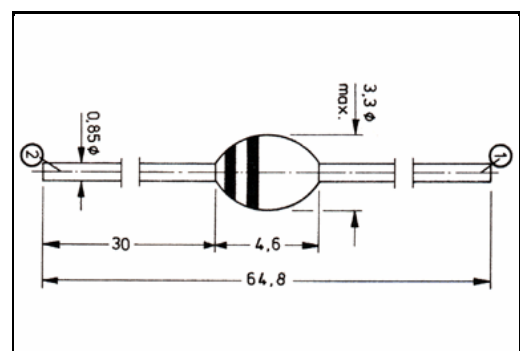
| | | | | |
|-------------------------------------------|-------|------|------|-----------|
| Voltage, Reverse (VR) | 600.0 | V | NO. | 1N5618 |
| Voltage, Reverse Peak (VRM) | 600.0 | V | TYPE | SILICON |
| Current at VR = 0V (IO) | | A | | RECTIFIER |
| Current Average Rectified (IF) | 1.0 | A | | |
| Current Surge Peak (IFM) | | A | CASE | SOD-57 |
| Current, Surge (IFM) at tp = 10 ms | 50.0 | A | | |
| Max. Power Dissipation (PT) at TC = 25 °C | | W | | |
| Max. Thermal Resistance (Rth J-A) | 50.0 | °C/W | | |
| Max. Junction Temperature (TJ) | 200.0 | °C | | |

PERFORMANCE CHARACTERISTICS at $T_c = 25^\circ\text{C}$, unless otherwise noted

| NO. | SYMBOL | CONDITIONS | MIN. | MAX. | UNITS |
|-----|--------|--------------------------------------|------|------|-------|
| 1. | VF | IF = 1.0 A (1) | - | 1.2 | V |
| 2. | IR | VR = 600.0 V | - | 0.5 | μA |
| 3. | IR | VR = 600.0 V, TA = 100.0 °C | - | 25.0 | μA |
| 4. | trr | IF = 0.5 A, IR = 1.0 A, irr = 0.25 A | - | 2.0 | μs |
| 5. | CT | VR = 12.0 V, f = 1.0 MHz | - | 50.0 | pF |
| 6. | | | | | |
| 7. | | | | | |
| 8. | | | | | |
| 9. | | | | | |
| 10. | | | | | |
| 11. | | | | | |
| 12. | | | | | |
| 13. | | | | | |
| 14. | | | | | |
| 15. | | | | | |
| 16. | | | | | |
| 17. | | | | | |
| 18. | | | | | |
| 19. | | | | | |
| 20. | | | | | |

Notes (1) pulse-tested $t_p \leq 300 \mu\text{s}$, duty cycle $\leq 2\%$

DIMENSIONS
in mm



Marking 5618
Customer GENERAL PURPOSE