

Technical Data

DIODE



maximum ratings

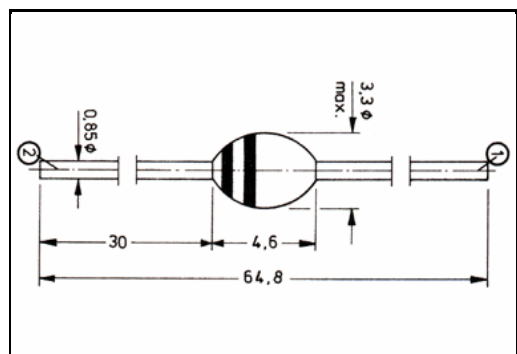
Voltage, Reverse (VR)	1000.0	V	NO.	1N5622-M
Voltage, Reverse Peak (VRM)	1000.0	V	TYPE	SILICON
Current at VR = 0V (IO)		A		RECTIFIER
Current Average Rectified (IF)	1.0	A		
Current Surge Peak (IFM)		A	CASE	SOD-57
Current, Surge (IFM) at tp = 10 ms	50.0	A		MIL-S-19500
Max. Power Dissipation (PT) at TC = 25 °C		W		BURN-IN 48h/125°C
Max. Thermal Resistance (Rth J-A)	50.0	°C/W		
Max. Junction Temperature (TJ)	200.0	°C		

PERFORMANCE CHARACTERISTICS at T_c = 25°C, unless otherwise noted

NO.	SYMBOL	CONDITIONS	MIN.	MAX.	UNITS
1.	VF	IF = 1.0 A (1)	-	1.2	V
2.	IR	VR = 1000.0 V	-	0.5	μA
3.	IR	VR = 1000.0 V, TA = 100.0 °C	-	25.0	μA
4.	trr	IF = 0.5 A, IR = 1.0 A, irr = 0.25 A	-	2.0	μs
5.	CT	VR = 12.0 V, f = 1.0 MHz	-	50.0	pF
6.					
7.					
8.					
9.					
10.					
11.					
12.					
13.					
14.					
15.					
16.					
17.					
18.					
19.					
20.					

Notes (1) pulse-tested tp ≤ 300 μs, duty cycle ≤ 2 %

DIMENSIONS in mm



Marking 5622-M+GREEN DOT
 Customer GENERAL PURPOSE