

1500W Unipolar TVS Diode

Qualified per MIL-PRF-19500/500

DESCRIPTION:

This voidless hermetically sealed unipolar TVS diode series is military qualified per MIL-PRF-19500/500 and is targeted for space, commercial and military aircraft, military vehicles, shipboard markets and all high reliability applications.

FEATURES / BENEFITS:

- ✓ Hermetic sealed DO-13 package
- ✓ Category I Metallurgically bonded
- ✓ Parts are hot solder dipped
- ✓ JAN/ JANTX/ JANTXV available per MIL -PRF-19500/500

MAXIMUM RATINGS

- ✓ Operating & Storage Temperature: -65°C to +175°C
- ✓ Junction Temperature: -65°C to +155°C

ELECTRICAL CHARACTERISTICS

SERIES TYPE	MIN BREAKDOWN VOLTAGE $V_{(BR)}$ @ $I_{(BR)}$		WORKING PEAK REVERSE VOLTAGE VRWM	MAXIMUM STANDBY CURRENT I_D	MAX. CLAMP. VOLTAGE VC @ I_{pp} tp = 1ms	MAX. PEAK PULSE CURRENT tp = 1ms, tr = 10µs I_{pp}	MAX. TEMP. COEFFICIENT $V_{(BR)}$
	Vdc	mA dc					
1500W	Vdc	mA dc	Vdc	µAdc	V(pk)	A(pk)	% / °C
1N5635A	11.40	1	10.20	5	16.7	90.0	.078
1N5636A	12.40	1	11.10	5	18.2	82.0	.081
1N5637A	14.30	1	12.80	5	21.2	71.0	.084
1N5638A	15.20	1	13.60	5	22.5	67.0	.086
1N5639A	17.10	1	15.30	5	25.2	59.5	.088
1N5640A	19.00	1	17.10	5	27.7	54.0	.090
1N5641A	20.90	1	18.80	5	30.6	49.0	.092
1N5642A	22.80	1	20.50	5	33.2	45.0	.094
1N5643A	25.70	1	23.10	5	37.5	40.0	.096
1N5644A	28.50	1	25.60	5	41.4	36.0	.097
1N5645A	31.40	1	28.20	5	45.7	33.0	.098
1N5555	33.00	1	30.50	5	47.5	32.0	.093
1N5646A	34.20	1	30.80	5	49.9	30.0	.099
1N5647A	37.10	1	33.30	5	53.9	28.0	.100
1N5648A	40.90	1	36.80	5	59.3	25.3	.101
1N5556	43.70	1	40.30	5	63.5	24.0	.094
1N5649A	44.70	1	40.20	5	64.8	23.2	.101
1N5650A	48.50	1	43.60	5	70.1	21.4	.102
1N5651A	53.20	1	47.80	5	77.0	19.5	.103

SENSITRON **SEMICONDUCTOR**

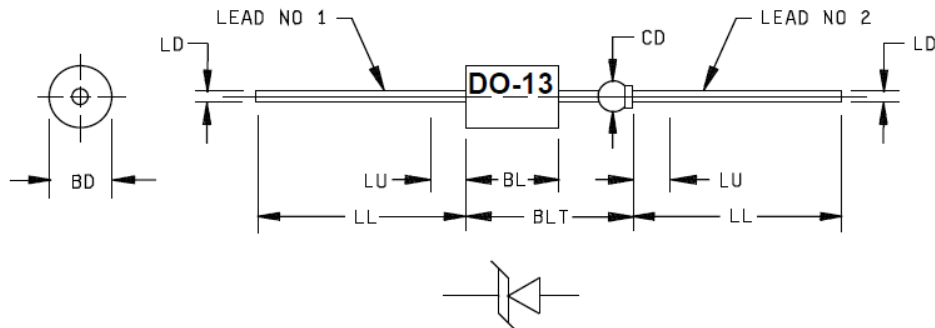
**1N5555, 1N5556, 1N5557,
1N5635A thru 1N5661A**

**1500W Transient Voltage
Suppressor Diodes**

TECHNICAL DATA DATA SHEET 5501, REV. -

SERIES TYPE	MIN BREAKDOWN VOLTAGE $V_{(BR)}$ @ $I_{(BR)}$		WORKING PEAK REVERSE VOLTAGE V_{RWM}	MAXIMUM STANDBY CURRENT I_D	MAX. CLAMP. VOLTAGE V_C @ I_{PP} $t_p = 1ms$	MAX. PEAK PULSE CURRENT $t_p = 1ms, t_r = 10\mu s$ I_{PP}	MAX. TEMP. COEFFICIENT $V_{(BR)}$
	Vdc	mA dc					
1500W	Vdc	mA dc	Vdc	μA_{dc}	V(pk)	A(pk)	% / °C
1N5557	54.00	1	49.00	5	78.5	19.0	.096
1N5652A	58.90	1	53.00	5	85.0	17.7	.104
1N5653A	64.60	1	58.10	5	92.0	16.3	.104
1N5654A	71.30	1	64.10	5	103.0	14.6	.105
1N5655A	77.90	1	70.10	5	113.0	13.3	.105
1N5656A	86.50	1	77.80	5	125.0	12.0	.106
1N5657A	95.00	1	85.50	5	137.0	11.0	.106
1N5658A	105.00	1	94.00	5	152.0	9.9	.107
1N5659A	114.00	1	102.00	5	165.0	9.1	.107
1N5660A	124.00	1	111.00	5	179.0	8.4	.107
1N5661A	143.00	1	128.00	5	207.0	7.2	.108

PACKAGE DIMENSIONS (inches/mm)



Symbol	Dimensions				Notes
	Inches		Millimeters		
	Min	Max	Min	Max	
BD	.215	.235	5.46	5.97	
BL	.293	.357	7.44	9.07	3
BLT		.570		14.48	
CD	.045	.100	1.14	2.54	5
LD	.025	.035	0.64	0.89	
LL	1.000	1.625	25.40	41.28	4
LU		.188		4.78	4

NOTES:

1. Dimensions are in inches.
2. Millimeters are given for general information only.
3. The major diameter is essentially constant along its length.
4. Within this zone, diameter may vary to allow for lead finishes and irregularities.
5. Dimension to allow for pinch or seal deformation anywhere along tubulation.
6. Lead 1 (cathode) shall be electrically connected to the case.
7. In accordance with ASME Y14.5M, diameters are equivalent to Φ x symbology.

PKG: DO-13

SENSITRON

SEMICONDUCTOR

**1N5555, 1N5556, 1N5557,
1N5635A thru 1N5661A**

**1500W Transient Voltage
Suppressor Diodes**

TECHNICAL DATA

DATA SHEET 5501, REV. -

PART ORDERING INFORMATION

The following part numbers can be screened and tested to the military screening flow. The parts are marked in accordance with the testing performed, example:

Sensitron Screening Level	*Part Number-- Leaded Package (example for 1N5555)
1N	1N5555
JAN	JAN1N5555
SJ	SJ5555
JANTX	JANTX1N5555
SX	SX5555
JANTXV	JANTXV1N5555
SV	SV5555

*Parts can also be ordered Tape & Reel

DISCLAIMER:

- 1- The information given herein, including the specifications and dimensions, is subject to change without prior notice to improve product characteristics. Before ordering, purchasers are advised to contact the Sensitron Semiconductor sales department for the latest version of the datasheet(s).
- 2- In cases where extremely high reliability is required (such as use in nuclear power control, aerospace and aviation, traffic equipment, medical equipment, and safety equipment), safety should be ensured by using semiconductor devices that feature assured safety or by means of users' fail-safe precautions or other arrangement.
- 3- In no event shall Sensitron Semiconductor be liable for any damages that may result from an accident or any other cause during operation of the user's units according to the datasheet(s). Sensitron Semiconductor assumes no responsibility for any intellectual property claims or any other problems that may result from applications of information, products or circuits described in the datasheets.
- 4- In no event shall Sensitron Semiconductor be liable for any failure in a semiconductor device or any secondary damage resulting from use at a value exceeding the absolute maximum rating.
- 5- No license is granted by the datasheet(s) under any patents or other rights of any third party or Sensitron Semiconductor.
- 6- The datasheet(s) may not be reproduced or duplicated, in any form, in whole or part, without the expressed written permission of Sensitron Semiconductor.
- 7- The products (technologies) described in the datasheet(s) are not to be provided to any party whose purpose in their application will hinder maintenance of international peace and safety nor are they to be applied to that purpose by their direct purchasers or any third party. When exporting these products (technologies), the necessary procedures are to be taken in accordance with related laws and regulations.